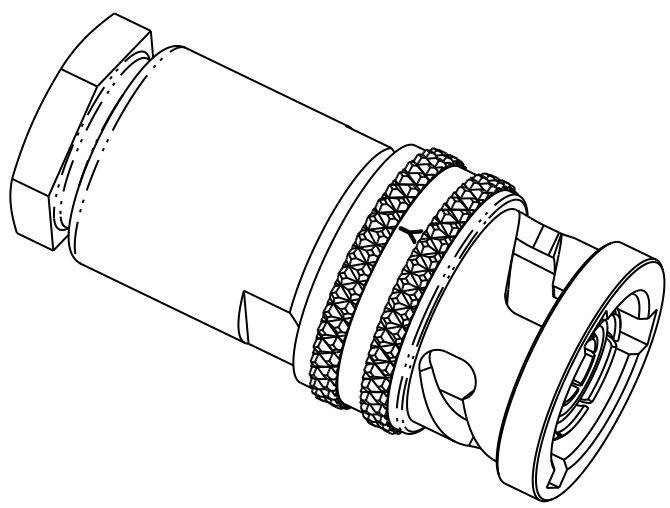
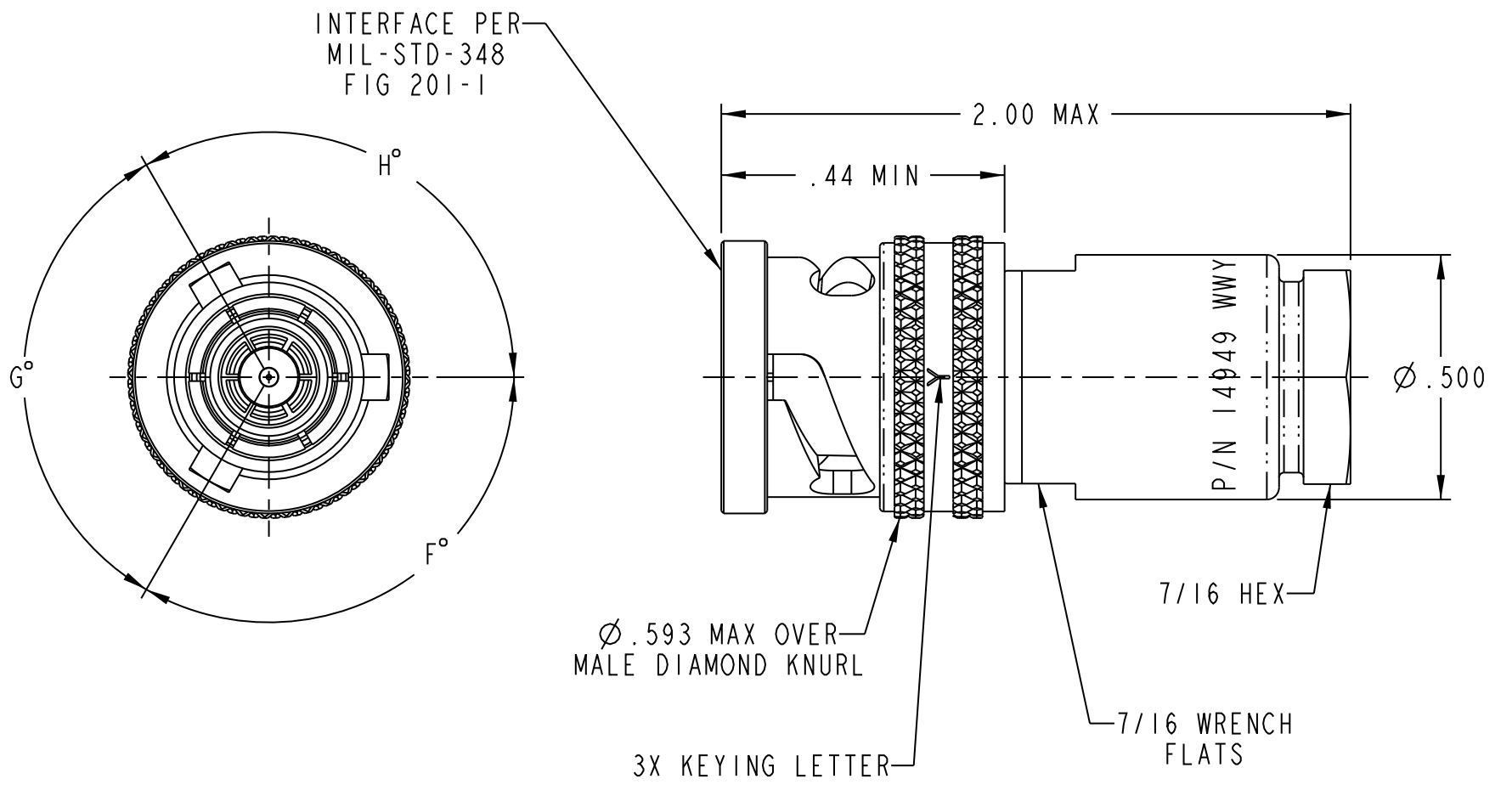


TABLE 1						
MILITARY PART NUMBER	MILITARY CABLE NUMBER	TEI DASH #	KEYING LETTER	ASSEMBLE PER	CABLE TYPE	NSN #
M49142/03-0001	M17/134-00001 M17/134-00003	7	NONE	TAI-189	TRIAX	5935011636242
M49142/03-0101	M17/134-00001 M17/134-00003	7	Y	TAI-189	TRIAX	—
M49142/03-0201	M17/134-00001 M17/134-00003	7	S	TAI-189	TRIAX	—
M49142/03-0002	M17/134-00002 M17/134-00004	7	NONE	TAI-189	TRIAX	5935014397867
M49142/03-0102	M17/134-00002 M17/134-00004	7	Y	TAI-189	TRIAX	—
M49142/03-0202	M17/134-00002 M17/134-00004	7	S	TAI-189	TRIAX	—
M49142/03-0005	M17/116-RG307	41A	NONE	TAI-250	TRIAX	5935014238648
M49142/03-0105	M17/116-RG307	41A	Y	TAI-250	TRIAX	—
M49142/03-0205	M17/116-RG307	41A	S	TAI-250	TRIAX	—
M49142/03-0007	M17/45-RG108 M17/186-00008	9	NONE	TAI-102	TWINAX	5935013358935
M49142/03-0107	M17/45-RG108 M17/186-00008	9	Y	TAI-102	TWINAX	—
M49142/03-0207	M17/45-RG108 M17/186-00008	9	S	TAI-102	TWINAX	—
M49142/03-0008	M17/176-00002	47	NONE	TAI-102	TWINAX	5935013783905
M49142/03-0108	M17/176-00002	47	Y	TAI-102	TWINAX	5935014277109
M49142/03-0208	M17/176-00002	47	S	TAI-102	TWINAX	—
M49142/03-0009	M17/177-00001	60	NONE	TAI-189	TRIAX	5935014675369
M49142/03-0109	M17/177-00001	60	Y	TAI-189	TRIAX	5935014675370
M49142/03-0209	M17/177-00001	60	S	TAI-189	TRIAX	—

TABLE 2			
KEYING LETTER	F°	G°	H°
NONE	120	120	120
Y	110	140	110
S	135	135	90

REVISIONS			
REV	DESCRIPTIONS	DATE	APPROVED
BU	ECO 54729	9/25/13	C. MONAHAN

DATA CONTAINED IN THIS DOCUMENT IS PROPRIETARY TO EMERSON CONNECTIVITY SOLUTIONS AND SHALL NOT BE DISCLOSED, COPIED OR USED FOR PROCUREMENT OR MANUFACTURE WITHOUT EXPRESS WRITTEN PERMISSION



NOTES: UNLESS OTHERWISE SPECIFIED.

INTERPRET DRAWING PER MIL-STD-100. DIMENSIONS ARE IN INCHES AND INCLUDE FINISH THICKNESS UNLESS OTHERWISE SPECIFIED.		TOL: UNLESS SPECIFIED. .XX ± .02 .XXX ± .010 .XXXX ± .0005 ANGLE ± 1° 00'		 Connectivity Solutions 299 Johnson Ave. Ste. 100 Waseca, MN 56093 1-800-247-8256	
DRN C. WALLACE	9/25/13	MATERIAL:	TITLE: M49142/03 WRENCH CRIMP PLUG		
CHK C. MONAHAN	10/14/14	FINISH:	SIZE B 14949	DRAWING NO. 310-0083	REV. BU
QUALITY			SCALE 3/1	DATE	SHEET 1 OF 2
MANUF			DO NOT SCALE DWG		
APPROVED					
SURFACE AREA	PROJ/FILE NO. 310-0083				