

OMNI® Low Voltage Dual Technology Acoustic and PIR

CEILING MOUNT OCCUPANCY SENSORS



OMNIDIA

PROJECT INFORMATION

Project Name _____

Catalog No. _____

Date _____

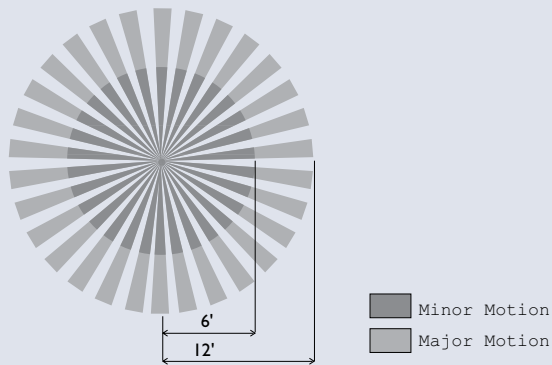
The OMNIDIA combines passive infrared (PIR) and acoustic (sound-activated) technologies to turn lighting systems on and off based on occupancy. The OMNIDIA features Hubbell Controls' patented IntelliDAPT® technology, which makes all the sensor adjustments automatically.

Throughout the product's lifespan, IntelliDAPT software analyzes the controlled area and makes digital adjustments to sensitivity and timer settings. Occupancy sensors with IntelliDAPT technology provide a maintenance-free install-and-forget operation.

PRODUCT FEATURES

- IntelliDAPT self-adaptive technology—no manual adjustment required
- All-digital dual technology (acoustic and passive infrared [PIR]) sensor
- Non-volatile memory for sensor settings
- 450 square-foot coverage
- Optional relay and photocell control
- Optional Quick to Install (QTI) connector
- UL and cUL listed
- California Title 24 compliant
- Five-year limited warranty
- Low Voltage 24 Vdc





General Specifications

IntelliDAPT® Technology	Auto reset from test setting Self-adjusting timer Self-adjusting passive infrared thresholds Automatic false-on/false-off corrections
LED lamp	Red - infrared motion Green - acoustic detection
Timer timeout	Automatic mode: 8–30 min. (self-adjusts based on occupancy) Test mode: 8 seconds (for an easy check at installation)
Passive infrared (PIR)	Dual-element pyrometer and 12-element cylindrical rugged lens
RP option	Relay and photocell included Relay: N/O + N/C contacts; SPDT; 500 mA rated @ 24VDC; three-wire isolated relay Photocell: adjustable natural-light override ranges from 0 to 100 foot-candles (0–1,000 lux)
Coverage	450 square feet
Power requirements	24VDC, 33mA (uses UVPP and MP- Series power pack- not included)
Output	24 VDC active high-logic control signal with short circuit protection and optional dry contact (see RP options)
Operating environment	Indoor use only Operating temperature: 32° to 104°F (0° to 40°C) Relative humidity (non-condensing): 0% to 95%
Construction	Casing—rugged, high-impact, injection-molded plastic KJB ABS Cyclolac (UL-945VA) flame class rating, UV inhibitors Color-coded leads are 6" long
Dimensions	4.5" diameter, 1.5" height (114 mm diameter, 38mm height)
Weight	5.0 oz (142g)
Color	Off-white
Mounting	Mounting base provided Recommended mounting height: 8ft with a max mounting height of 12ft.
Certifications	UL and cUL listed
Warranty	Five-year limited

Ordering Information

OMNI®	DIA		
MODEL	TECHNOLOGY	RELAY/PHOTOCELL OPTION	QTI
OMNI	DIA Dual Technology Acoustic & Passive Infrared	RP Relay & Photocell Blank No Option	QTI Quick to Install Blank No QTI



HUBBELL
Control Solutions