

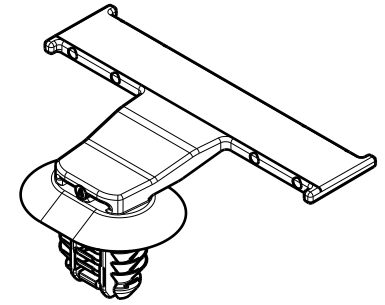
REFERENCE:

PERFORMANCE REQUIREMENTS AT DRY AS MOLDED:

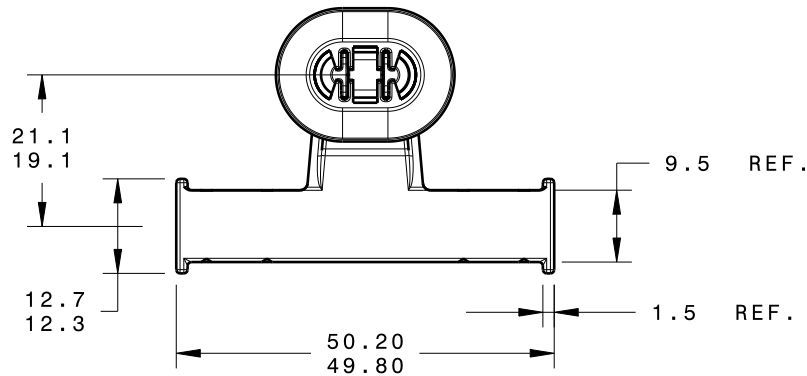
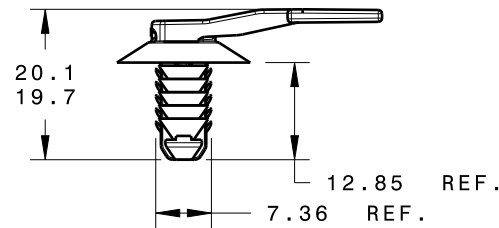
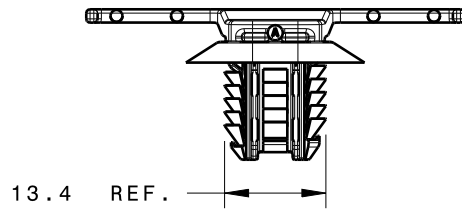
1. SHEET METAL THICKNESS RANGE: 0.60mm - 6.75mm

2. OVAL HOLE SIZES:

- 6.2x12.2 +/-0.2mm
- 6.5x12.5 +/-0.2mm
- 6.5x13.0 +/-0.2mm
- 7.0x12.0 +/-0.2mm



Isometric view



TYPE	MATERIAL	COLOR
SOC11FTOVAL	PA66HIRHS	BLACK
SOC11FTOVAL	PA66HIRHS	NATURAL

INVENTORS

**HellermannTyton**<sup>®</sup>

ALL PROPRIETARY RIGHTS IN THE SUBJECT MATTER SHOWN ON THIS DRAWING ARE EXCLUSIVE PROPERTY OF HELLERMANN TYTON

name	date	city, state
S. ADAMS	11/17/10	MENOMONEE FALLS, WI.

REVISIONS

level	by	date	part level
02	SJA	11/23/11	A

DIMENSIONS

TOLERANCES	units
.XXXX = ± 0.25	millimeters
.XXX = ± 0.50	
.XX = ± 1.00	
.X = ± 2.00	
∠ = ± 0.50	
unless otherwise specified	

PART

number	phase
SEE CHART	PRODUCTION
name	
OVAL HOLE TAPE CLIP 20mm OFFSET	
material	
SEE CHART	

DRAWING

FORMAT	CAD	SCALE
AH	CATIA V5	1:1
VERSION	J	
A- SIZE (landscape)_N01		previous drawing number
drawn	checked	approved
S. ADAMS	P. TRAUTFIED	
11/17/10	3/10/11	
type	sheet 1 of 1	
CUSTOMER		
number	MT10-0979-001CST	

**Product Number**  
**Cross Reference Record**

Uncontrolled Document

<b>Pre-UNS Number System</b>	<b>(New) UNS Universal Number System</b>	<b>Customer Part Number</b>
Product Number  <b>SOC11FTOVAL</b>	Product Number  <b>151-00932</b>	Product Number  <b>-</b>
Reference Drawing Number: <b>MT10-0979-001DTL</b>		

Issued By:	(New) UNS Product Number	Issue Date:
<b>HellermannTyton</b>	<b>Universal Numbering System</b>	<b>March 7, 2012</b>