

LAYOUT SHOWN AS EXAMPLE

Keying Shown as example

CHARACTERISTICS

- Standard : Based on MIL-DTL-38999 Series III
- Shell Material : Aluminium
- Shell Plating : Nickel
- Insulator : Thermoplastic
- Contacts : Copper Alloy
- Seals & Grommet : Silicon Elastomer
- Contact Plating : Gold over copper Alloy 0.8µm minimum
- Durability : 500 Mating cycles
- Delivered with Souriau contacts and Accessories
- Temperature Range : -65°C to +200°C
- Salt Spray : 48 hours
- Mass : 68.7 g ± 10%

| Connector dimension | |
|---------------------|---------------|
| Dim | Nominal |
| P | 3.91±0.2 |
| PP | 6.15±0.2 |
| R1 | 34.93 |
| R2 | 31.75 |
| S | 42.9±0.3 |
| V | 20.07+0/-1.25 |
| W | 2.1/3.2 |
| Z | 31.5 Max |
| VV THREAD | M34x1-6g |

SOURIAU shall not be liable for any non-conformity or damage due to a use of the Products which does not comply with the Specifications issued by either of the Parties or by a third party (professional recommendation, technical notice.)

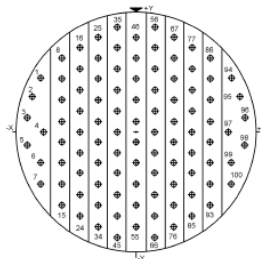
| Country | Jurisdiction & Control List |
|---------|-----------------------------|
| FR | Not Listed |

PN: 8D023F35BA

| | | | |
|--------------|---|--------------------------------|---|
| A | 22-09-2016 | First Release | |
| ISS | DATE | Latest modification - by | MOD N° |
| Designed By: | | Date: | CUSTOMER DRAWING |
| TITLE | Aluminium Receptacle 8D series | | |
| SCALE | | General linear Tolerances: ±-- | NPRDS / PROJECT 859 |
| NA | SOURIAU WWW.SOURIAU.COM | | This document is the property of SOURIAU it must not be reproduced or communicated without permission |
| FORMAT | A3 | | SOURIAU DRG N° 8D023F35BA-C SHEET 1/2 |

| | | | | | | | | |
|---------------|----------------------------|---|---|----|---|----|---|------------------------------------|
| BASIC SERIES: | 8D | 0 | - | 23 | F | 35 | B | A |
| SHELL TYPE | : Square Flange Receptacle | | | | | | | |
| CONTACT TYPE | : Standard Crimp Contact | | | | | | | |
| SHELL SIZE | : 23 | | | | | | | |
| PLATING | : F = Nickel | | | | | | | |
| | | | | | | | | ORIENTATION : A |
| | | | | | | | | CONTACT TYPE : SOCKET(500 Matings) |
| | | | | | | | | CONTACT LAYOUT : 23-35 |

Contact Layout



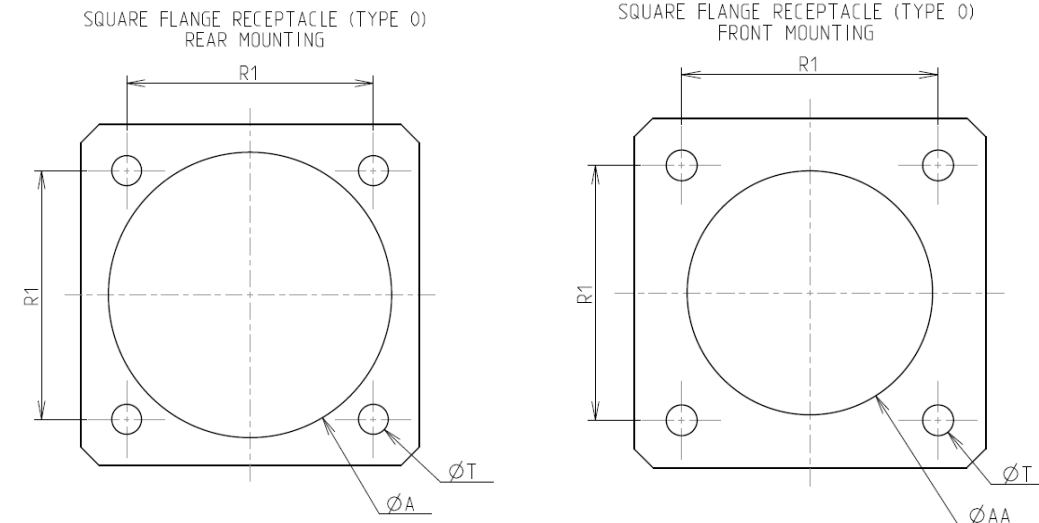
| Contacts (Insert arrangement 23-35) | | | | | |
|--|--------------|-------------|---------------------|-------------|--------------|
| Contact position ID | Location | | Contact position ID | Location | |
| | X-axis (mm) | Y-axis (mm) | | X-axis (mm) | Y-axis (mm) |
| 1 | -428 (10.87) | +241 (6.12) | 51 | +000 (0.00) | -047 (1.19) |
| 2 | -467 (11.86) | +154 (3.91) | 52 | +000 (0.00) | -142 (3.61) |
| 3 | -488 (12.40) | +061 (1.55) | 53 | +000 (0.00) | -237 (6.02) |
| 4 | -415 (10.54) | +000 (0.00) | 54 | +000 (0.00) | -332 (8.43) |
| 5 | -488 (12.40) | -061 (1.55) | 55 | +000 (0.00) | -427 (10.85) |
| 6 | -428 (10.87) | -142 (3.61) | 56 | +083 (2.11) | +475 (12.07) |
| 7 | -428 (10.87) | -237 (6.02) | 57 | +083 (2.11) | +380 (9.65) |
| 8 | -332 (8.43) | +333 (8.46) | 58 | +083 (2.11) | +285 (7.24) |
| 9 | -332 (8.43) | +238 (6.05) | 59 | +083 (2.11) | +190 (4.83) |
| 10 | -332 (8.43) | +143 (3.63) | 60 | +083 (2.11) | +095 (2.41) |
| 11 | -332 (8.43) | +048 (1.22) | 61 | +083 (2.11) | +000 (0.00) |
| 12 | -332 (8.43) | -047 (1.19) | 62 | +083 (2.11) | -095 (2.41) |
| 13 | -332 (8.43) | -142 (3.61) | 63 | +083 (2.11) | -190 (4.83) |
| 14 | -332 (8.43) | -237 (6.02) | 64 | +083 (2.11) | -285 (7.24) |
| 15 | -332 (8.43) | -332 (8.43) | 65 | +083 (2.11) | -380 (9.65) |
| 16 | -249 (6.32) | +380 (9.65) | 66 | +083 (2.11) | -475 (12.07) |
| 17 | -249 (6.32) | +285 (7.24) | 67 | +166 (4.22) | +428 (10.87) |
| 18 | -249 (6.32) | +190 (4.83) | 68 | +166 (4.22) | +333 (8.46) |

| Contacts (Insert arrangement 23-35) | | | | | |
|--|-------------|--------------|---------------------|--------------|--------------|
| Contact position ID | Location | | Contact position ID | Location | |
| | X-axis (mm) | Y-axis (mm) | | X-axis (mm) | Y-axis (mm) |
| 19 | -249 (6.32) | +095 (2.41) | 69 | +166 (4.22) | +238 (6.05) |
| 20 | -249 (6.32) | +000 (0.00) | 70 | +166 (4.22) | +143 (3.63) |
| 21 | -249 (6.32) | -095 (2.41) | 71 | +166 (4.22) | +048 (1.22) |
| 22 | -249 (6.32) | -190 (4.83) | 72 | +166 (4.22) | -047 (1.19) |
| 23 | -249 (6.32) | -285 (7.24) | 73 | +166 (4.22) | -142 (3.61) |
| 24 | -249 (6.32) | -380 (9.65) | 74 | +166 (4.22) | -237 (6.02) |
| 25 | -166 (4.22) | +428 (10.87) | 75 | +166 (4.22) | -332 (8.43) |
| 26 | -166 (4.22) | +333 (8.46) | 76 | +166 (4.22) | -427 (10.85) |
| 27 | -166 (4.22) | +238 (6.05) | 77 | +249 (6.32) | +380 (9.65) |
| 28 | -166 (4.22) | +143 (3.63) | 78 | +249 (6.32) | +285 (7.24) |
| 29 | -166 (4.22) | +048 (1.22) | 79 | +249 (6.32) | +190 (4.83) |
| 30 | -166 (4.22) | -047 (1.19) | 80 | +249 (6.32) | +095 (2.41) |
| 31 | -166 (4.22) | -142 (3.61) | 81 | +249 (6.32) | +000 (0.00) |
| 32 | -166 (4.22) | -237 (6.02) | 82 | +249 (6.32) | -095 (2.41) |
| 33 | -166 (4.22) | -332 (8.43) | 83 | +249 (6.32) | -190 (4.83) |
| 34 | -166 (4.22) | -427 (10.85) | 84 | +249 (6.32) | -285 (7.24) |
| 35 | -083 (2.11) | +475 (12.07) | 85 | +249 (6.32) | -380 (9.65) |
| 36 | -083 (2.11) | +380 (9.65) | 86 | +332 (8.43) | +333 (8.46) |
| 37 | -083 (2.11) | +285 (7.24) | 87 | +332 (8.43) | +238 (6.05) |
| 38 | -083 (2.11) | +190 (4.83) | 88 | +332 (8.43) | +143 (3.63) |
| 39 | -083 (2.11) | +095 (2.41) | 89 | +332 (8.43) | +048 (1.22) |
| 40 | -083 (2.11) | +000 (0.00) | 90 | +332 (8.43) | -047 (1.19) |
| 41 | -083 (2.11) | -095 (2.41) | 91 | +332 (8.43) | -142 (3.61) |
| 42 | -083 (2.11) | -190 (4.83) | 92 | +332 (8.43) | -237 (6.02) |
| 43 | -083 (2.11) | -285 (7.24) | 93 | +332 (8.43) | -332 (8.43) |
| 44 | -083 (2.11) | -380 (9.65) | 94 | +428 (10.87) | +241 (6.12) |
| 45 | -083 (2.11) | -475 (12.07) | 95 | +467 (11.86) | +154 (3.91) |
| 46 | +000 (0.00) | +428 (10.87) | 96 | +488 (12.40) | +061 (1.55) |

| Contacts (Insert arrangement 23-35) | | | | | |
|--|-------------|-------------|---------------------|--------------|-------------|
| Contact position ID | Location | | Contact position ID | Location | |
| | X-axis (mm) | Y-axis (mm) | | X-axis (mm) | Y-axis (mm) |
| 47 | +000 (0.00) | +333 (8.46) | 97 | +415 (10.54) | +000 (0.00) |
| 48 | +000 (0.00) | +238 (6.05) | 98 | +488 (12.40) | -061 (1.55) |
| 49 | +000 (0.00) | +143 (3.63) | 99 | +428 (10.87) | -142 (3.61) |
| 50 | +000 (0.00) | +048 (1.22) | 100 | +428 (10.87) | -237 (6.02) |

| (Applicable to MIL-DTL-38999 only) | | | | | | |
|------------------------------------|-----------------|--------------------|---------------|----------------|------------------|------------|
| Shell size | Arrangement no. | Number of contacts | Size contacts | Service rating | Contact location | Supersedes |
| 23 | -35 | 100 | 220 | M | All | MS27532-35 |

Panel Cutout



| Dim | Nominal |
|-----|------------|
| ØA | 39.29 min |
| ØAA | 34.93 min |
| R1 | 34.93 |
| ØT | 3.91 ±0.13 |

SOURIAU shall not be liable for any non-conformity or damage due to a use of the Products which does not comply with the Specifications issued by either of the Parties or by a third party (professional recommendation, technical notice.)

| Country | Jurisdiction & Control List |
|---------|-----------------------------|
| FR | Not Listed |

PN: 8D023F35BA

| | | | |
|----------------|--------------------------------|--------------------------------|---|
| A | 22-09-2016 | First Release | |
| ISS | DATE | Latest modification - by | MOD N° |
| Designed By: | | Date: | CUSTOMER DRAWING |
| TITLE | | Aluminium Receptacle 8D series | |
| SCALE | NA | General linear Tolerances: ±-- | NPRDS / PROJECT 859 |
| SOURIAU | | WWW.SOURIAU.COM | |
| | | | This document is the property of SOURIAU it must not be reproduced or communicated without permission |
| FORMAT | SOURIAU DRG N° 8D023F35BA-C | | SHEET 2/2 |