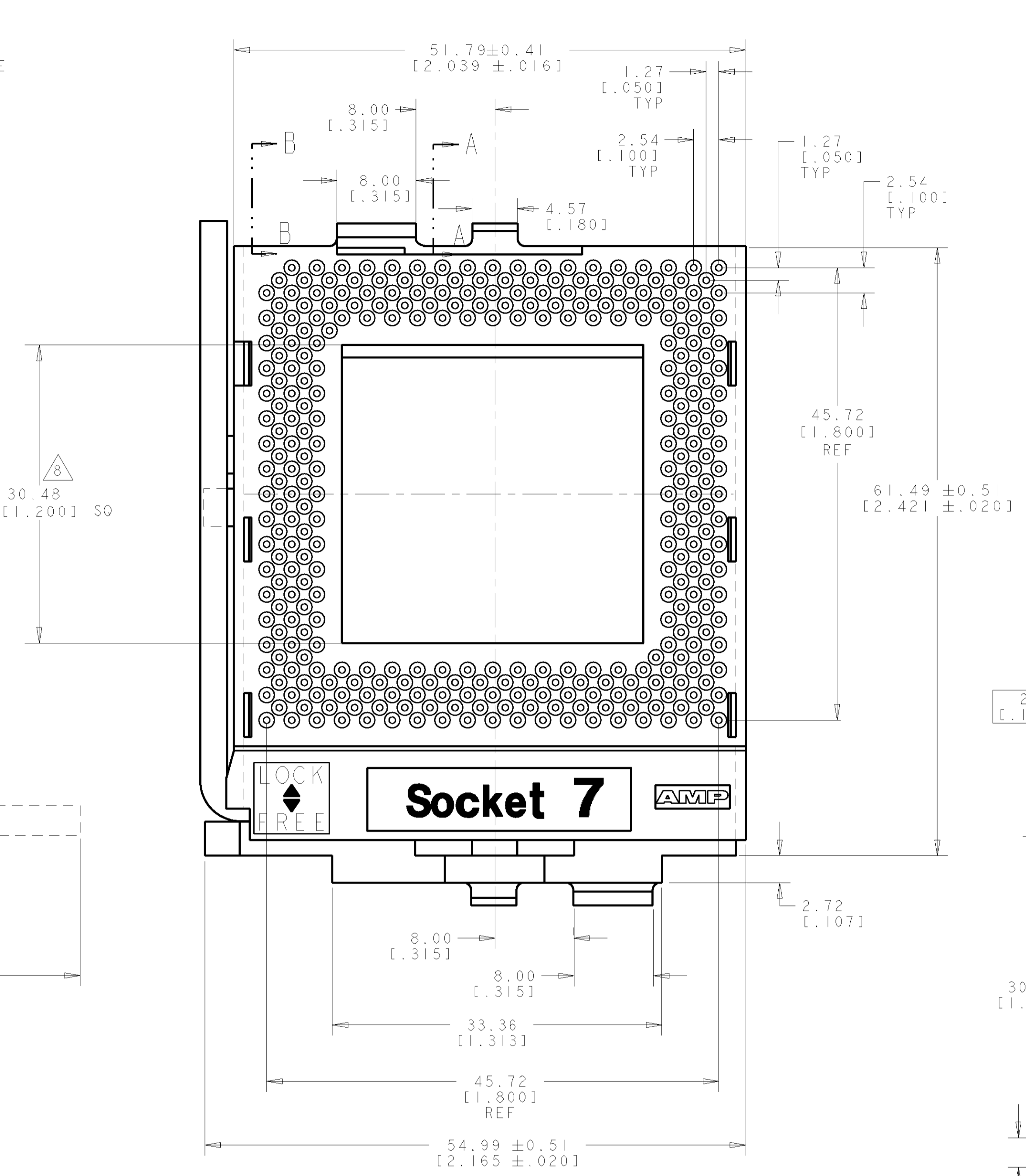
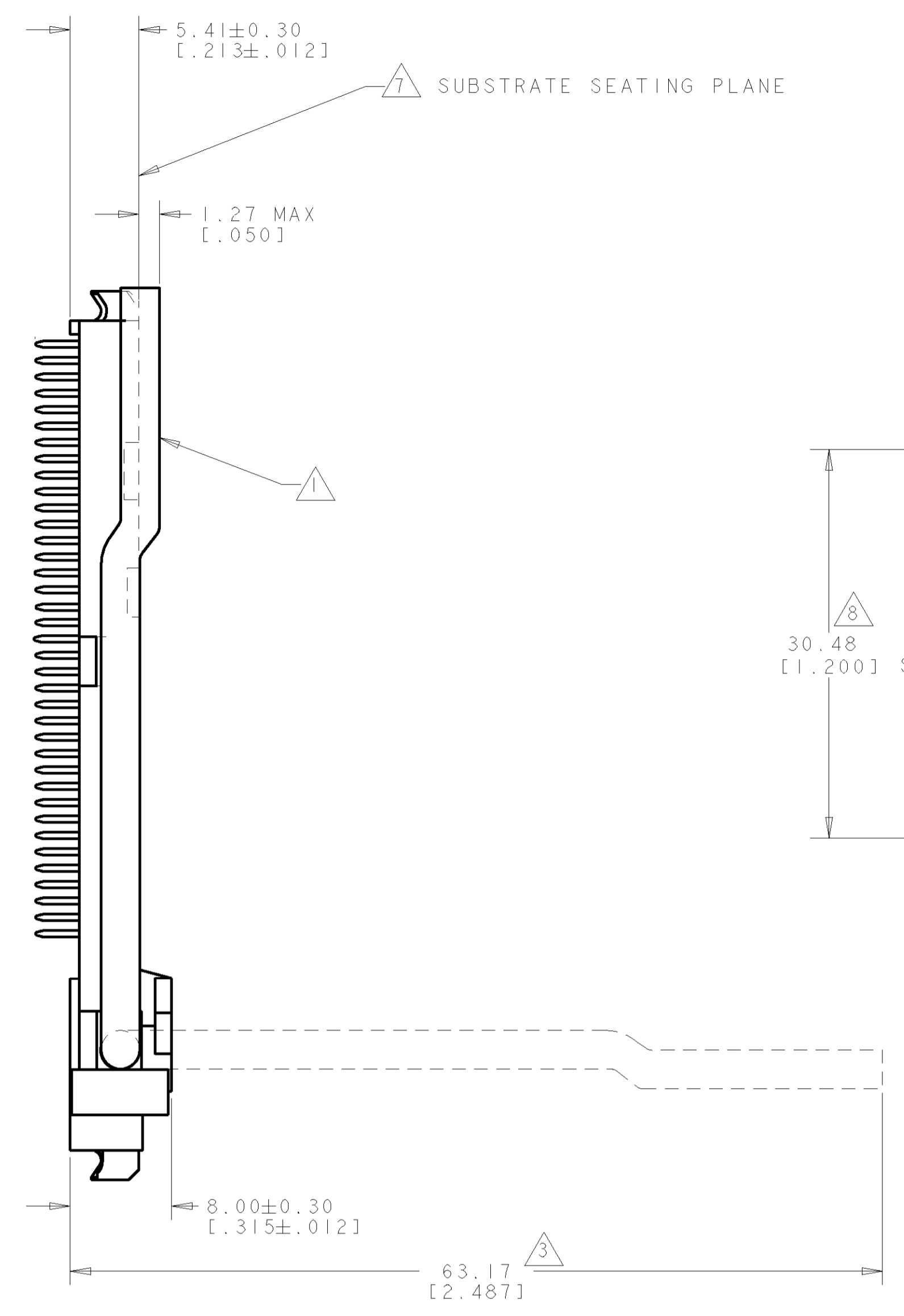
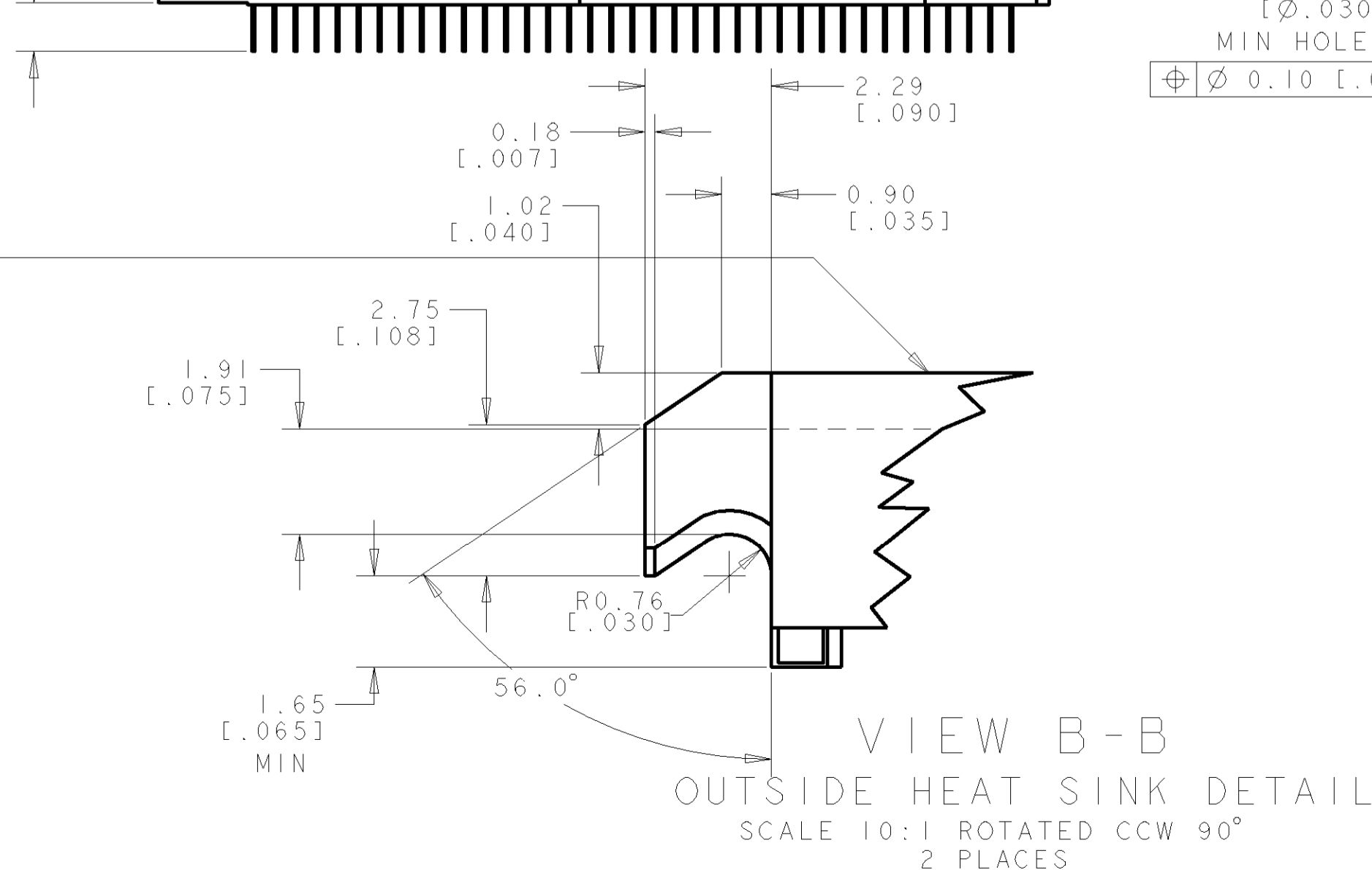
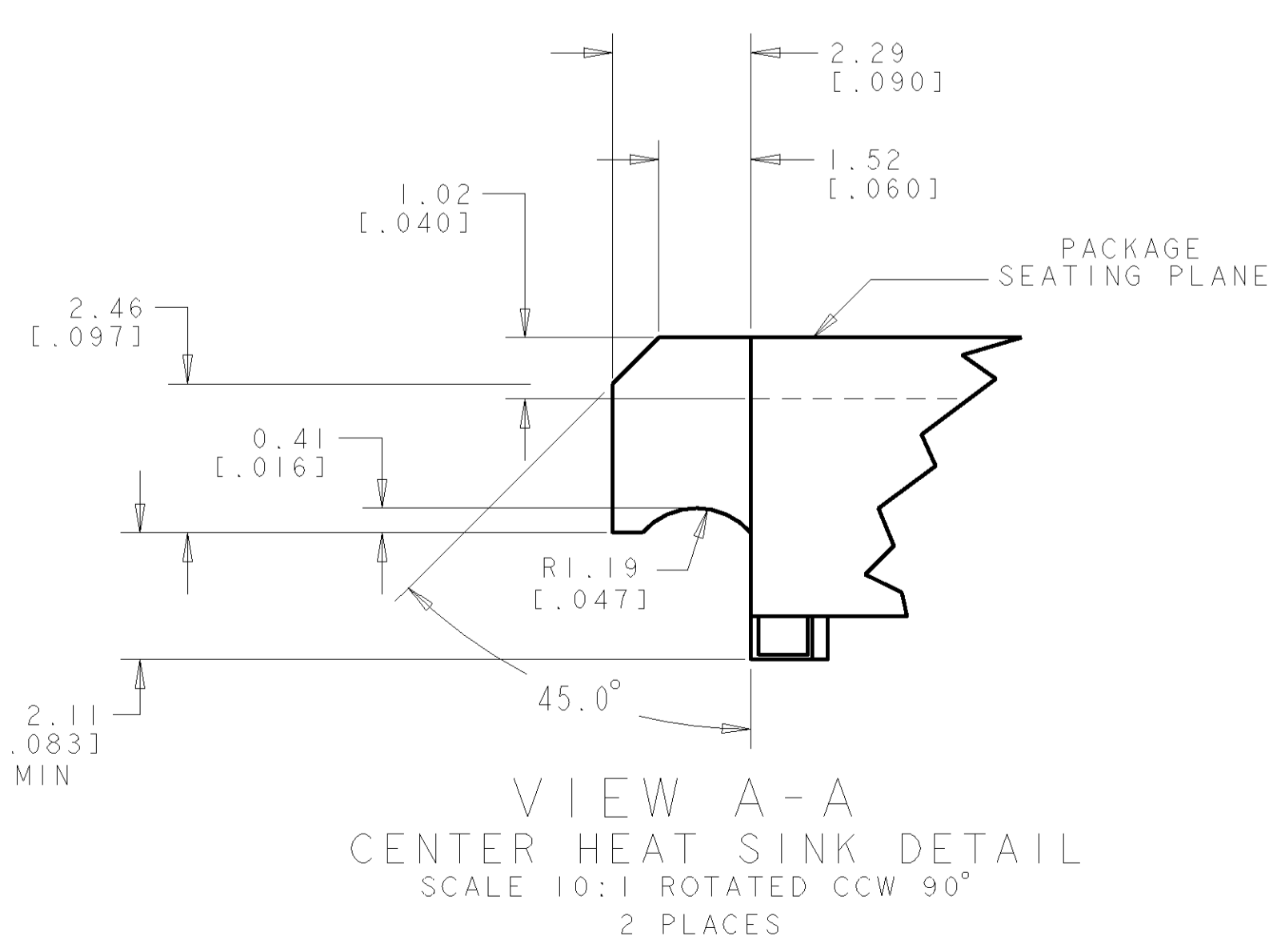
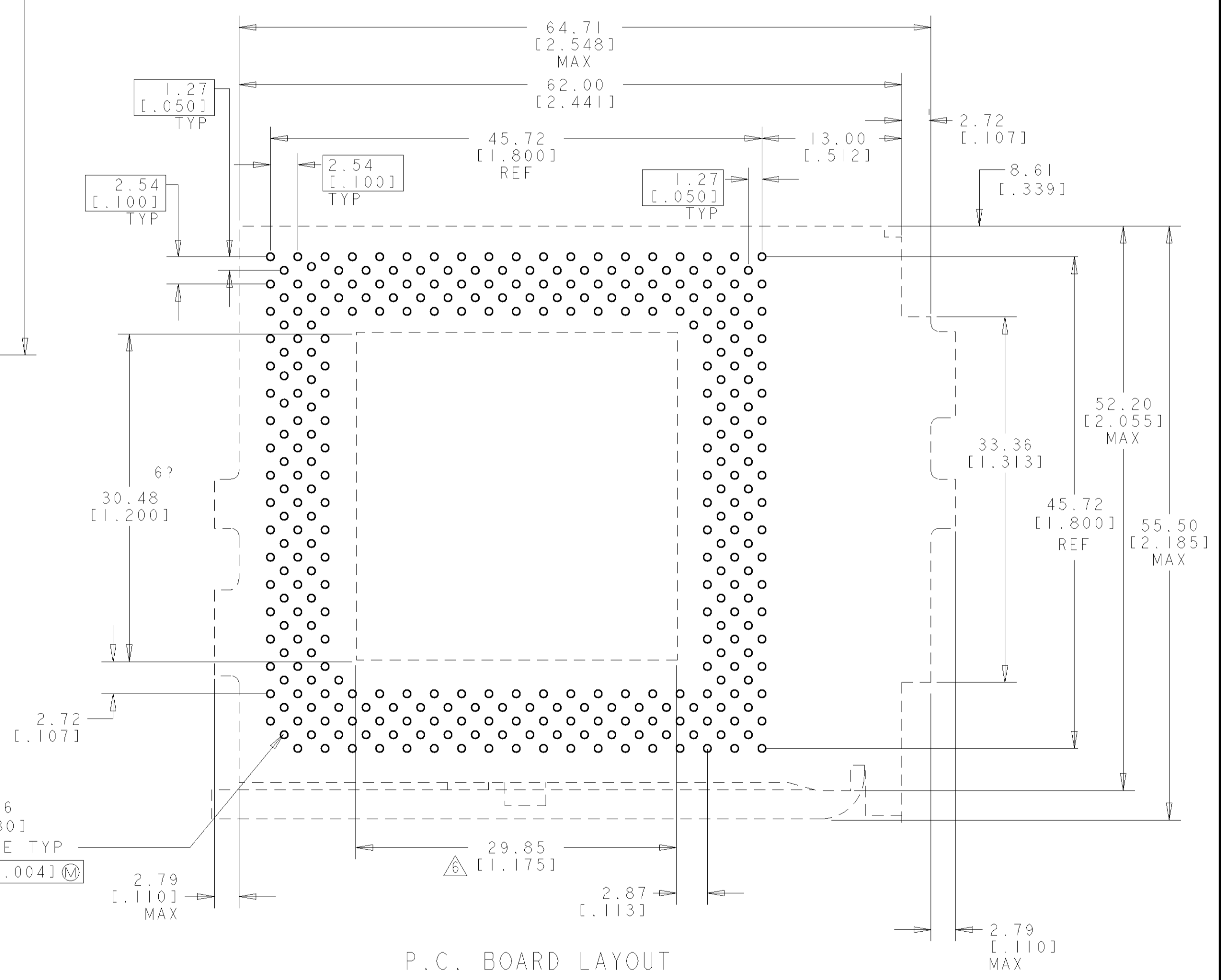


LOC		DIST		REVISIONS			
REV	DATE	DESCRIPTION	DATE	BY	APPD		
F		REVISED PER FP00-0027-02	08AUG02	LWY	LSF		



- 1 HANDLE IS SHOWN IN THE 'ON' POSITION
- 2 SOCKET WILL ACCEPT ANY P.G.A. PACKAGE WITH A PIN Ø0.46 ± 0.05 [Ø.018 ± 0.002] AND A LENGTH OF 2.54-3.30 [0.100-0.130] LOCATED ON TRUE POSITION OF 0.20 [0.008] Ⓜ
- 3 MAX DIMENSION INCLUDING HANDLE
- 4 MATERIAL; HOUSING AND COVER ARE THERMOPLASTIC. COLOR-NATURAL. CONTACTS ARE COPPER ALLOY. ACTUATOR IS STAINLESS STEEL.
- 5 FINISH; CONTACT AREA-0.00076 [0.000030] MIN. THICK GOLD OVER 0.00127 [0.000050] MIN. THICK NICKEL PLATE SOLDER TAIL-0.00381 [0.000150] MIN. THICK TIN-LEAD OVER 0.00127 [0.000050] MIN. THICK NICKEL PLATE. CONTACT AREA SHALL BE FREE OF LUBRICANT.
- 6 DIMENSIONS INDICATE MIN. OPEN CENTER THROUGH SOCKET.
- 7 SEATING PLANE OF PGA PACKAGE IN SOCKET IS ON CERAMIC SURFACE OF PACKAGE.
- 8 DIMENSION INDICATES MIN. HOLE IN COVER OF SOCKET.



TRAY PACKAGED NUMBER OF SOCKETS PER SHIPPING BOX	DIM A	POSITION	PART NUMBER
90	2.79 [0.110]	321	916657-3
90	2.36 [0.093]	321	916657-2
90	2.03 [0.080]	321	916657-1

AMP MANUFACTURING (SINGAPORE) PTE. LTD.

NAME: SOCKET ASSY, SINGLE LEVER ZIF, PGA, 19 X 19 GRID, LOW PROFILE, RIGHT HAND

SIZE: A1 CAGE CODE: 00779 DRAWING NO: 916657

MATERIAL: 42 FINISH: 57 WEIGHT: CUSTOMER DRAWING

SCALE: 3:1 SHEET: OF REV: F