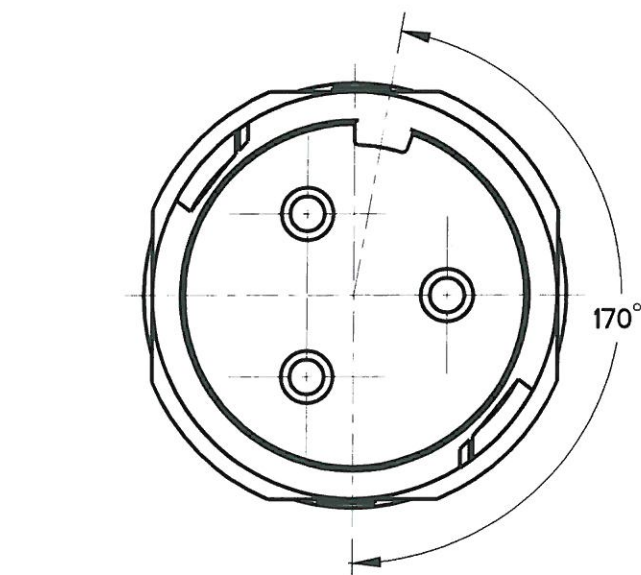
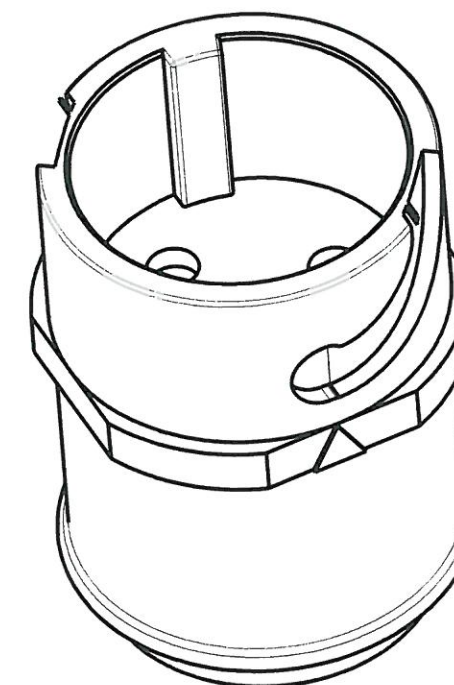
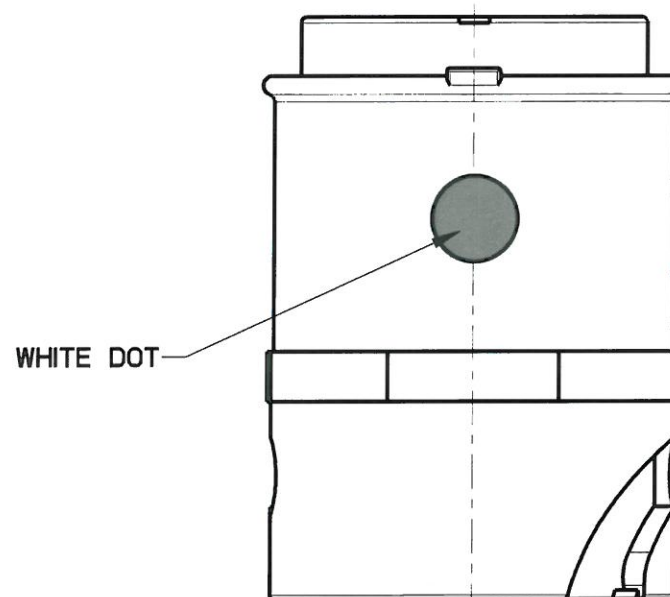
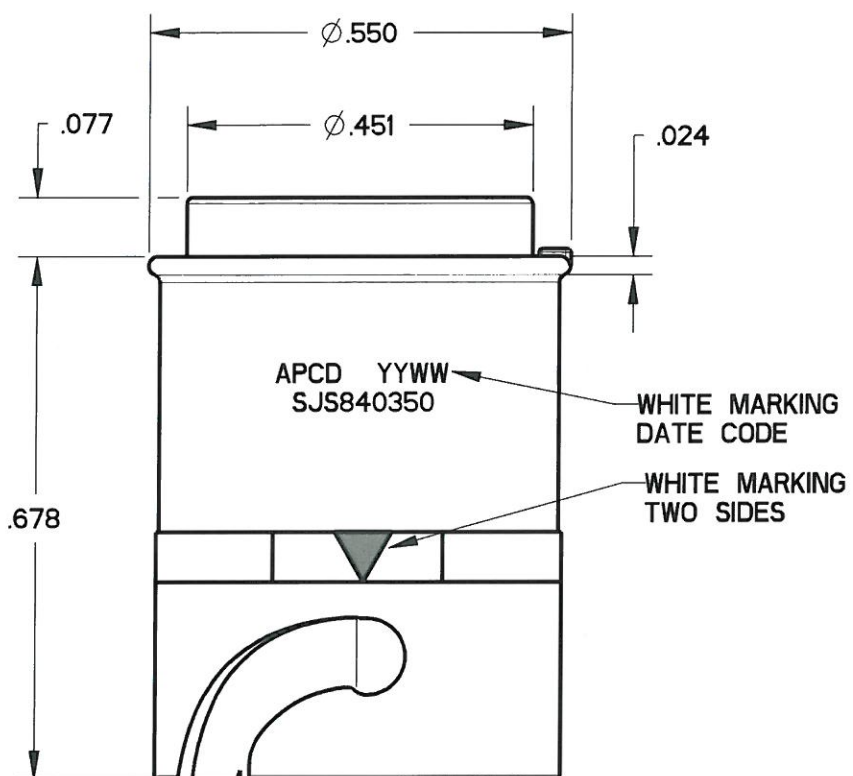
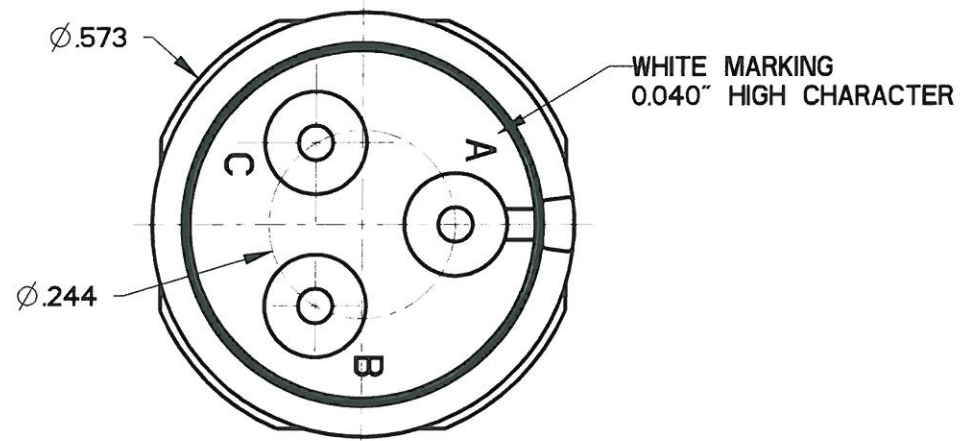


SJS840350

REV	ECN	APP'D
A	6451	JT 12/10/09
B	6473	JT 2/8/10
C	6564	<i>[Signature]</i> 8/6/10



- NOTES:
- MATERIALS:
HOUSING: PA6/6
CONTACT RETAINER: STAINLESS STEEL
GROMMET: SILICONE RUBBER PER A-A-59588
 - ACCEPTS M39029/58-364 PIN CONTACTS (NOT INCLUDED)
 - PART MATES WITH SJS840340
 - WEIGHT: 1.9 GRAMS
 - SUPPLIED WITH DUST CAP

DIMENSIONS	TOLERANCES	PROJECTION	Amphenol Pcd SPECIFICATION DRAWING		TITLE		
ANSI Y14.5M UNITS: INCHES Pro/E FILE	.XX ±0.01 .XXX ±0.005 ANGLES ±1.0°		ENGR Frank.Li	02-Mar-09	3P SZ16 INLINE ALT BLACK RECEPTACLE FOR SJS		
ORIGINAL	THIS DOCUMENT CONTAINS PROPRIETARY INFORMATION WHICH IS THE CONFIDENTIAL PROPERTY OF AMPHENOL PCD INC., BEVERLY, MA	CHKD <i>[Signature]</i> 8/6/2010	SIZE B	DWG NO. SJS840350_CE	REV C		
		APPD <i>[Signature]</i> 8/6/10	CODE: 58982	SCALE: 4:1	SHEET 1 OF 1		

SJS840350

SJS840350