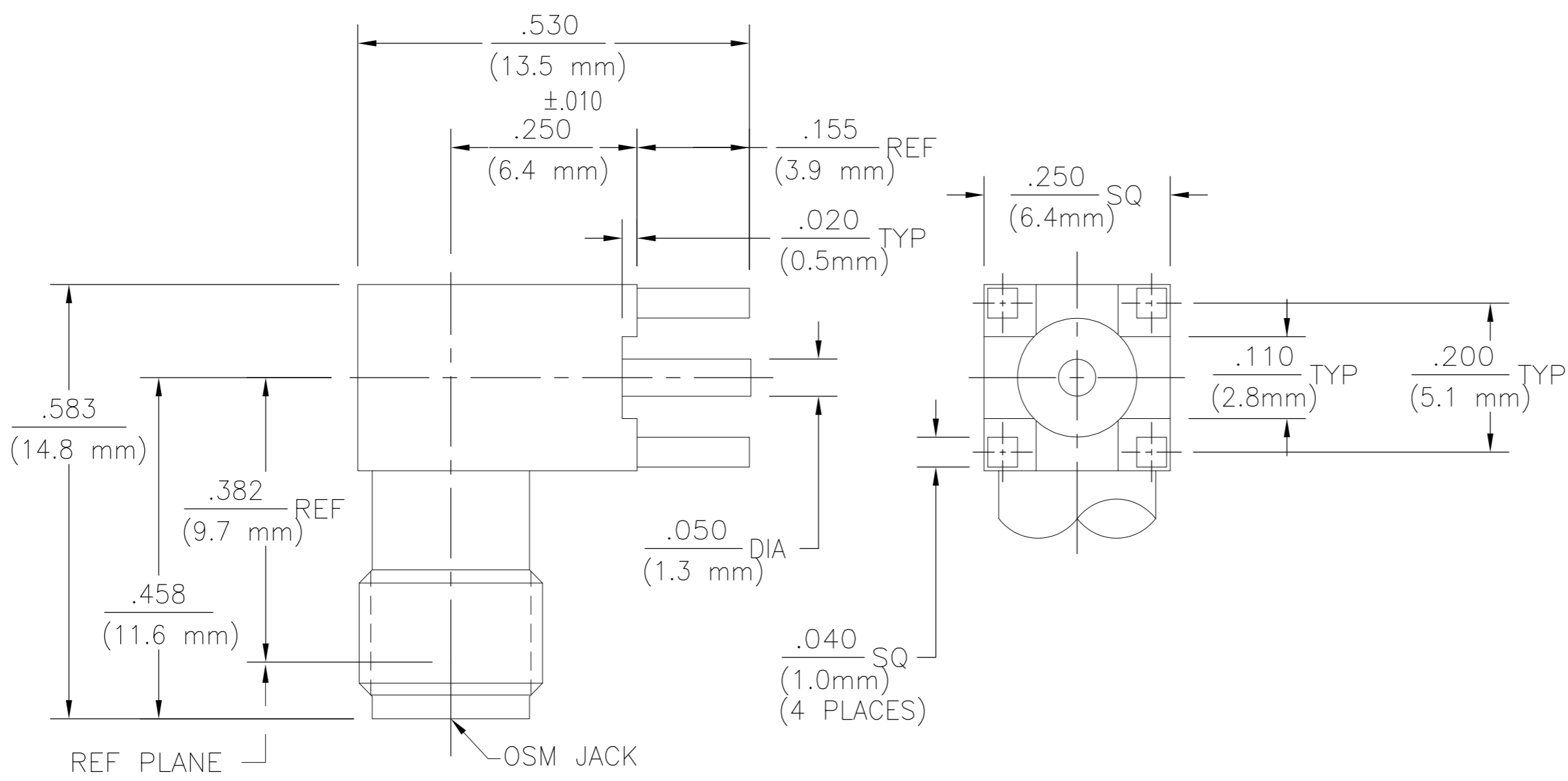


THIS DRAWING IS UNPUBLISHED. RELEASED FOR PUBLICATION
 © COPYRIGHT - By - ALL RIGHTS RESERVED.

LOC	DIST	REVISIONS					
AJ	00	P	LTR	DESCRIPTION	DATE	DWN	APVD
		B2		REVISED PER ECO-11-005030	11MAR11	RK	HMR



- ① BRASS
- ② STAINLESS STEEL
- ③ BERYLLIUM COPPER
- ④ PTFE
- ⑤ GOLD PLATE

ELECTRICAL	MECHANICAL	ENVIRONMENTAL
Nominal Impedance (Ohms) <u>50</u>	Interface Dimensions MIL-STD-348A, Fig. <u>310.2</u>	TEMPERATURE RATING <u>-65°C TO +125°C</u>
Frequency Range (GHz) <u>DC to 12.4</u>	Recommended Mating Torque <u>N/A</u>	Vibration MIL-STD-202, Method 204, Condition D
Volt Rating (VRMS MAX) @ Sea Level <u>335</u>	Mating Characteristics: Insertion (MAX Lbs) <u>3.0</u>	Shock MIL-STD-202, Method 213, Condition I
VSWR <u>N/A</u>	Withdrawal (MIN Oz) <u>1.0</u>	Thermal Shock MIL-STD-202, Method 107, Condition B Except HIGH TEMP SHALL BE +125°C
Insertion Loss (dB MAX) <u>N/A</u>	Force to Engage and Disengage (In-Lbs MAX) <u>2.0</u>	Moisture Resistance MIL-STD-202, Method 106
RF Leakage (dB MIN) <u>N/A</u>	Center Contact Captivation: Axial (Lbs) <u>6.0</u>	Corrosion - MIL-STD-202, Method 101, Condition B, 5% salt spray
Dielectric Withstanding Voltage (VRMS MIN) @ Sea Level <u>1,000</u>	Radial (In-Oz) <u>4.0</u>	
Contact Resistance (Milliohms MAX): Center Contact <u>2.0</u>	Cable Retention: Axial Force (Lbs) <u>N/A</u>	
Outer Contact <u>2.0</u>	Torque (In-Oz) <u>N/A</u>	
Cable to Housing <u>N/A</u>	Weight (Grams) <u>3.1</u>	
RF High Potential @ Sea Level (VRMS MIN @ 5 MHz) <u>670</u>		
I.R.(Megohms MIN) <u>10,000</u>		

①⑤	③⑤	④	①⑤	④	③⑤	1053378-3
②⑤	③⑤	④	②⑤	④	③⑤	1053378-1
HOUSING	CONTACT	DIELECTRIC	CAP	DIELECTRIC	CONTACT	PART NO

THIS DRAWING IS A CONTROLLED DOCUMENT.		DWN	6/6/67	 TE Connectivity OSM PRINTED WIRING BOARD RIGHT ANGLE JACK RECEPTACLE
		BWC	6/6/67	
		CHK	6/6/67	
		APVD	6/6/67	
DIMENSIONS: INCHES	TOLERANCES UNLESS OTHERWISE SPECIFIED:	PRODUCT SPEC		NAME
0 PLC ± -	1 PLC ± -	APPLICATION SPEC		SIZE
2 PLC ± -	3 PLC ± .005			CAGE CODE
4 PLC ± -	ANGLES ± 1°			DRAWING NO
MATERIAL	FINISH	WEIGHT		RESTRICTED TO
-	-	-	A2 00779	1053378
CUSTOMER DRAWING		SCALE	6:1	SHEET
			1	OF 1
				REV
				B2

1053378

A