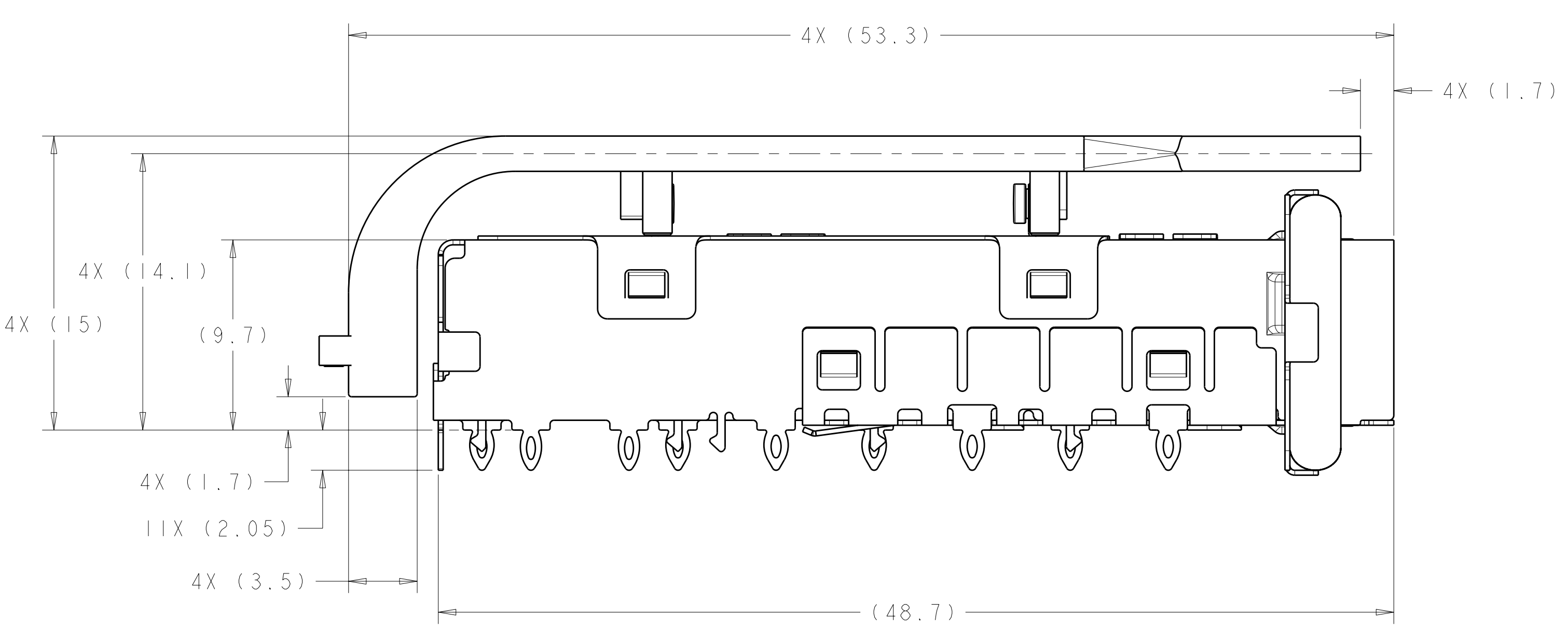
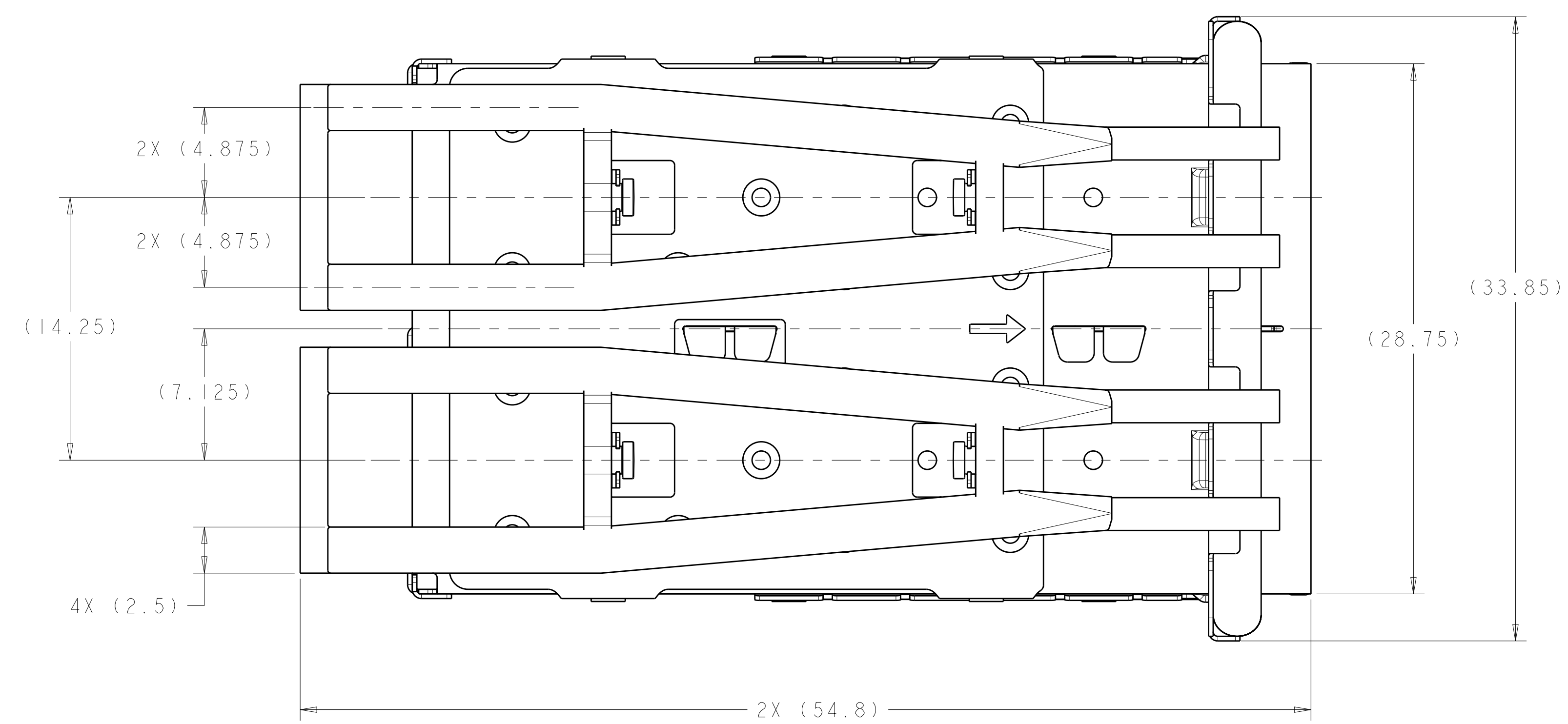
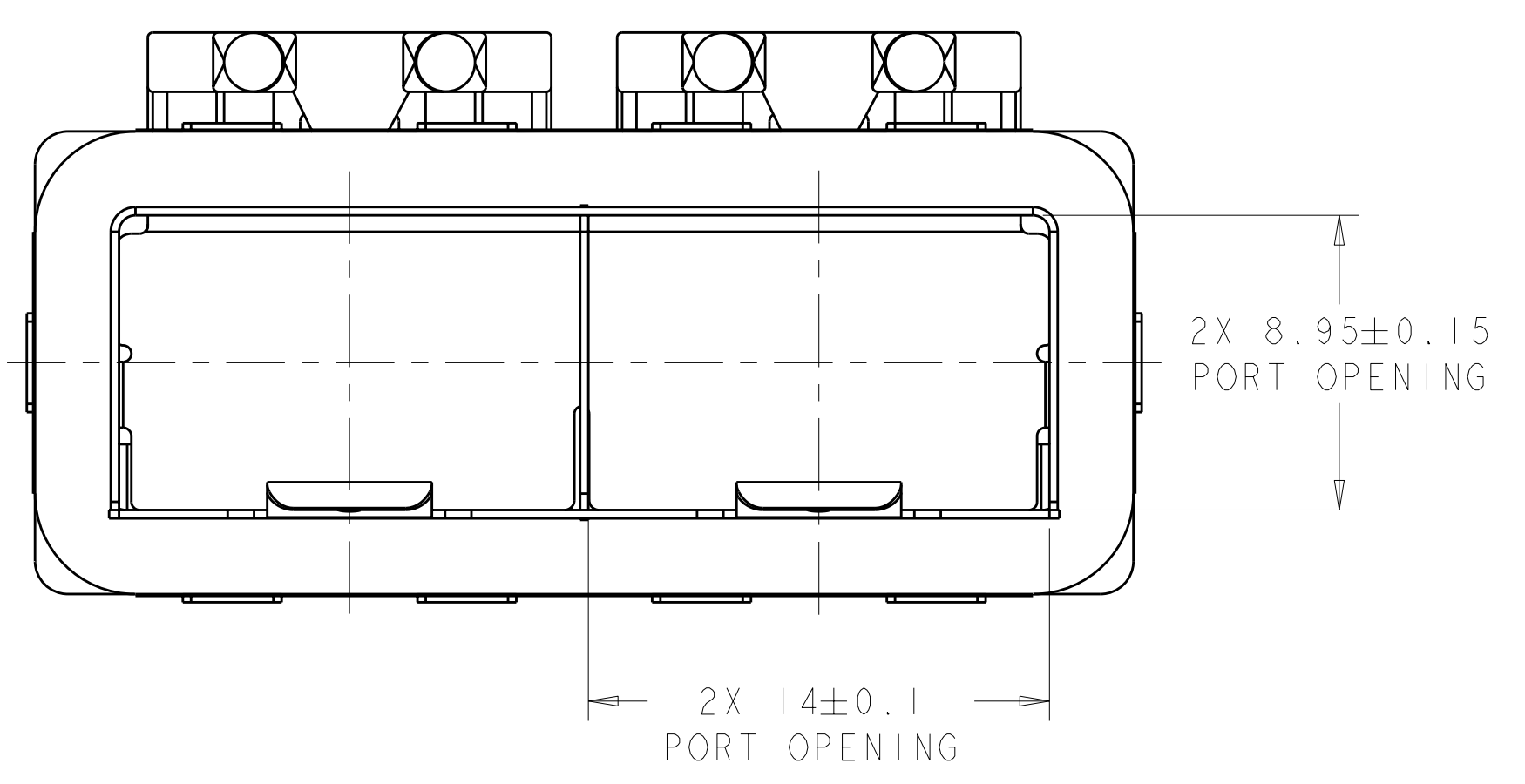
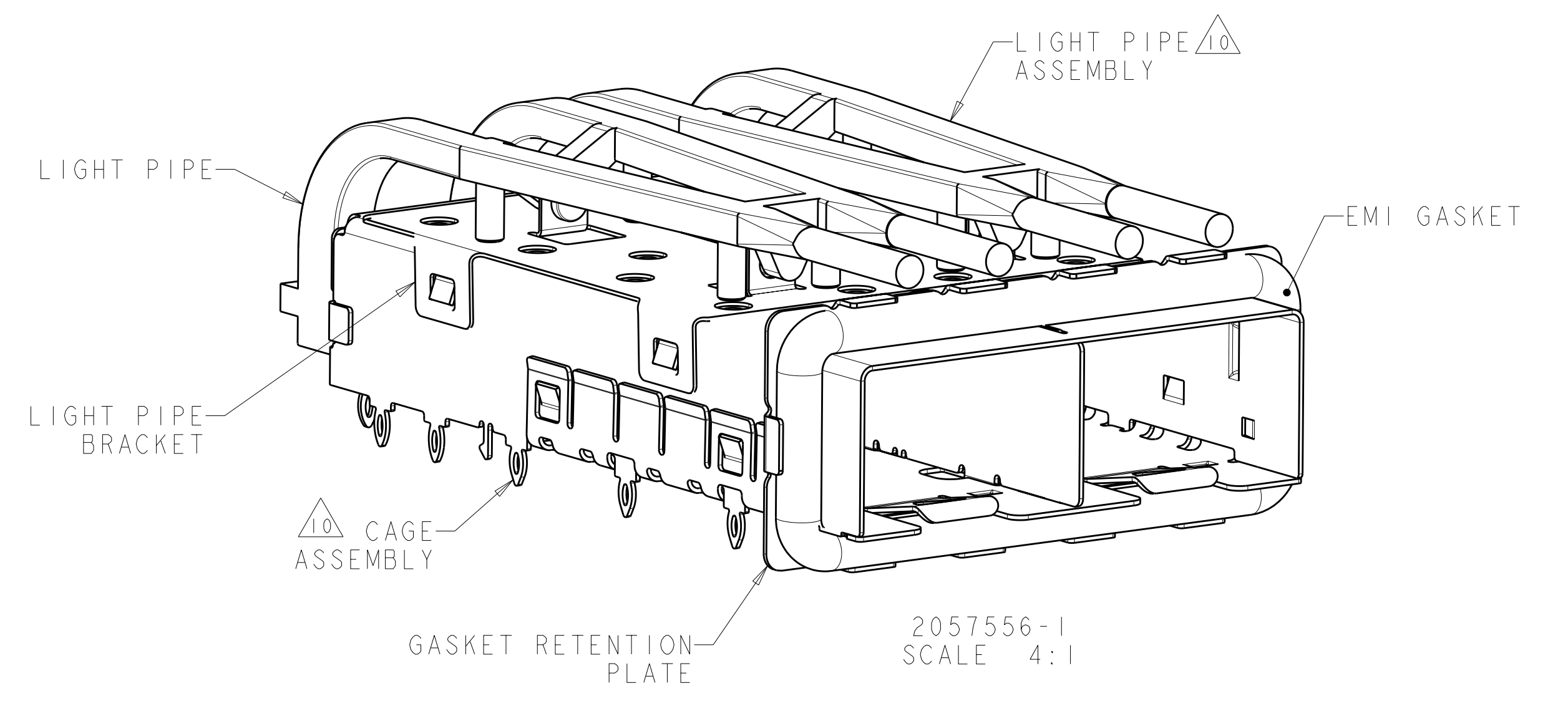


LOC	DIST	REV	DATE	DWN	APVD
GP	00	A	14FEB2011	CJV	JTL
		REVISIONS			
		DESCRIPTION	DATE	DWN	APVD
		A	RELEASE PER ECO-10-025263		



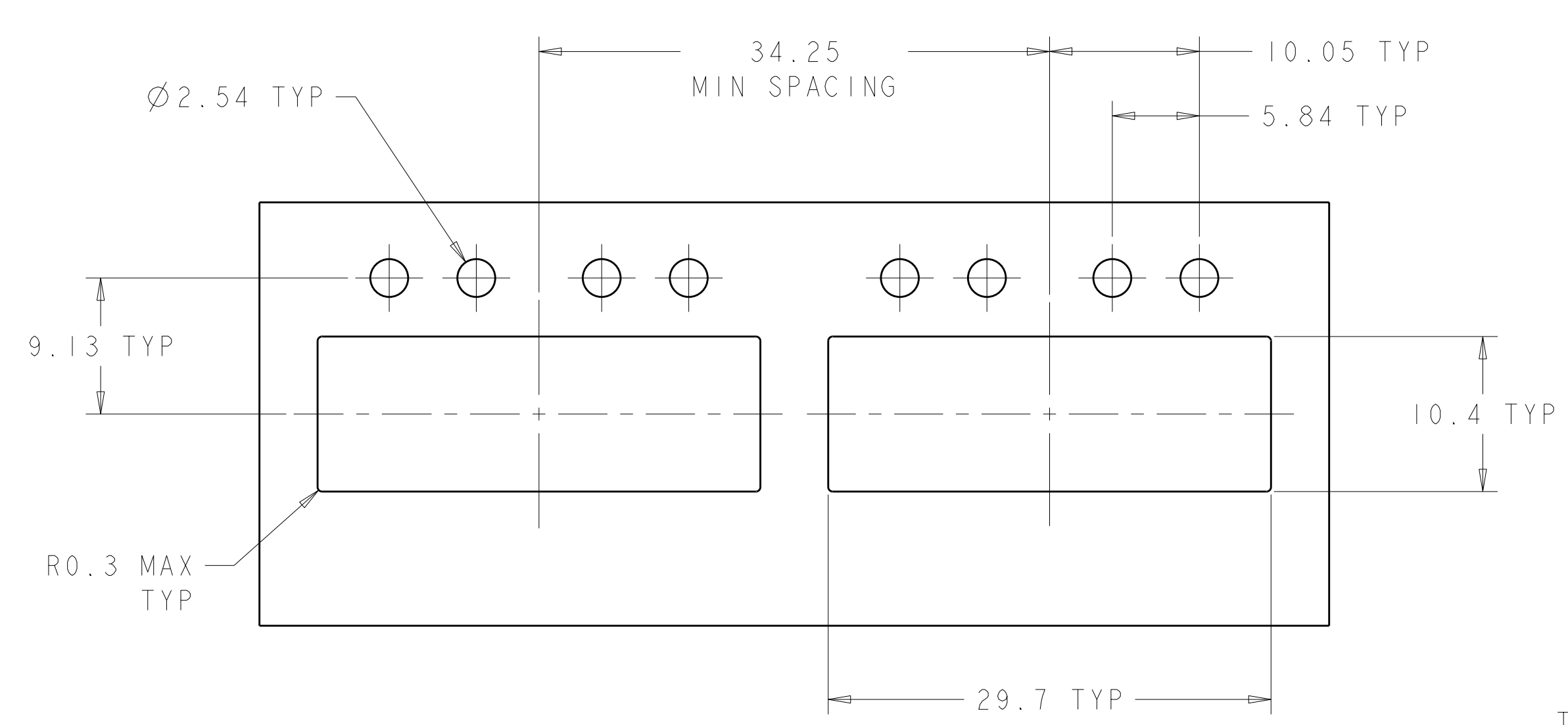
- 1 MATERIAL:
 CAGE ASSEMBLY: NICKEL SILVER ALLOY
 GASKET RETENTION PLATE AND LIGHT PIPE BRACKET: STAINLESS STEEL
 EMI GASKET: PLATED FILLED SILICONE
 LIGHT PIPE: POLYCARBONATE, CLEAR.
- 2 DATUM AND BASIC DIMENSION ESTABLISHED BY CUSTOMER.
- 3. MATES WITH SFP MSA COMPLIANT TRANSCEIVERS.
- 4 PADS AND VIAS CHASSIS GROUND.
- 5. INTERPRETATION OF DATUM REFERENCE FRAME IN ACCORDANCE WITH SECT 4.4.1.1 OF ASME Y14.5M-1994.
- 6 MINIMUM PC BOARD THICKNESS:
 SINGLE SIDED: 1.45mm.
- 7 HOLE PATTERN REPEATS FOR EACH PORT, SPACING BETWEEN PORTS IS 14.25mm.
- 8 REFERENCE APPLICATION SPEC 114-13120, HOLE A, FOR RECOMMENDED DRILL HOLE DIAMETER AND PLATING THICKNESS.
- 9 REFERENCE APPLICATION SPEC 114-13120, HOLE B, FOR RECOMMENDED DRILL HOLE DIAMETER AND PLATING THICKNESS.
- 10 LIGHT PIPE ASSEMBLY SHIPPED UNASSEMBLED TO CAGE ASSEMBLY, CAGE ASSEMBLY TO BE PRESSED INTO THE PC BOARD PRIOR TO ATTACHING THE LIGHT PIPE ASSEMBLY TO THE CAGE ASSEMBLY.



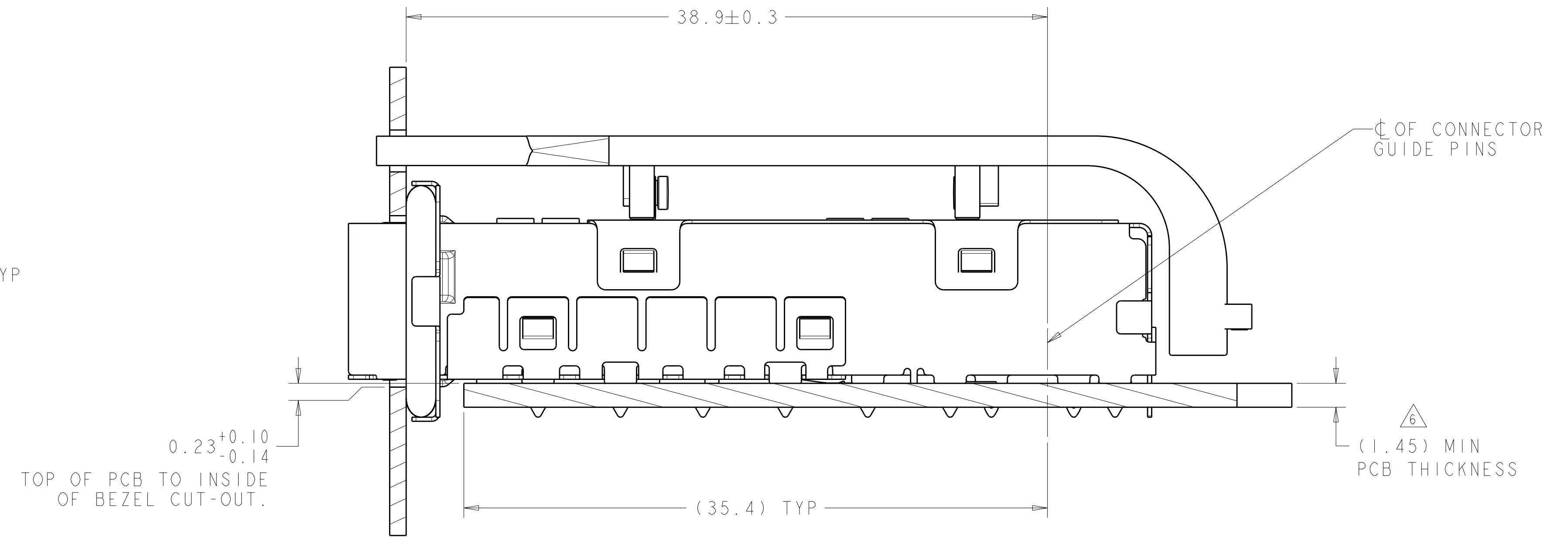
2057556-1
 PART NUMBER

DIMENSIONS: mm 		TOLERANCES UNLESS OTHERWISE SPECIFIED: 9 PLC ±0.13 1 PLC ±0.1 2 PLC ±0.08 3 PLC ±0.05 4 PLC ±0.05 ANGLES ±0.05 FINISH #1		DWN B. MCMASTER 06OCT08 CHK M. SCHMITT 06OCT08 APVD M. SCHMITT 06OCT08		Tyco Electronics Harrisburg, PA 17105-3608	
MATERIAL 		PRODUCT SPEC APPLICATION SPEC 114-13120		NAME SFP+ 1X2 CAGE ASSEMBLY WITH LIGHT PIPES, PRESS FIT, EMI GASKET		SIZE CAGE CODE DRAWING NO A 100779 C-2057556	
CUSTOMER DRAWING		WEIGHT -		RESTRICTED TO -		SCALE 5:1 SHEET 1 OF 3 REV A	

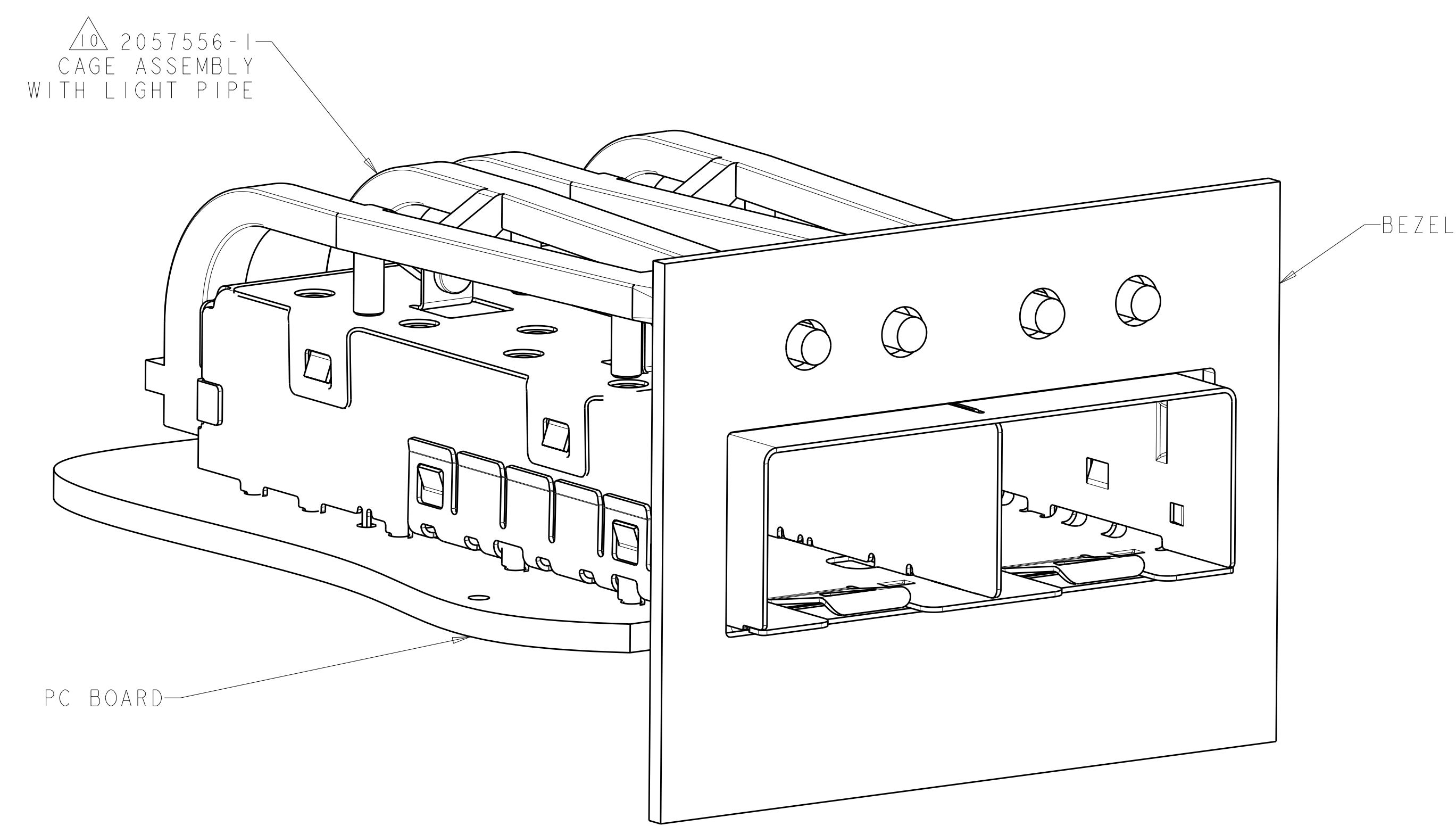
LOC	DIST	REVISIONS					
GP	00	P	LTB	DESCRIPTION	DATE	DWN	APVD
-	-	-	-	SEE SHEET 1	-	-	-



RECOMMENDED BEZEL CUT-OUT
 SCALE 3:1



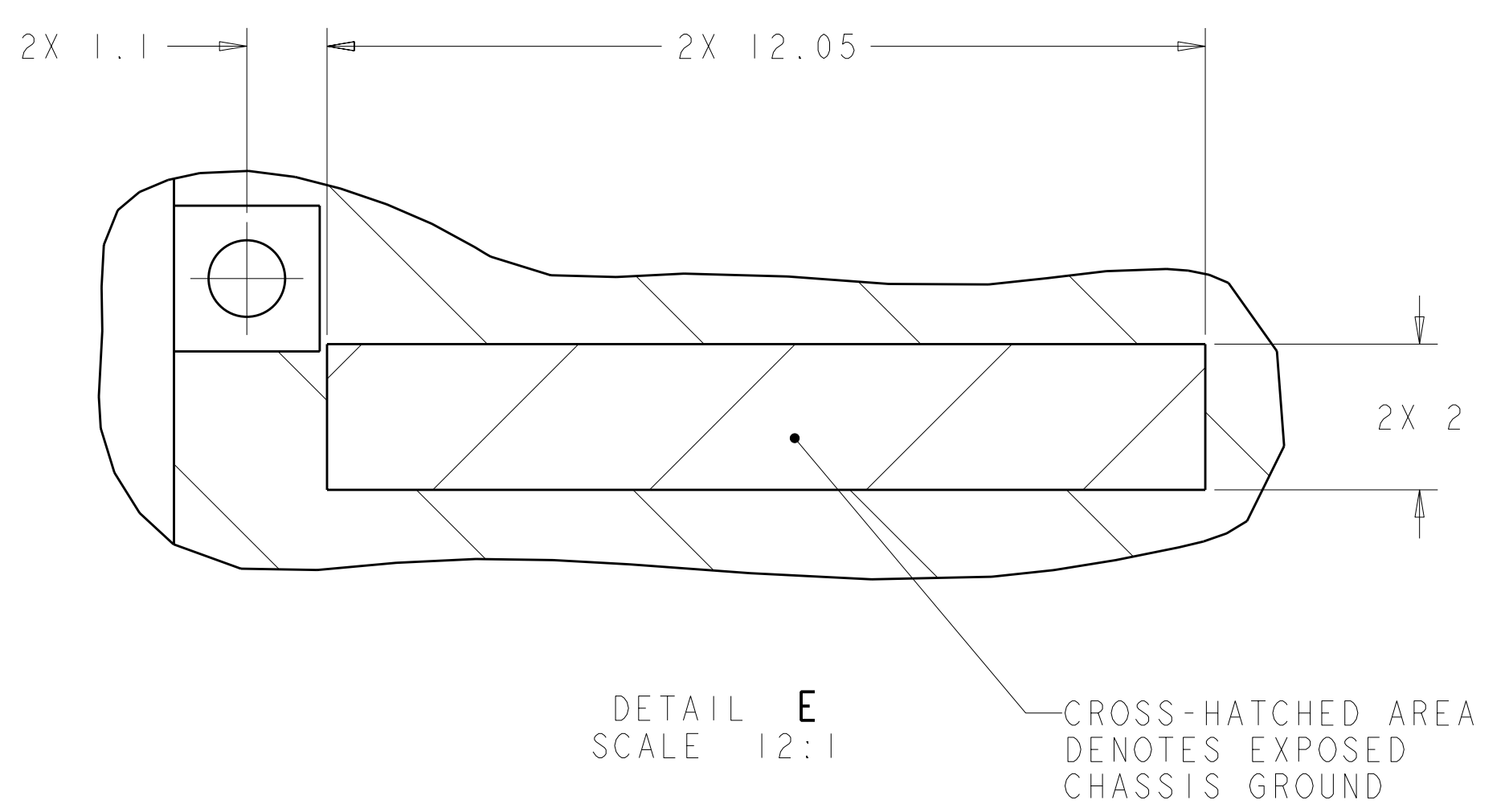
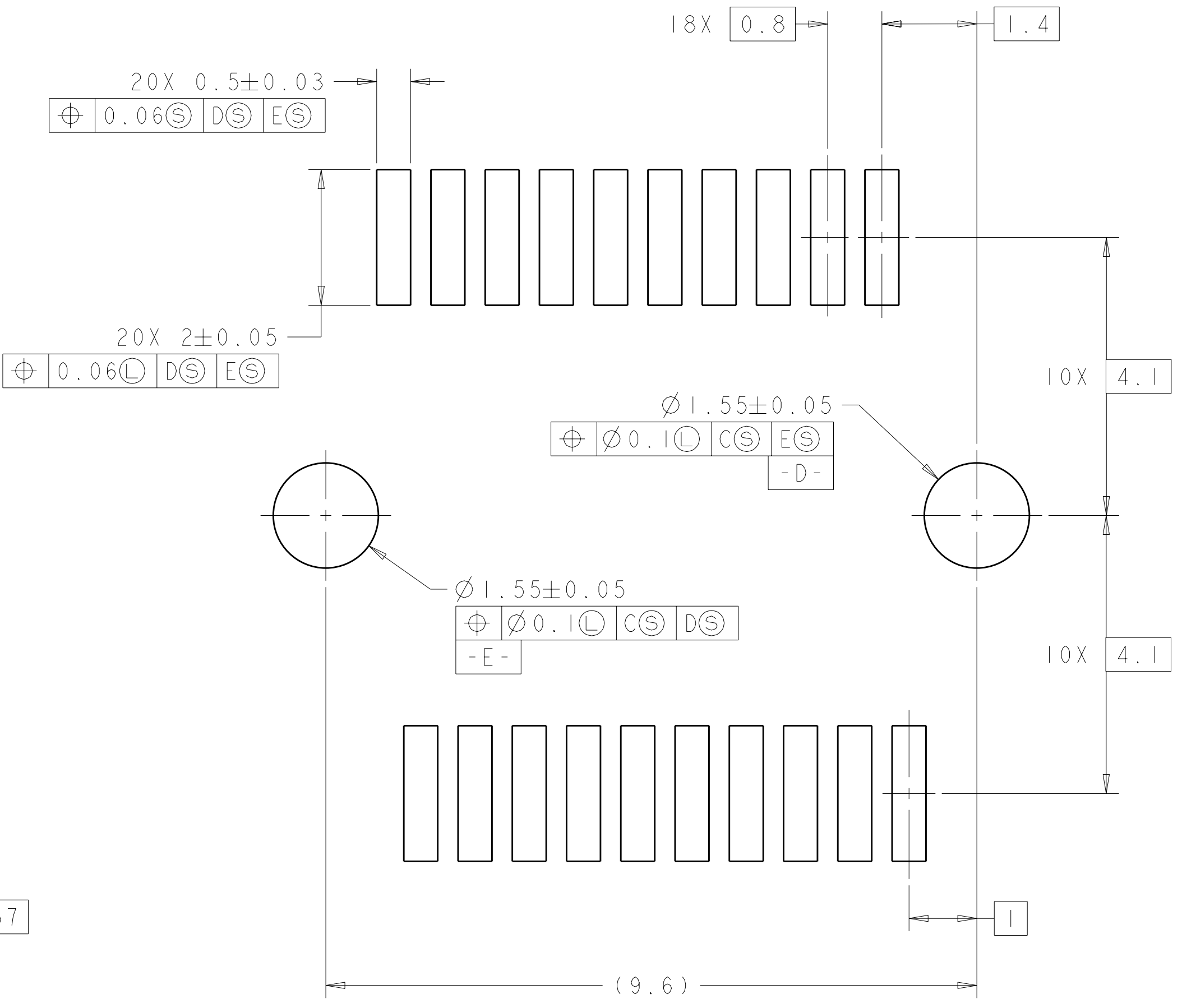
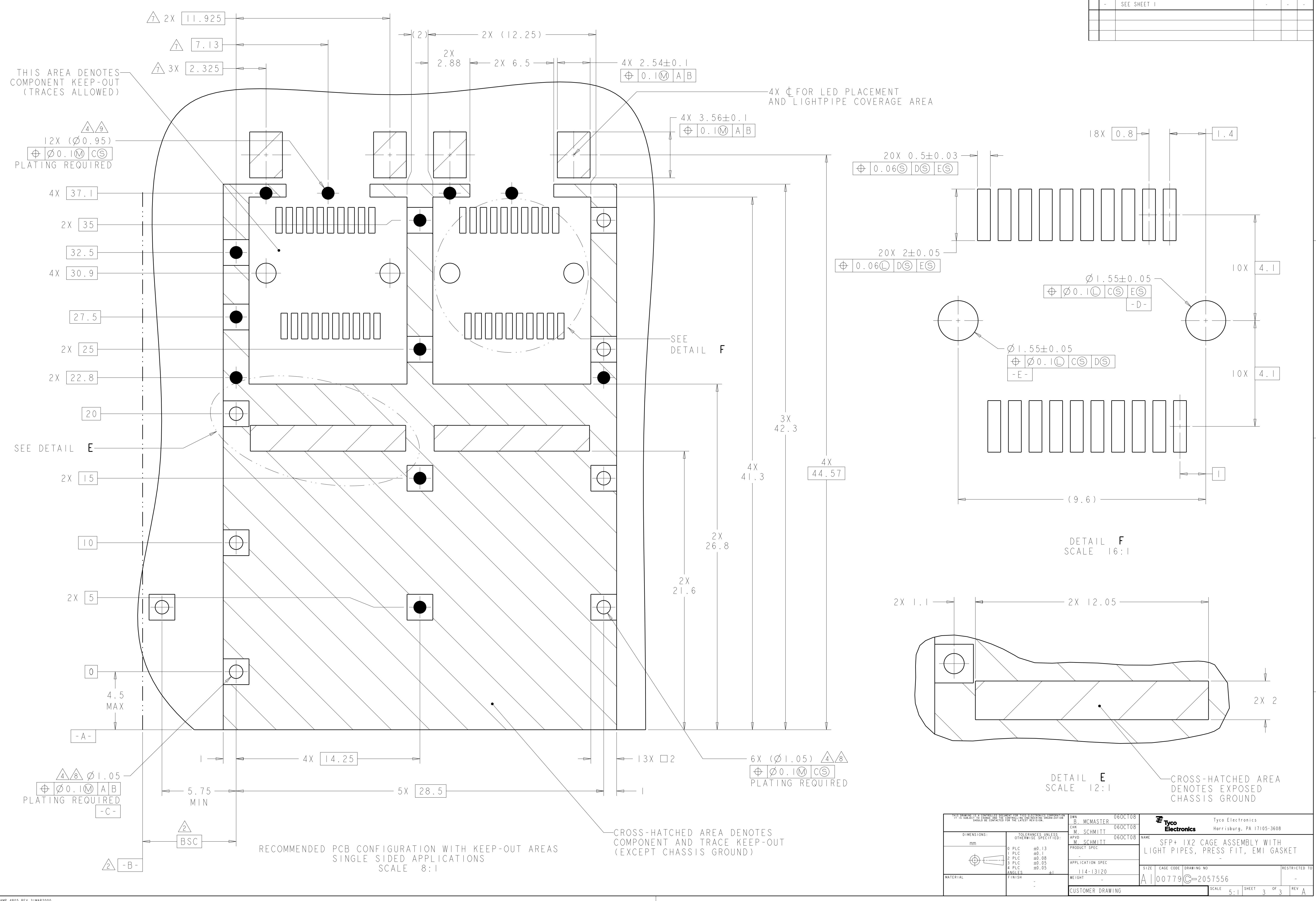
SECTION J-J
 MOUNTED ON PCB
 SHOWN THRU RECOMMENDED BEZEL



2057556-1
 MOUNTED ON PCB
 SHOWN THRU RECOMMENDED BEZEL.

<small>THIS DRAWING IS UNPUBLISHED. RELEASED FOR PUBLICATION BY TYCO ELECTRONICS CORPORATION. IT IS SUBJECT TO CHANGE WITHOUT NOTICE AND WITHOUT OBLIGATION. SHOULD BE CONTACTED FOR THE LATEST REVISION.</small>		DWN: B. MCMASTER 06OCT08 CHK: M. SCHMITT 06OCT08 APVD: M. SCHMITT 06OCT08	Tyco Electronics Harrisburg, PA 17105-3608
DIMENSIONS: mm	TOLERANCES UNLESS OTHERWISE SPECIFIED: 0 PLC ±0.13 1 PLC ±0.1 2 PLC ±0.08 3 PLC ±0.05 4 PLC ±0.05 ANGLES ±0.05 FINISH #1	NAME: SFP+ 1X2 CAGE ASSEMBLY WITH LIGHT PIPES, PRESS FIT, EMI GASKET APPLICATION SPEC: - PRODUCT SPEC: - 114-13120	SIZE: CAGE CODE DRAWING NO: A100779C-2057556 RESTRICTED TO: -
MATERIAL:	FINISH:	WEIGHT:	CUSTOMER DRAWING
SCALE 5:1		SHEET 2 OF 3	REV A

LOC	DIST	REV	DATE	BY	APPD
GP	00				



RECOMMENDED PCB CONFIGURATION WITH KEEP-OUT AREAS
 SINGLE SIDED APPLICATIONS
 SCALE 8:1

CROSS-HATCHED AREA DENOTES
 COMPONENT AND TRACE KEEP-OUT
 (EXCEPT CHASSIS GROUND)

DIMENSIONS: mm 		TOLERANCES UNLESS OTHERWISE SPECIFIED: 9 PLC ±0.13 1 PLC ±0.1 5 PLC ±0.08 4 PLC ±0.05 ANGLES ±0.05		DWN ID: MCMASPER 06OCT08 CHY M. SCHMITT 06OCT08 APVD M. SCHMITT 06OCT08		Tyco Electronics Harrisburg, PA 17105-3608	
MATERIAL: FINISH: #1		PRODUCT SPEC: APPLICATION SPEC: 114-13120		NAME: SFP+ 1X2 CAGE ASSEMBLY WITH LIGHT PIPES, PRESS FIT, EMI GASKET		SIZE: CAGE CODE DRAWING NO: A1100779C=2057556	
CUSTOMER DRAWING		WEIGHT:		SCALE: 5:1 SHEET 3 OF 3 REV A		RESTRICTED TO:	