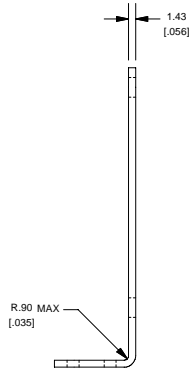
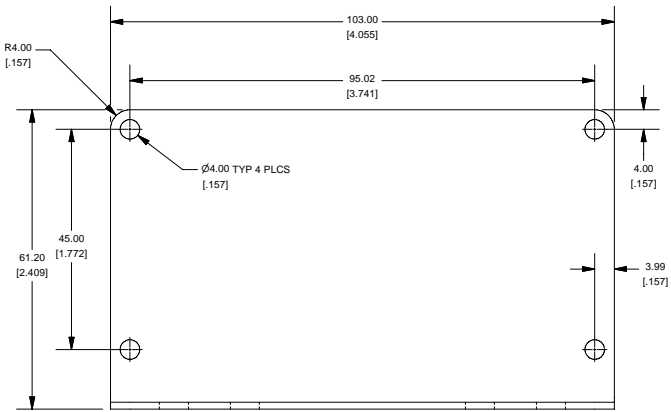
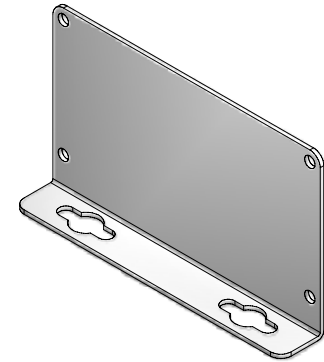


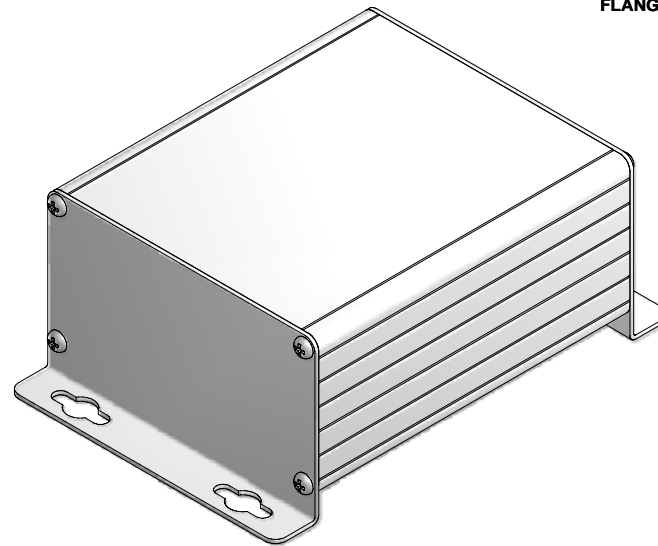
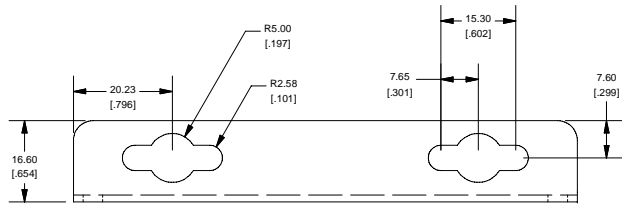
4 | 3 | 2 | 1



**1455NF**



**FLANGE**



**ENCLOSURE ASSEMBLY WITH FLANGES**



[www.hammondmfg.com](http://www.hammondmfg.com)

4 | 3 | 2 | 1