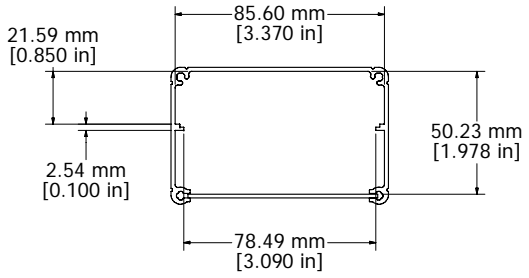
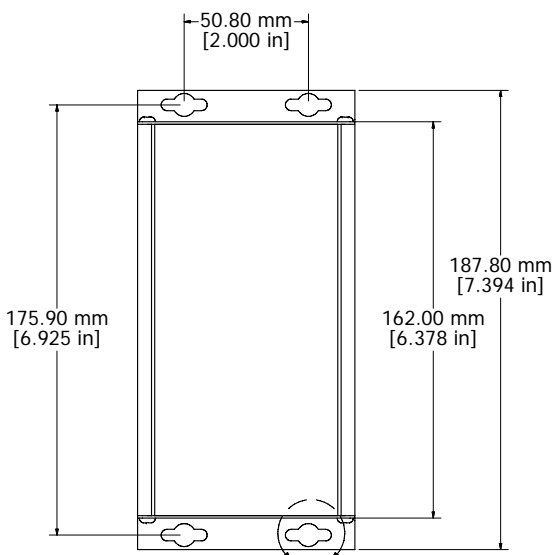
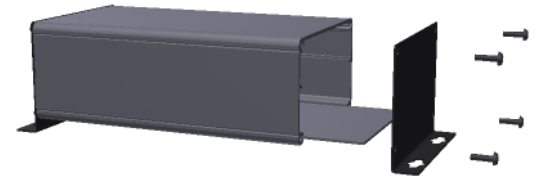
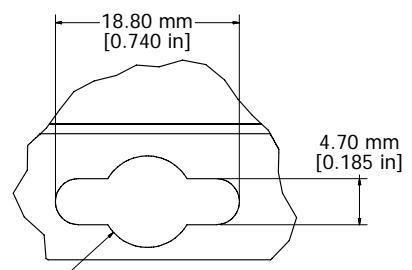


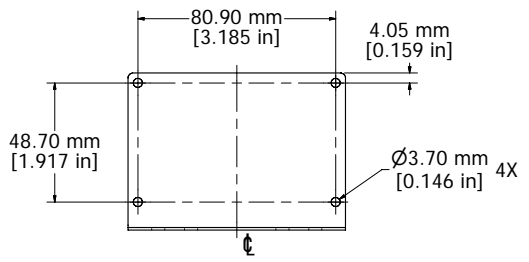
ASSEMBLY



EXTRUSION - INSIDE



DETAIL A



FLANGE

Enclosures can be Factory Modified ( Milling, Drilling, Printing etc. )  
 Solid models of this enclosure available in STEP or IGES.  
 Contact Factory [mjm@hammondmfg.com](mailto:mjm@hammondmfg.com)

**NOTE**  
 Purchased assembly includes box, belly plate, flanges and cover screws. Box made from extruded aluminum 6063.

**HAMMOND MANUFACTURING™**  
 1455ZT1601  
[www.hammondmfg.com](http://www.hammondmfg.com)