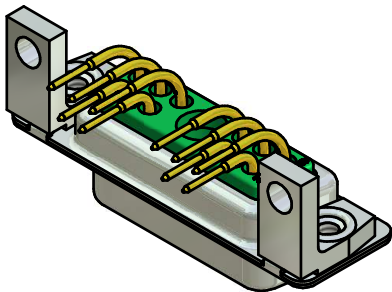
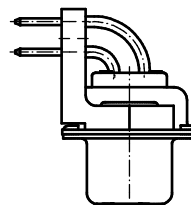
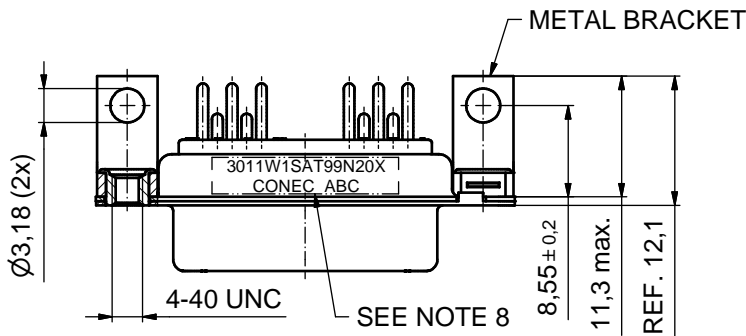
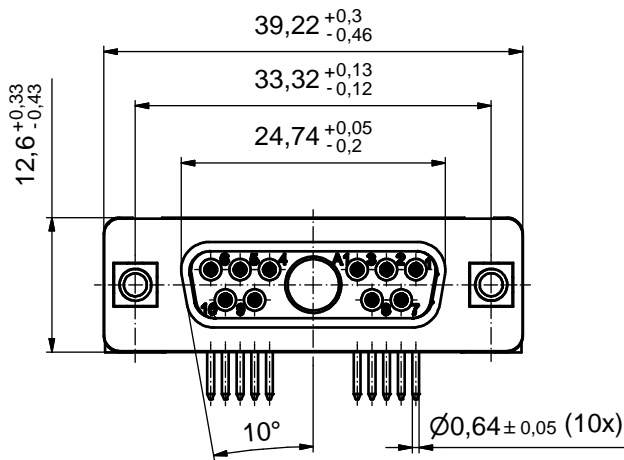
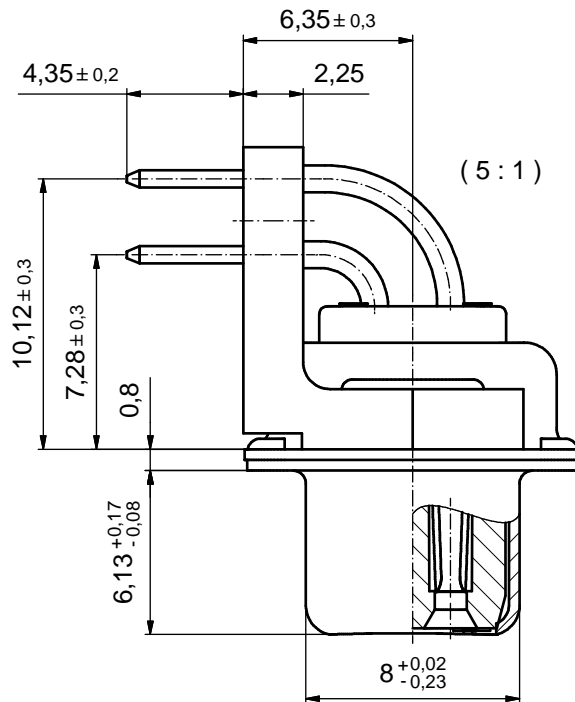


P.C.B. HOLE DRILLINGS
(P.C.B. TOP SIDE)



NOTES:

- METALSHELLS: STEEL; min. 315µm TIN over 40-80µm NICKEL
- INSULATORS: PBT GF UL 94 V-0; GREEN
- SIGNAL CONTACTS: COPPER ALLOY
PLATING: 8µm HARD GOLD over min. 50µm NICKEL
- NO CONTACT ON POS. A1
- METAL BRACKETS: ZINC DIE CAST; 300µm COPPER/40-120µm NICKEL/120-200µm TIN
- THREADED INSERTS: COPPER ALLOY; min. 200µm TIN over 80µm NICKEL
- MAXIMUM TORQUE VALUE FOR THREAD: 6 in.LB
- CONNECTOR IS PART MARKED: [3011W1SAT99N20X CONEC ABC]

Directive 2002/95/EC
RoHS
Compliant

APPROVAL # FREIGABE # DEBLOCAGE # AUTORIZACION # APPROVAL	
CUSTOMER APPROVAL DATE:	
NAME:	TITLE:
COMPANY NAME:	
APPROVAL # FREIGABE # DEBLOCAGE # AUTORIZACION # APPROVAL	

THIS DRAWING MAY NOT BE COPIED OR REPRODUCED IN ANY WAY, AND MAY NOT BE PASSED ON TO A THIRD PARTY WITHOUT WRITTEN PERMISSION. OWNERSHIP AND COPYRIGHT OF CONEC GmbH				tolerance		dim. in mm		scale: 2:1 (5:1)	
DO NOT ALTER CAD DRAWING BY HAND				date		name		material: SEE NOTES	
a Origin				drawn 15.03.10		Lehmenkühler		title: D-SUB COMB. FEMALE 90°	
rev. description date name				appd. 15.03.10		Fischer		11W1S	
				norm				with threaded insert and metal bracket	
				d-old				dwg no: Inventor 10	
								DIN-A3	
								sh: 1	
								part no: 13K1A3123	
								part no: 3011W1SAT99N20X	

