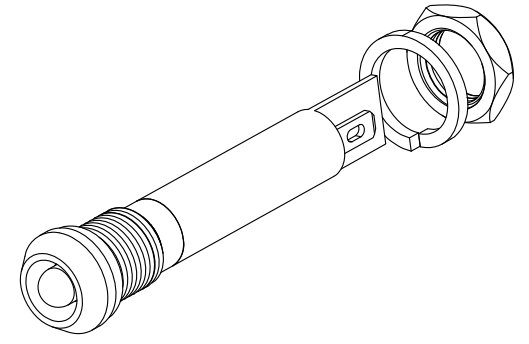
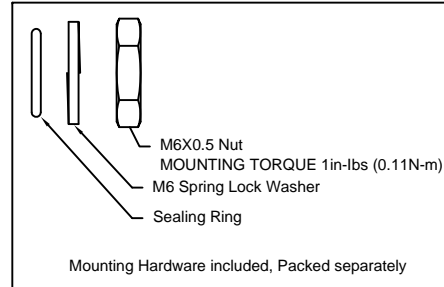
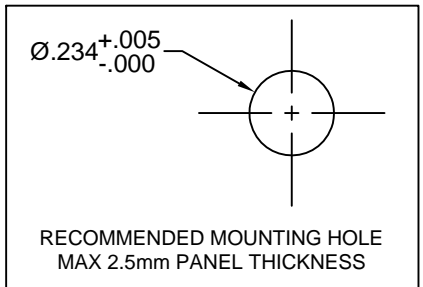
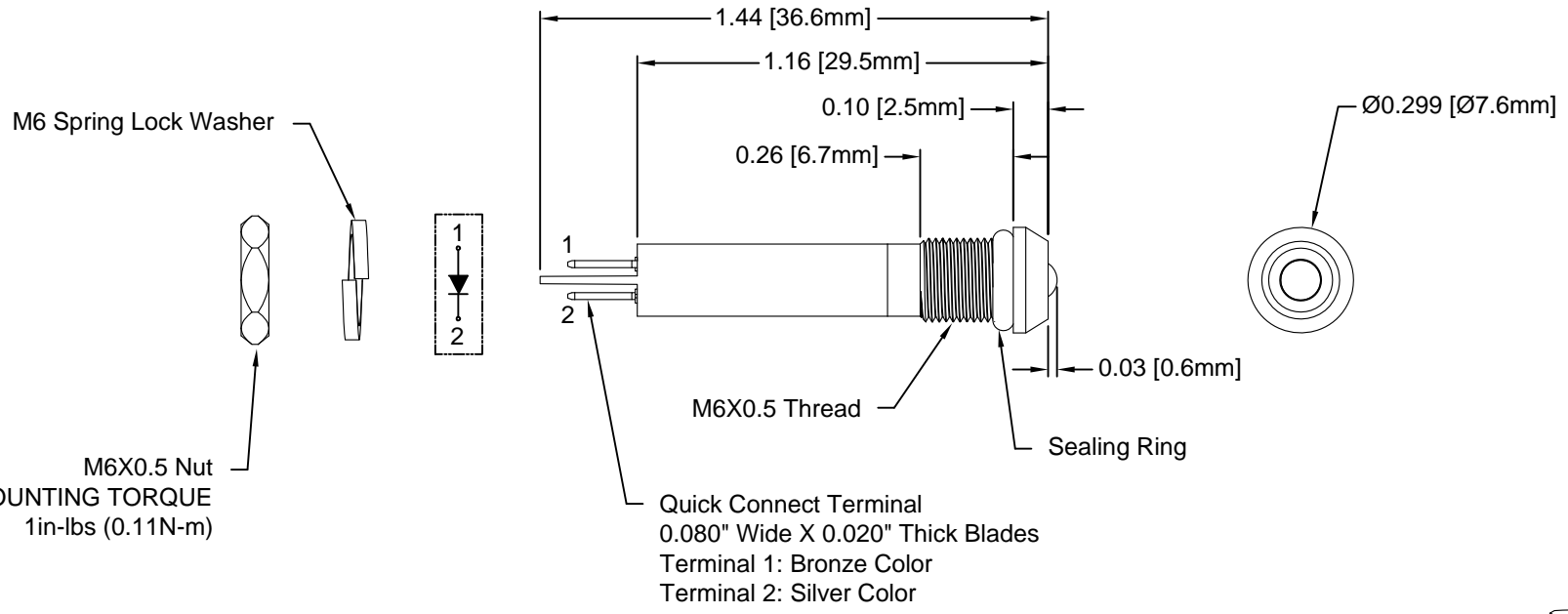


REV.	DESCRIPTION	DATE	APPROVED
A	Engineering Release	08/15/14	J. C.
B	Engineering Update w/o Changes	08/11/16	J. C.



- NOTES:
1. SEALED TO IP54 RATING
  2. VOLTAGE INPUT OPTIONS: 12V/24V/110V/220V
  3. ROHS COMPLIANT
  4. MOUNTING HARDWARE PACKED SEPARATELY NON-ASSEMBLED
  5. INSERT SEALING RING ON PANEL MOUNT ASSEMBLY PRIOR TO PANEL INSTALLATION


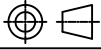
STANDARD TOLERANCE (UNLESS OTHERWISE SPECIFIED)		BIVAR®	
DECIMALS	ANGULAR	4 THOMAS, IRVINE, CA. 92618	
.X ± .1	X° ± 1°	TEL: (949) 951-8808 FAX: (949) 951-3974	
.XX ± .02		TITLE: MPC6-1 SERIES, IP54 RATED PANEL MOUNT INDICATOR	
.XXX ± .010		DESIGNED: <b>M. Doan</b>	DATE: <b>08/15/14</b>
		CHECKED: <b>B. Oliver</b>	DATE: <b>08/15/14</b>
		PART NO: <b>MPC6-1XDXXV</b>	REVISION: <b>B</b>
		CAGE CODE : <b>32559</b>	SHEET # <b>1 OF 2</b>
		CAD GENERATED DOCUMENT. DO NOT MEASURE DRAWING.	

REV.	DESCRIPTION	DATE	APPROVED
	SEE SHEET #1		

Part Number	Dominant Wave Length $\lambda_d$ (nm)	Emitted Color	Lens Appearance	Voltage	Luminous Intensity (mcd)	Viewing Angle (degree)
MPC6-1RD12V	625	Red	Diffused	12V	310	45
MPC6-1GD12V	525	Green	Diffused	12V	2090	45
MPC6-1YD12V	590	Yellow	Diffused	12V	520	45
MPC6-1BWD12V	465	Blue	Diffused	12V	310	45
MPC6-1WD12V	x=0.28, y=0.30	White	Diffused	12V	2610	45
MPC6-1RD24V	625	Red	Diffused	24V	310	45
MPC6-1GD24V	525	Green	Diffused	24V	2090	45
MPC6-1YD24V	590	Yellow	Diffused	24V	520	45
MPC6-1BWD24V	465	Blue	Diffused	24V	310	45
MPC6-1WD24V	x=0.28, y=0.30	White	Diffused	24V	2610	45
MPC6-1RD110V	625	Red	Diffused	110V	20	45
MPC6-1GD110V	525	Green	Diffused	110V	165	45
MPC6-1YD110V	590	Yellow	Diffused	110V	40	45
MPC6-1BWD110V	465	Blue	Diffused	110V	20	45
MPC6-1WD110V	x=0.28, y=0.30	White	Diffused	110V	145	45
MPC6-1RD220V	625	Red	Diffused	220V	10	45
MPC6-1GD220V	525	Green	Diffused	220V	80	45
MPC6-1YD220V	590	Yellow	Diffused	220V	20	45
MPC6-1BWD220V	465	Blue	Diffused	220V	10	45
MPC6-1WD220V	x=0.28, y=0.30	White	Diffused	220V	70	45

**ABSOLUTE MAXIMUM RATINGS (Ta = 25°C)**

POWER INPUT \_\_\_\_\_ 0.5W MAX  
 OPERATING TEMPERATURE RANGE \_\_\_\_\_ -40°C ~ 80°C  
 STORAGE TEMPERATURE \_\_\_\_\_ -40°C ~ 80°C  
 TERMINAL SOLDERING TEMPERATURE \_\_\_\_\_ 260°C, 5s

STANDARD TOLERANCE (UNLESS OTHERWISE SPECIFIED) DECIMALS                      ANGULAR		 4 THOMAS, IRVINE, CA. 92618 TEL: (949) 951-8808    FAX: (949) 951-3974	
			
DESIGNED: <b>M. Doan</b>	DATE: <b>08/15/14</b>	<b>TITLE:</b> MPC6-1 SERIES, IP54 RATED PANEL MOUNT INDICATOR	
CHECKED: <b>B. Oliver</b>	DATE: <b>08/15/14</b>	<b>PART NO:</b> MPC6-1XDXXV	<b>REVISION:</b> B
		<b>CAGE CODE :</b> 32559	<b>SHEET #</b> 2 OF 2
CAD GENERATED DOCUMENT. DO NOT MEASURE DRAWING.			