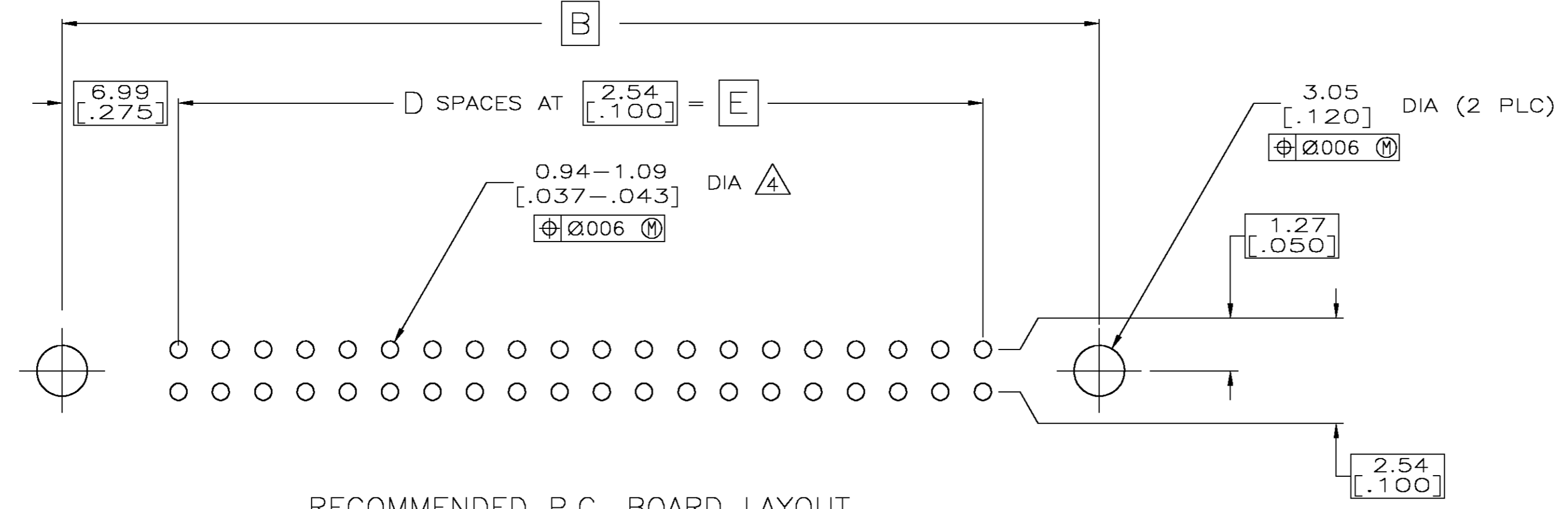
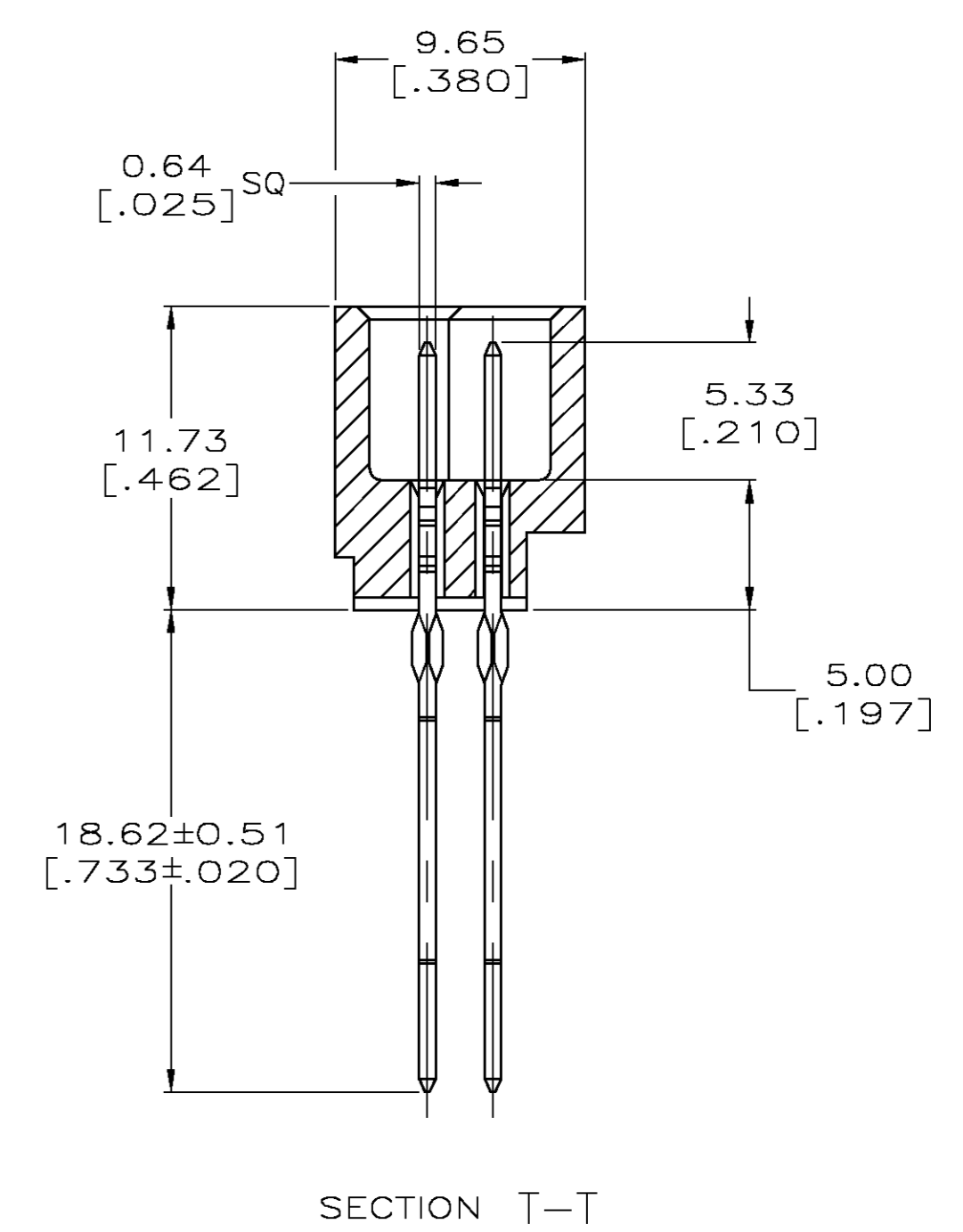
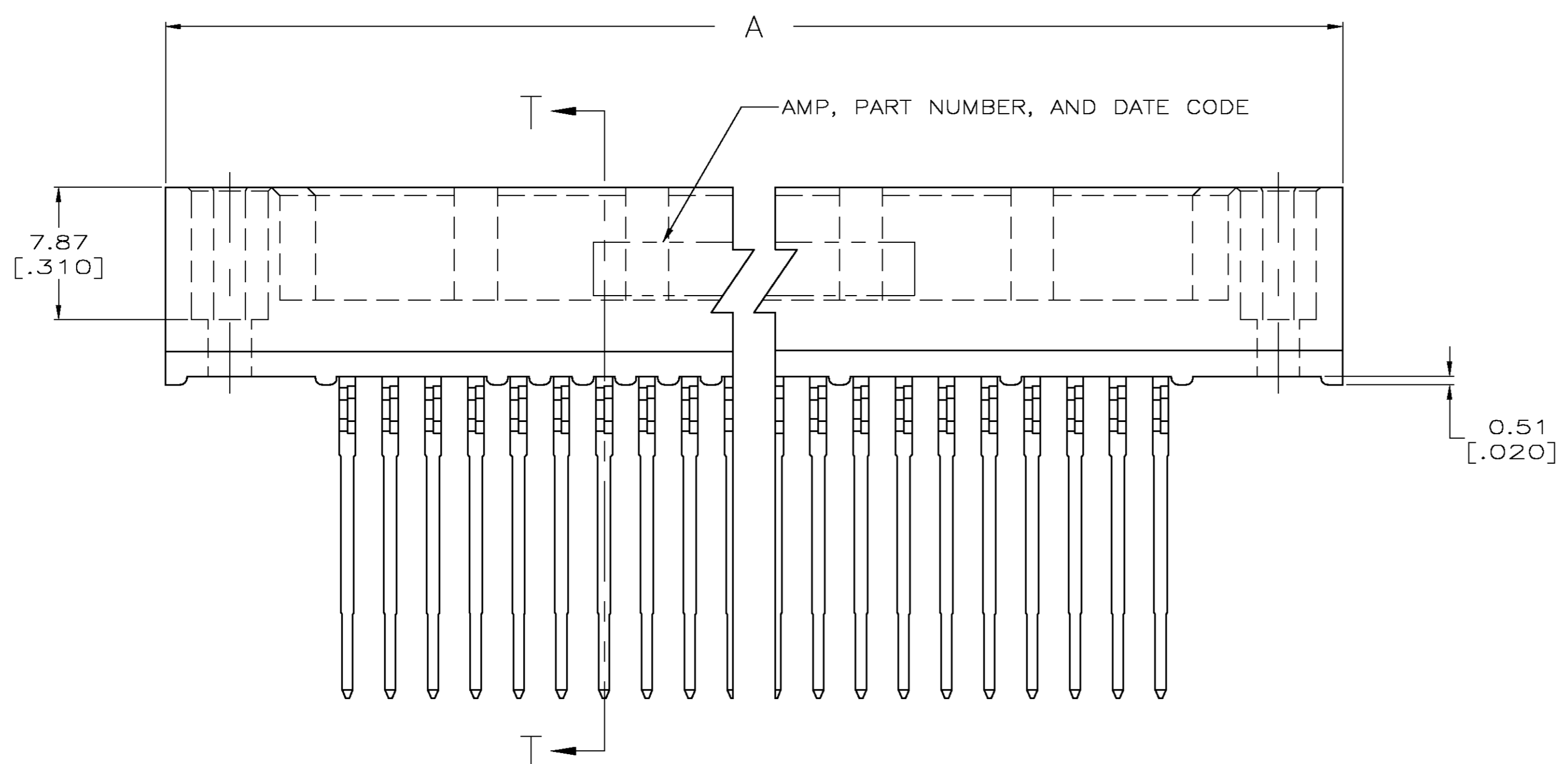
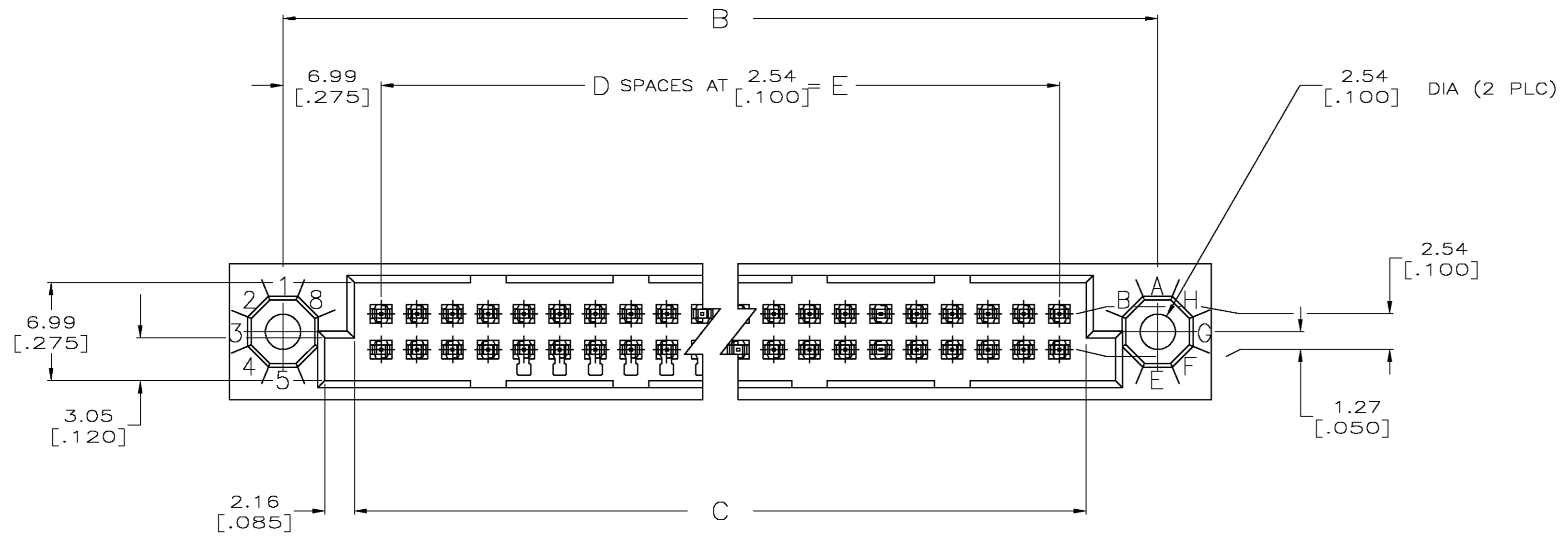


LOC		DIST		REVISIONS			
AD	25	P	LTR	DESCRIPTION	DATE	DWN	APVD
		0		RELEASED PER EC 0512-0038-05	11MAY05	JDP	AMS



- ① HOUSING MATERIAL: THERMOPLASTIC, COLOR-NATURAL.
- ② CONTACT MATERIAL: PHOSPHOR BRONZE.
- ③ CONTACT FINISH: .00127-.00254 [.000050-.000100] NICKEL UNDERPLATE ALL OVER; .000762 [.000030] GOLD PLATE IN CONTACT AREA, TIN PLATED POSTS.
- ④ ACTION PIN POSTS REQUIRE 2.36 [.093] MIN THICK P.C. BOARD. RECOMMENDED P.C. BOARD HOLES ARE 1.151 [.0453] DIA PLATED THRU WITH 0.025-0.076 [.001-.003] COPPER, WITH 0.0076 [.0003] MIN TIN-LEAD PLATING; FINISHED HOLE AFTER PLATING 0.94-1.09 [.037-.043] DIA.

187.96 [7.400]	74	191.77 [7.550]	201.93 [7.950]	209.55 [8.250]	150	1-5532429-4
E	D	C	B	A	POSN	
THIS DRAWING IS A CONTROLLED DOCUMENT.						
DIMENSIONS: mm (INCHES)		TOLERANCES UNLESS OTHERWISE SPECIFIED:		MATERIAL		
0 PLC ± -		1 PLC ± -		① ②		
2 PLC ± -		3 PLC ± 0.13 [.005]		③		
4 PLC ± -		ANGLES ± -		FINISH		
APPROVALS:		DRAWING NO:		RESTRICTED TO:		
DWN: J. POLIGNONE 11MAY05		A1 00779		C=5532429		
CHK: A. SHARPE 11MAY05		DRAWING NO: 5532429		SCALE: 4:1		
APPROVALS:		DRAWING NO: 5532429		SHEET 1 OF 1		
APPROVALS:		DRAWING NO: 5532429		REV Q		