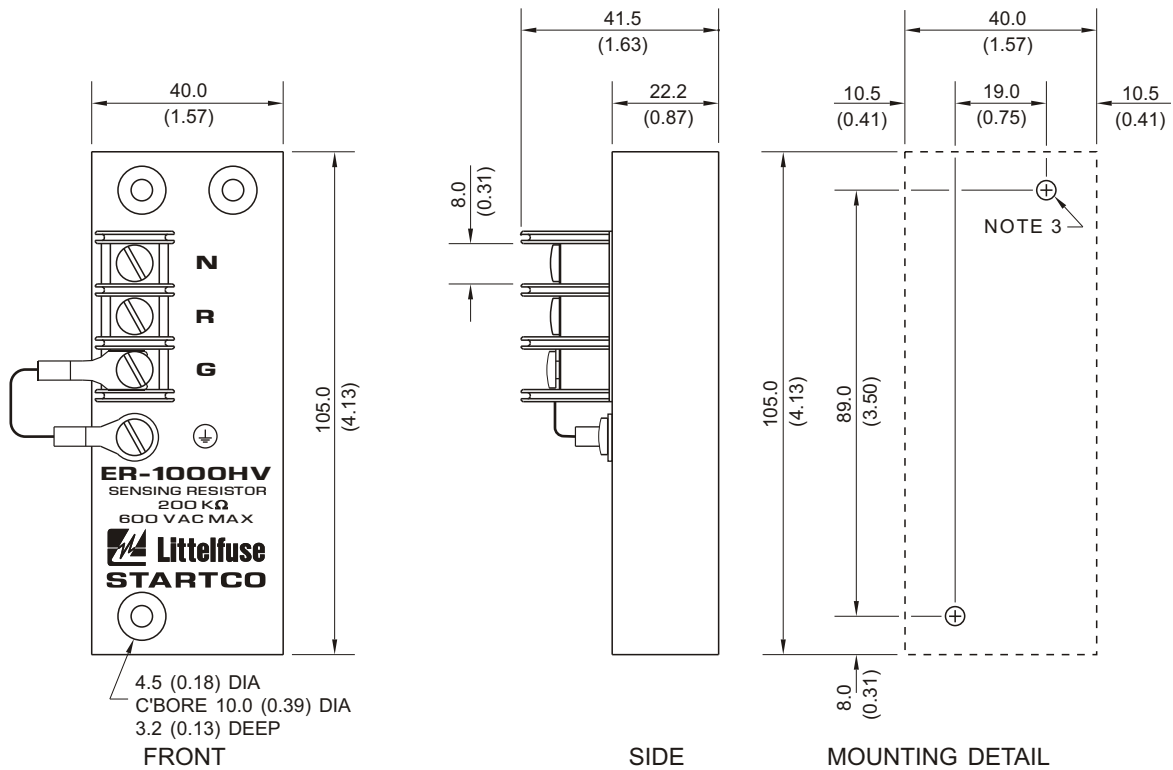


RATINGS:

MAXIMUM VOLTAGE . 600 Vac
 MAXIMUM CURRENT . 3 mA
 RESISTANCE 200 kΩ
 THERMAL CONTINUOUS



NOTES:

1. DIMENSIONS IN MILLIMETRES (INCHES).
2. TERMINAL-BLOCK SCREWS: 6-32 x 0.25.
3. MOUNTING SCREWS: M4 OR 8-32.
4. ENCLOSURE IS ELECTRICALLY CONNECTED TO TERMINAL G THROUGH JUMPER FROM TERMINAL G TO ⚡ SCREW. THIS CONNECTION MAY BE REMOVED FOR DIELECTRIC STRENGTH TESTING. ENSURE THAT THE JUMPER IS INSTALLED AFTER TESTING.

ER-1000HV SENSING RESISTOR