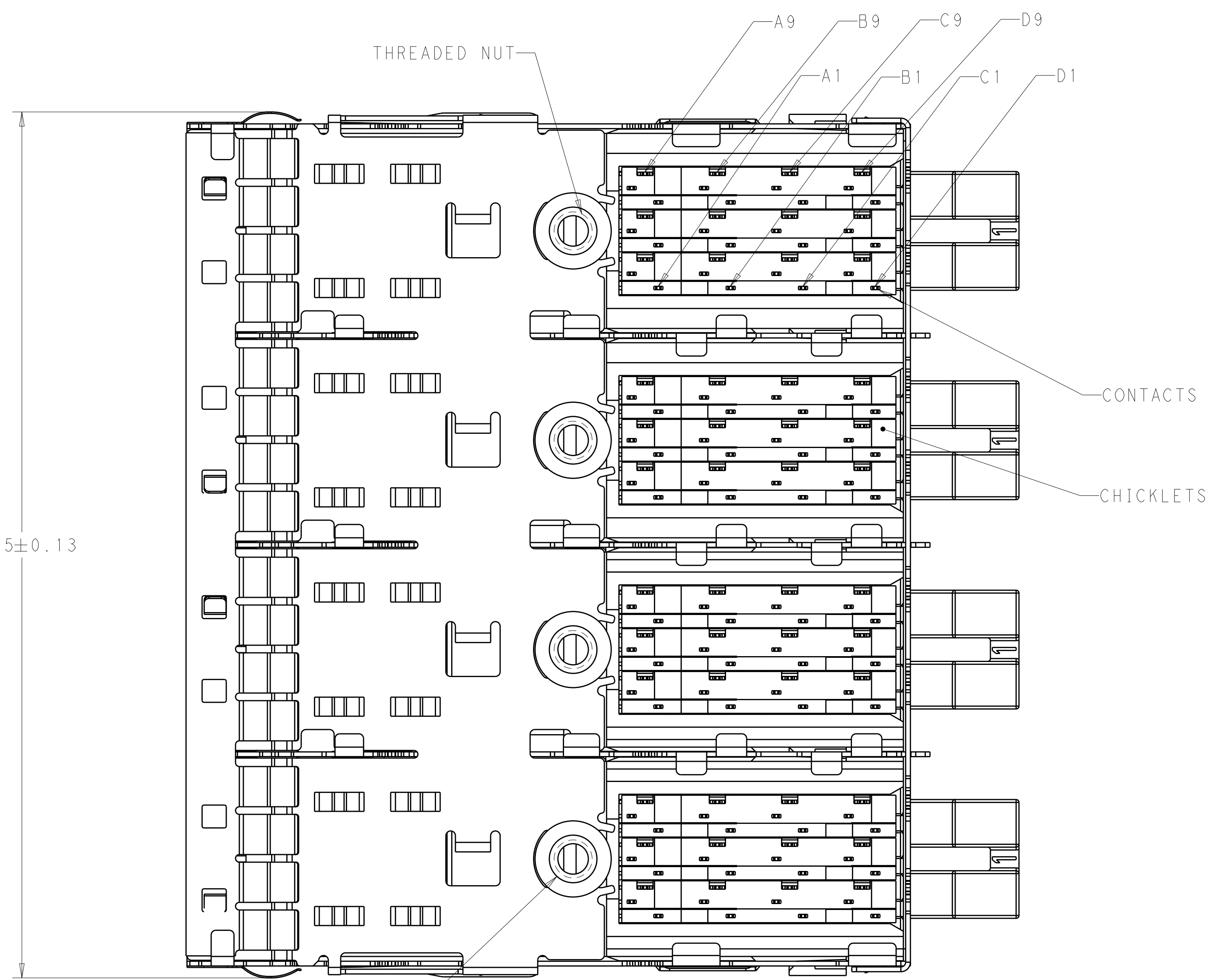
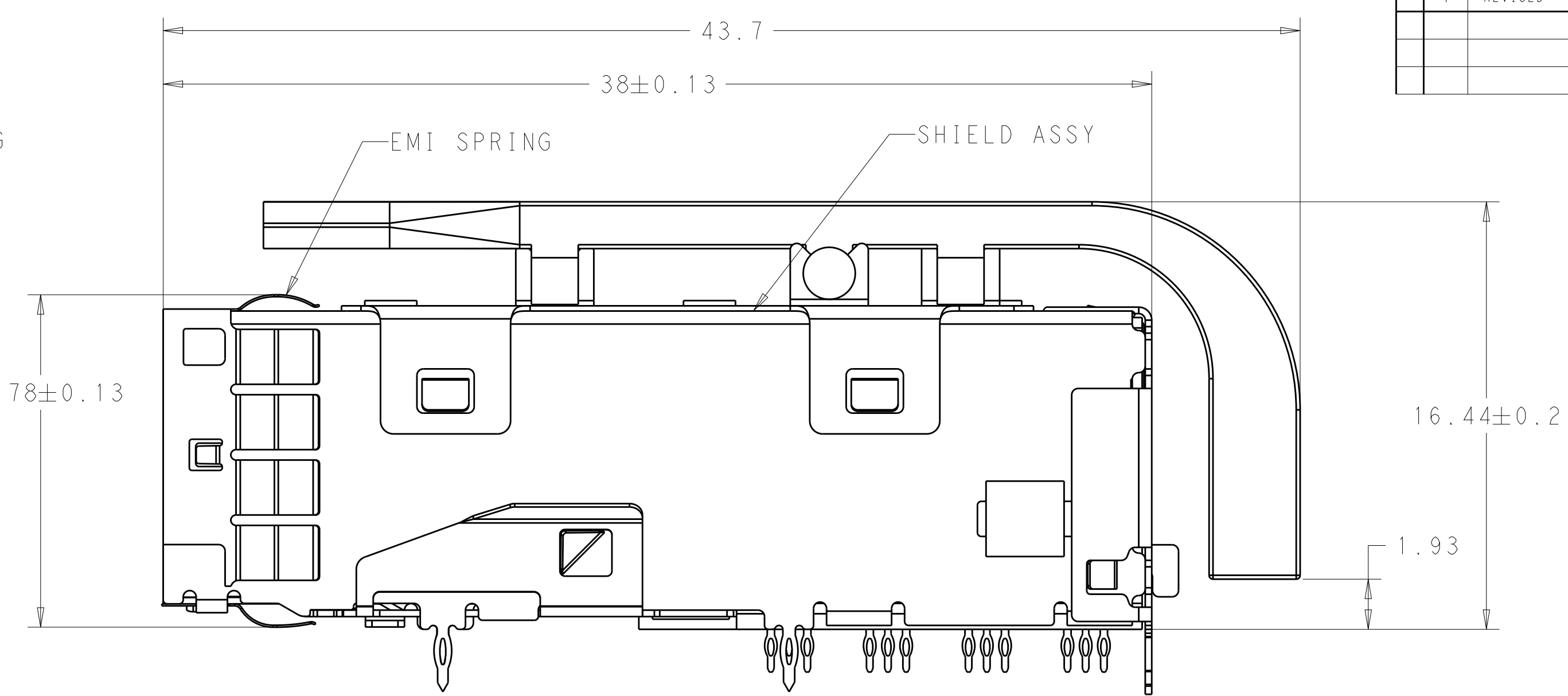
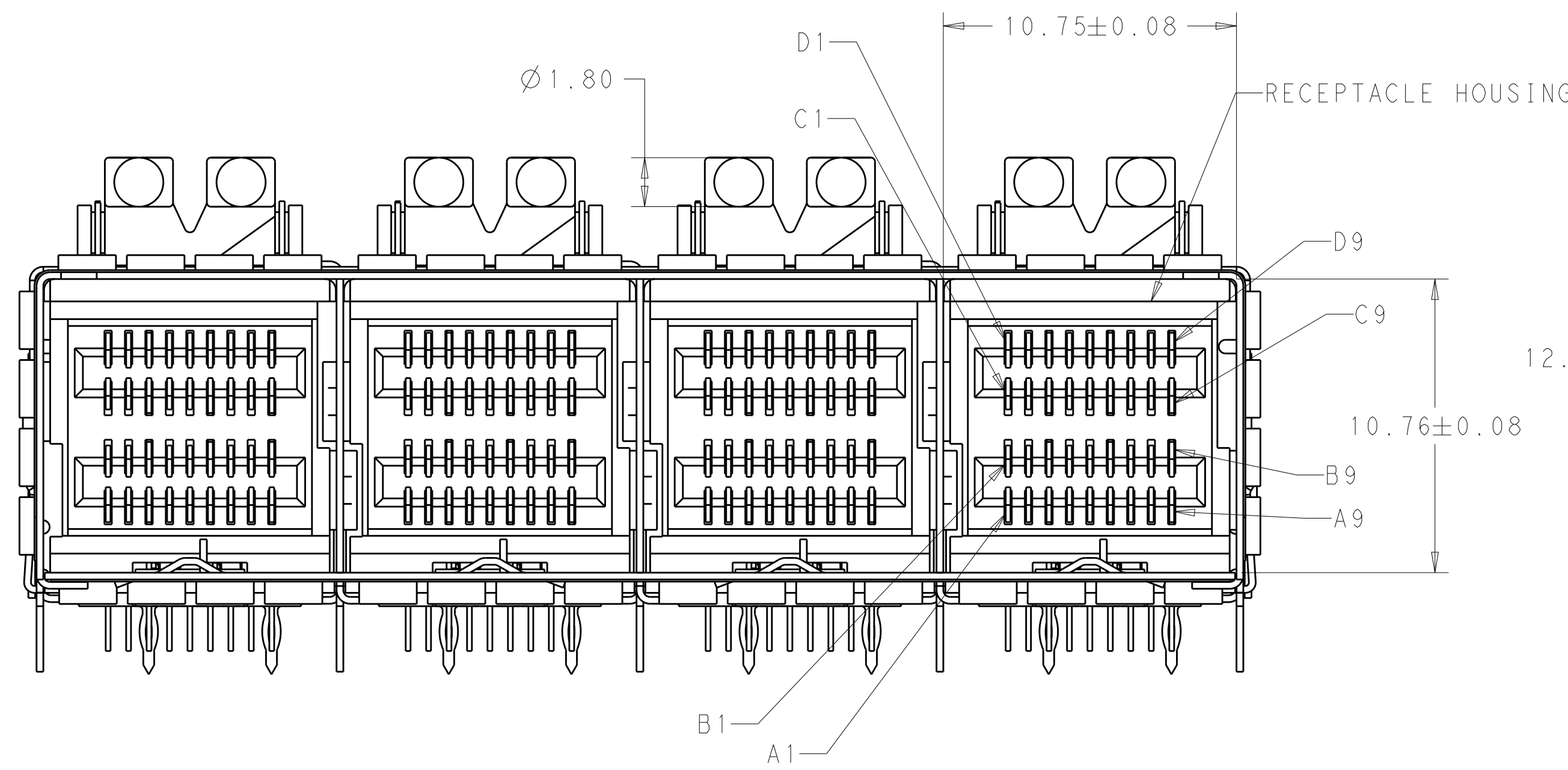


| LOC |     | DIST        |           | REVISIONS |      |  |  |
|-----|-----|-------------|-----------|-----------|------|--|--|
| P   | LTN | DESCRIPTION | DATE      | DWN       | APVD |  |  |
| 7   |     | REVISED     | 21DEC2012 | MEC       | JS   |  |  |

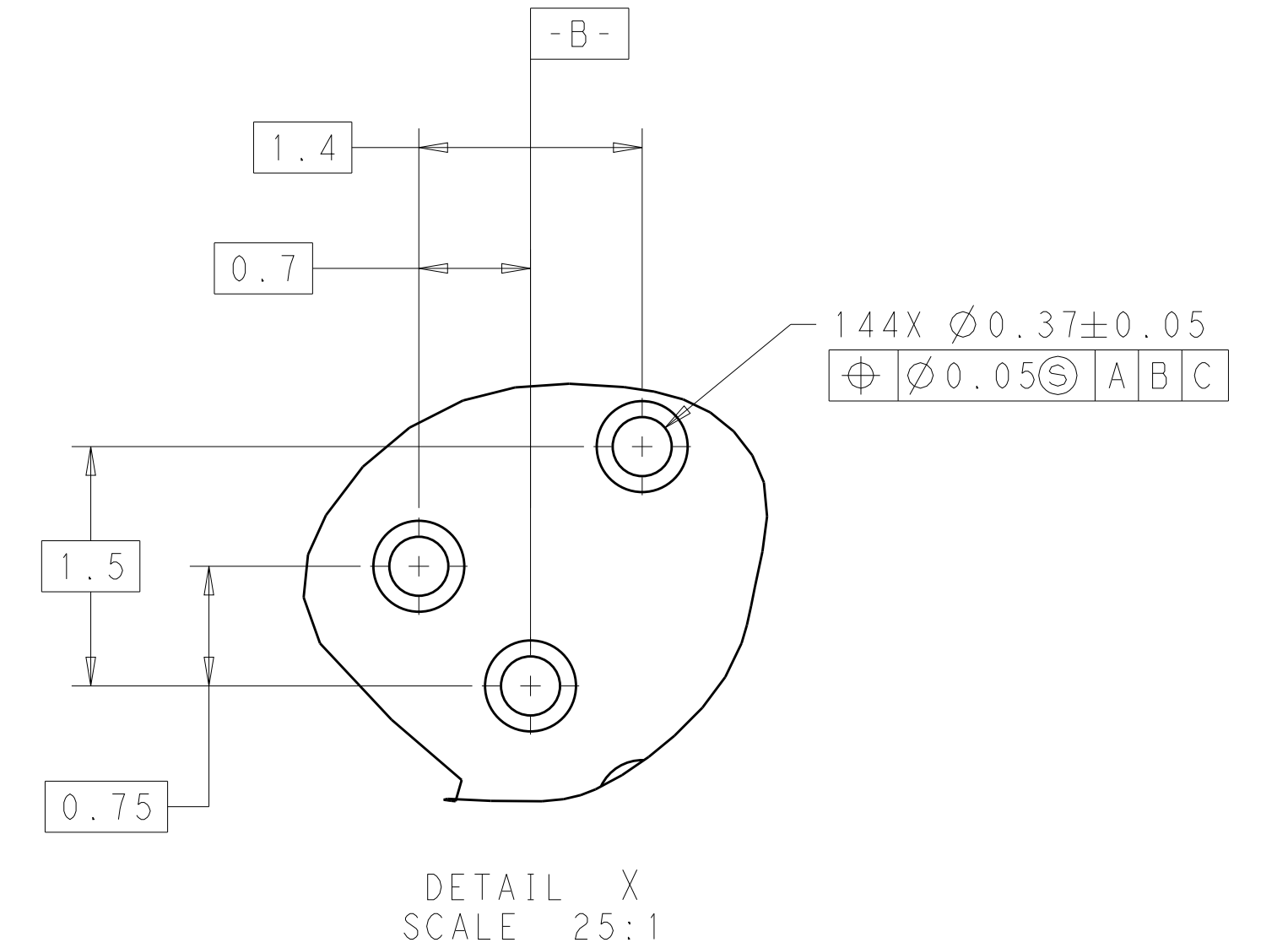
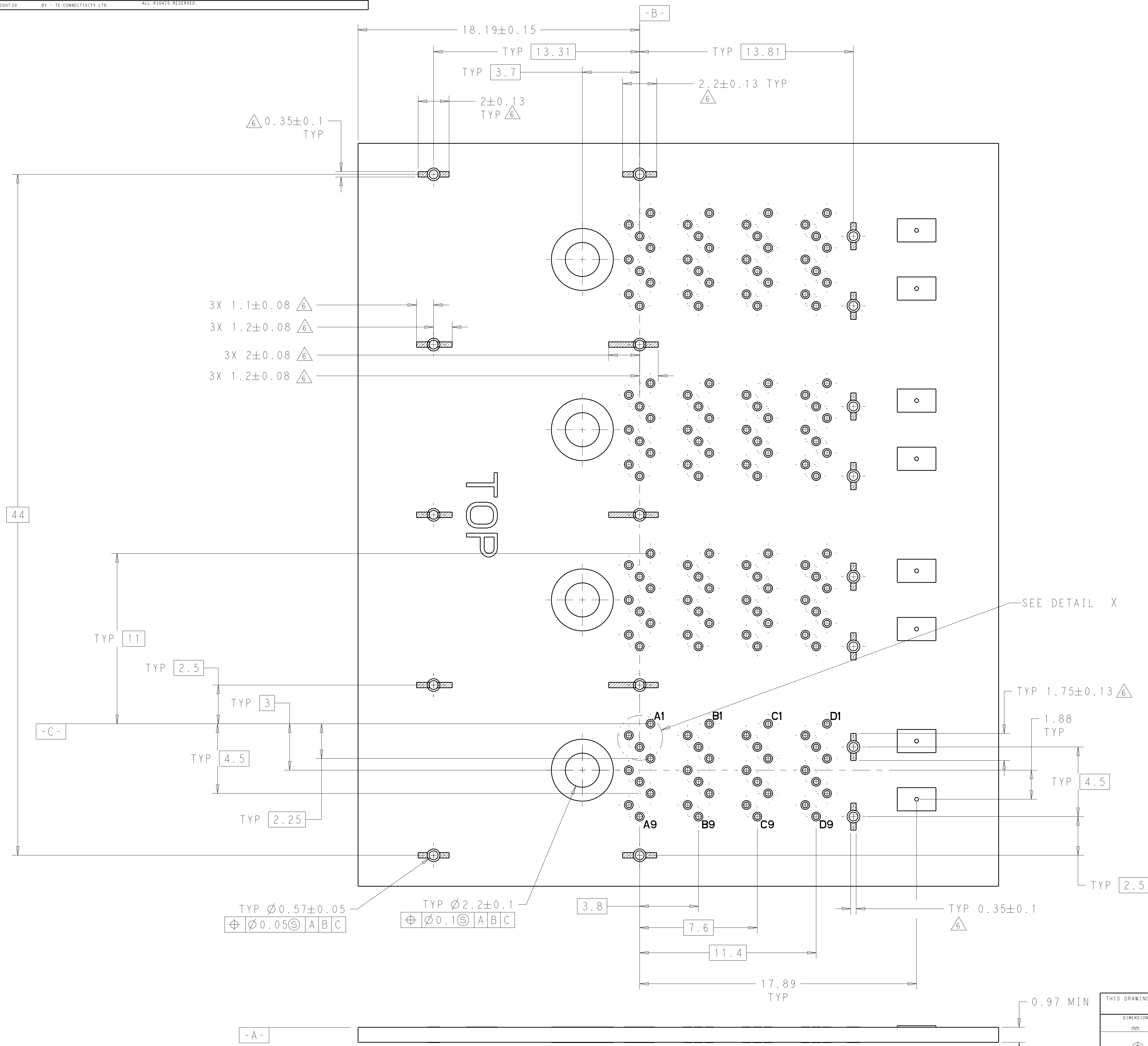


1. MATERIALS  
 RECEPTACLE HOUSING: LCP, BLACK, UL94V-0 RATED  
 SHIELD ASSY: NICKEL-SILVER COPPER ALLOY  
 CONTACTS: COPPER ALLOY  
 EMI SPRING: COPPER ALLOY  
 THREADED NUT: BRASS  
 CHICKLETS: LCP, BLACK, UL 94V-0 RATED  
 LIGHTPIPE CLIP: STAINLESS STEEL  
 LIGHTPIPE: POLYCARBONATE
2. FINISH  
 EMI SPRING: TIN PLATE OVER NICKEL PLATE  
 NON-PLATED EDGES PERMISSABLE  
 THREADED NUT: NICKEL PLATE
3. CONTACT FINISH: CONFORMS TO THE REQUIREMENTS OF TE PRODUCT SPECIFICATION, 108-2462. BASED ON EIA/ECA-364-1000.01A. (CONTROLLED ENVIRONMENT APPLICATIONS) ON MATING END. TIN PLATED ON PCB TAIL
4. THREAD LENGTH OF FASTENER = PCB THICKNESS+1.45 MAX
5. THIS PRODUCT HAS NOT COMPLETED VALIDATION/QUALIFICATION TESTING
6. RECOMMENDED TRACE KEEP OUT ZONE

2180736-1  
PART NUMBER

|  |              |                             |   |
|--|--------------|-----------------------------|---|
| THIS DRAWING IS A CONTROLLED DOCUMENT. |              | DWN: P. KERLIN 25MAY2011    | TE Connectivity   |
| DIMENSIONS:                            |              | CHK: J. SECHRIST 25MAY2011  |   |
| mm                                     | 0 PLC ±0.25  | APVD: -                     | NAME: RECEPTACLE ASSEMBLY, MINI-SAS HD, 4X W/ LIGHT PIPES |
|  | 1 PLC ±0.13  | PRODUCT SPEC: 108-2462      | SIZE: A1  |
|  | 2 PLC ±0.13  | APPLICATION SPEC: 114-13316 | CAGE CODE: C=2180736                                      |
|  | 3 PLC ±0.13  | WEIGHT: -                   | RESTRICTED TO: -  |
|  | 4 PLC ±0.13  | CUSTOMER DRAWING            | SCALE: 6:1 SHEET 1 OF 3 REV 7                             |
|  | ANGLES ±0.13 |                             |   |
|  | FINISH       |                             |   |

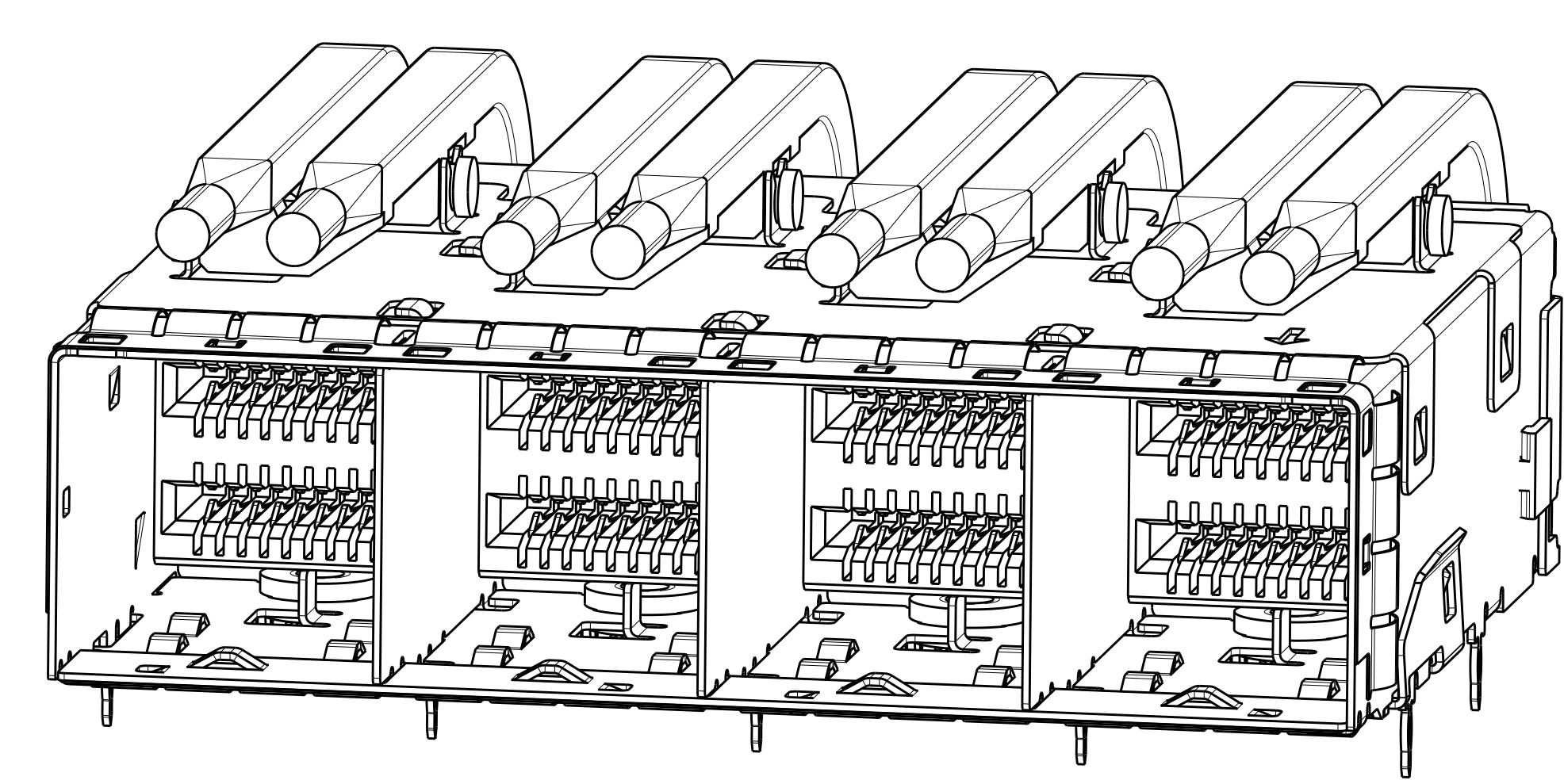
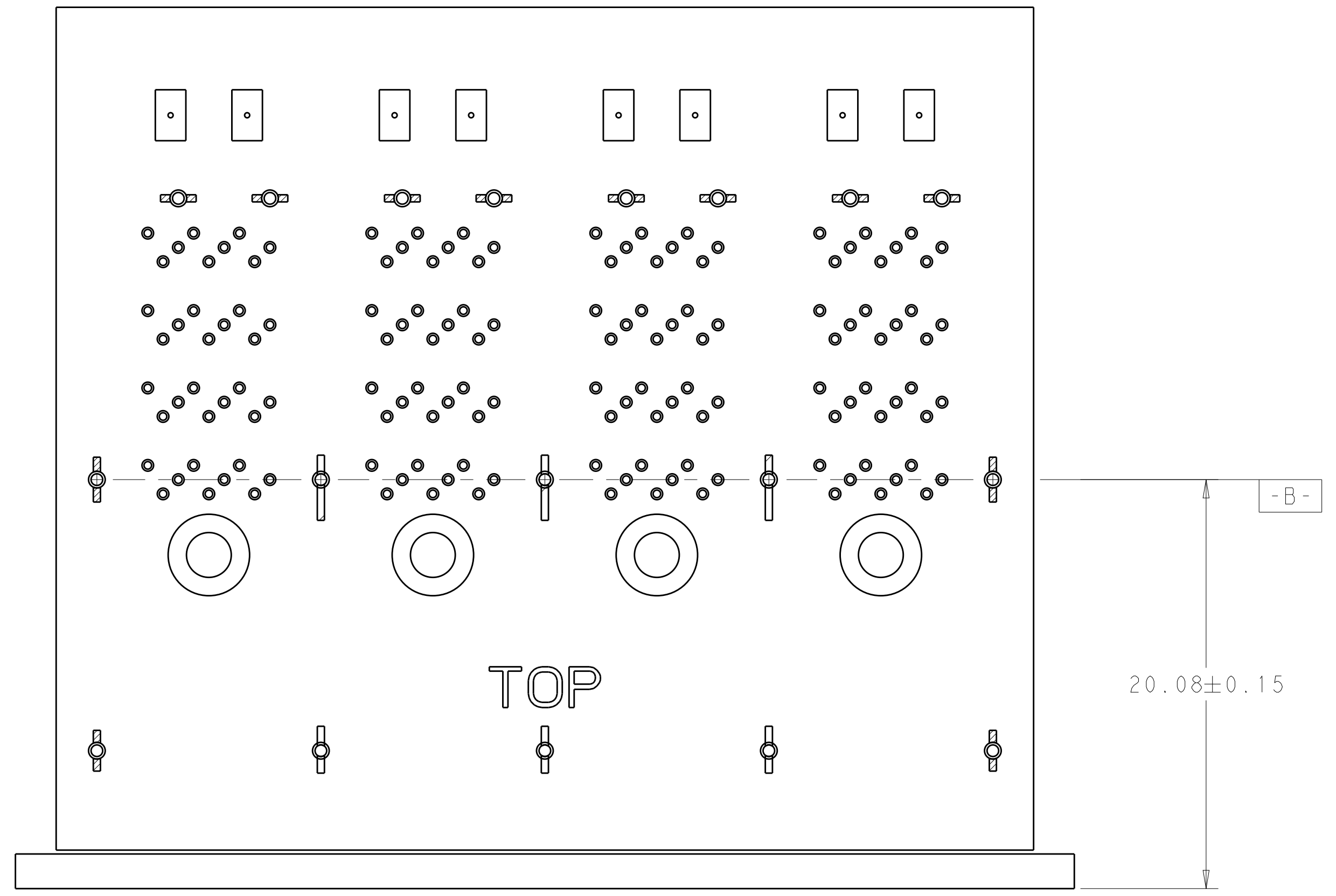
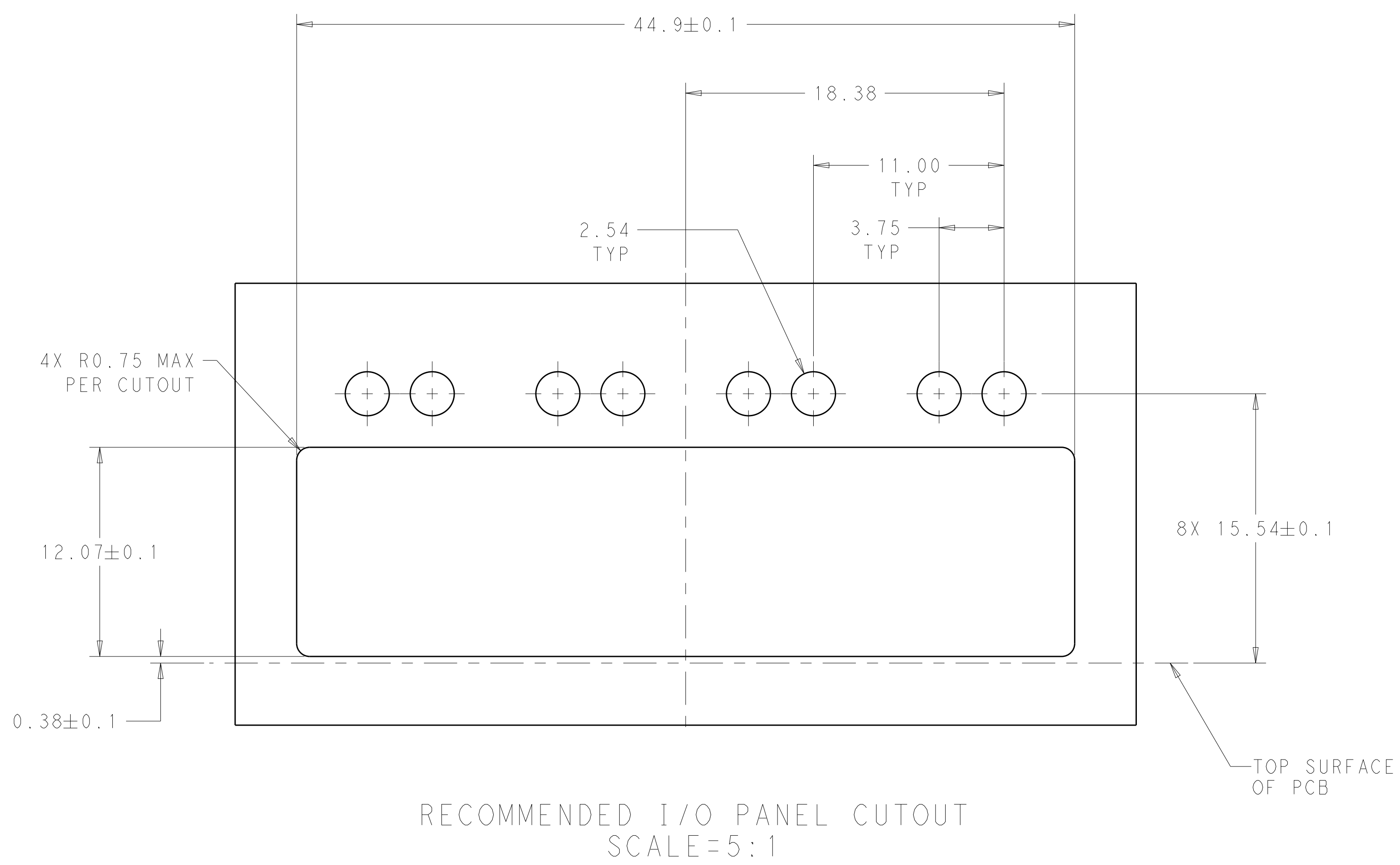
| LOC |     | DIST        |      | REVISIONS |      |  |  |
|-----|-----|-------------|------|-----------|------|--|--|
| P   | LTN | DESCRIPTION | DATE | DMN       | APVD |  |  |
| -   | -   | SEE SHEET 1 | -    | -         | -    |  |  |



RECOMMENDED PCB LAYOUT

|  |             |                           |   |
|--|-------------|---------------------------|---|
| THIS DRAWING IS A CONTROLLED DOCUMENT. |             | DMN P. KERLIN 25MAY2011   | TE Connectivity                                     |
| DIMENSIONS: mm                         |             | CHK J. SECHRIST 25MAY2011 |   |
| TOLERANCES UNLESS OTHERWISE SPECIFIED: |             | APVD -                    | NAME  |
| 0 PLC ±                                | 1 PLC ±0.25 | PRODUCT SPEC              | RECEPTACLE ASSEMBLY, MINI-SAS HD, 4X W/ LIGHT PIPES |
| 2 PLC ±0.13                            | 3 PLC ±     | APPLICATION SPEC          | SIZE CAGE CODE DRAWING NO RESTRICTED TO             |
| 4 PLC ±                                | 5 PLC ±     | 114-13316                 | A100779C=2180736                                    |
| ANGLES ±                               | FINISH      | WEIGHT                    | SCALE 6:1 SHEET 2 OF 3 REV 7                        |
| MATERIAL                               |             | CUSTOMER DRAWING          |   |

| LOC | DIST | REVISIONS   |      |     |      |
|-----|------|-------------|------|-----|------|
| P   | LTN  | DESCRIPTION | DATE | DWN | APVD |
| -   | -    | SEE SHEET 1 | -    | -   | -    |
|     |      |             |      |     |      |
|     |      |             |      |     |      |



|  |   |  |                        |   |
|--|---|--|------------------------|---|
| THIS DRAWING IS A CONTROLLED DOCUMENT. |   | DWN<br>P. KERLIN<br>CHK<br>J. SECHRIST | 25MAY2011<br>25MAY2011 | <br>TE Connectivity                                       |
| DIMENSIONS:                            |   | APVD                                   |                        |   |
| mm                                     | 0 PLC ±<br>1 PLC ±0.25<br>2 PLC ±0.13<br>3 PLC ±<br>4 PLC ± | PRODUCT SPEC                           |                        | RECEPTACLE ASSEMBLY,<br>MINI-SAS HD, 4X<br>W/ LIGHT PIPES |
|  | ANGLES ±  | APPLICATION SPEC                       |                        |   |
| MATERIAL                               | FINISH  | 114-13316                              | WEIGHT                 | SIZE CAGE CODE DRAWING NO                                 |
|  |   |  |                        | A100779C=2180736  |
| CUSTOMER DRAWING                       |   | SCALE 6:1                              |                        | SHEET 3 OF 3 REV 7  |