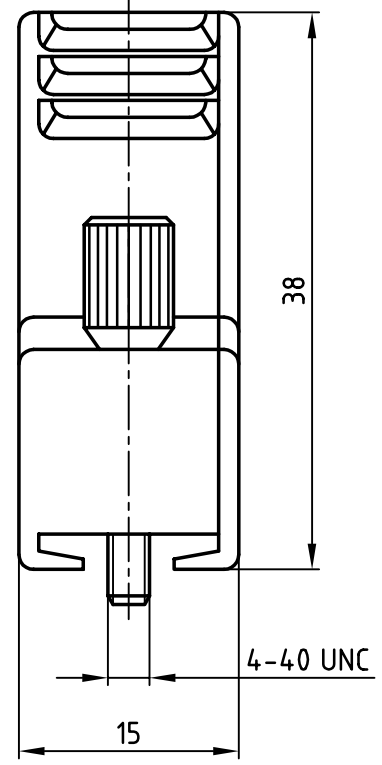
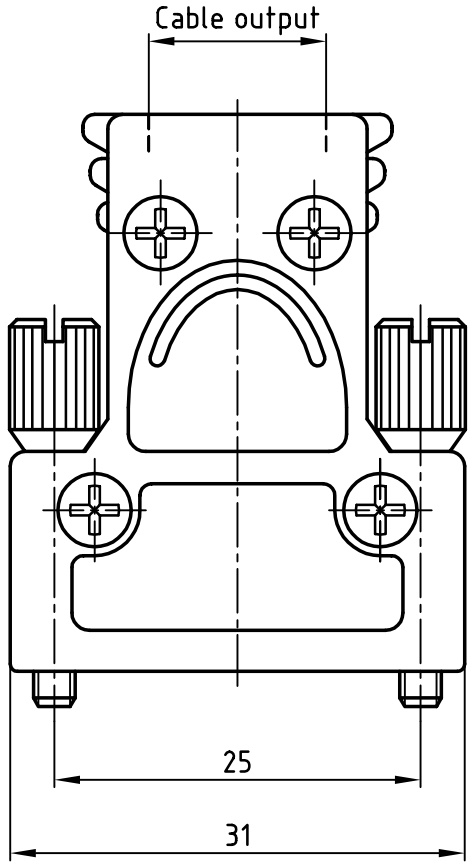


used for: D-SUB



APPROVAL # FREIGABE # DEBLOCAGE # AUTORIZACION # APPROVAL

CUSTOMER APPROVAL DATE:

NAME: TITLE:

COMPANY NAME:

APPROVAL # FREIGABE # DEBLOCAGE # AUTORIZACION # APPROVAL

THIS DRAWING MAY NOT BE COPIED OR REPRODUCED IN ANY WAY, AND MAY NOT BE PASSED ON TO A THIRD PARTY WITHOUT WRITTEN PERMISSION. OWNERSHIP AND COPYRIGHT OF CONEC GmbH DO NOT ALTER CAD DRAWING BY HAND

rev.	description	date	name

tolerance	dim. in mm
2003	date
drawn	17.10.
appd.	17.10.
norm	
d-old	
<b>CONEC®</b>	

scale:	2:1
material:	HOOD: DIE-CAST ZINC
title:	<b>METAL HOOD</b> 9pos. EMI / RFI SHIELDING with jack screws
dwg no:	AutoCAD 2000
part no:	16K1A1027
	600X51209X
DIN-A	4
sh:	1/1