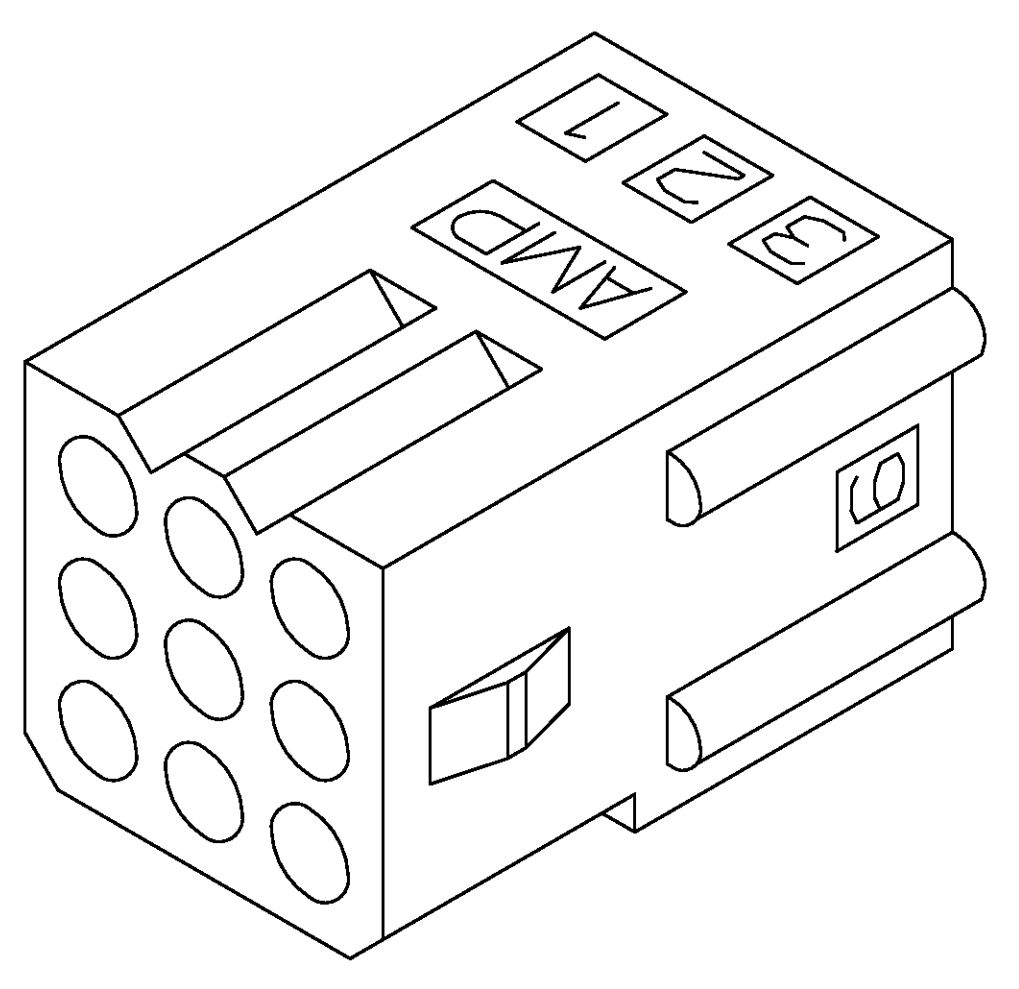
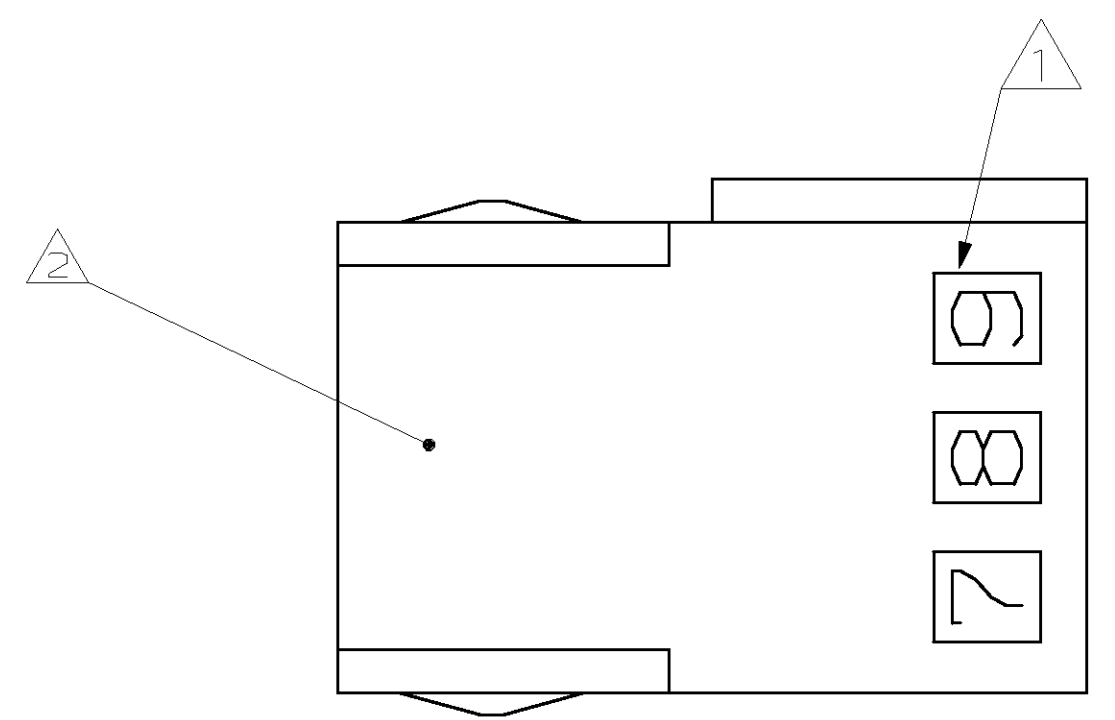
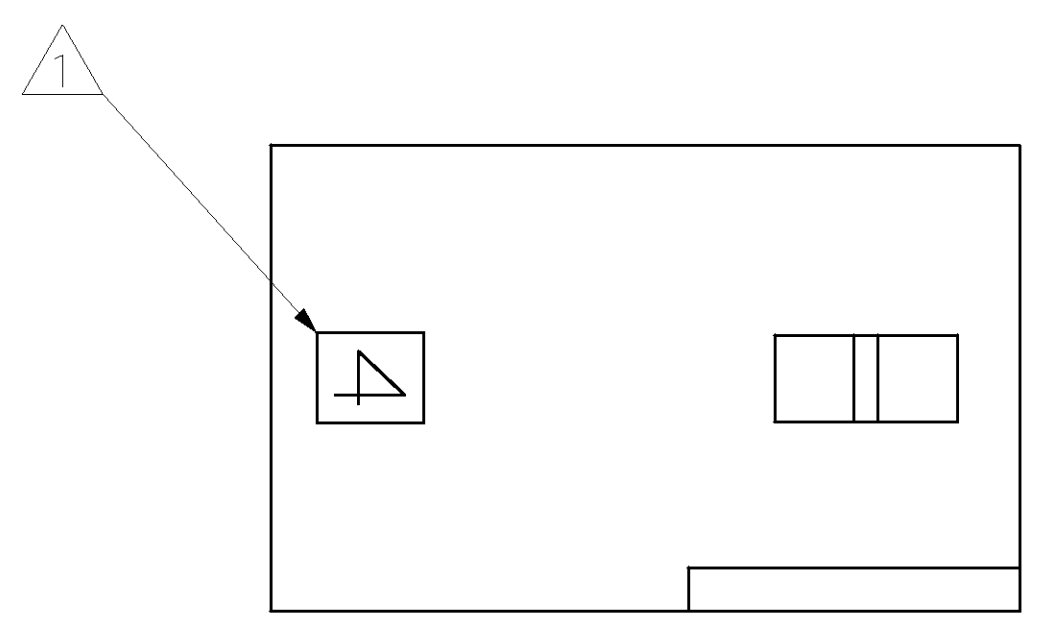
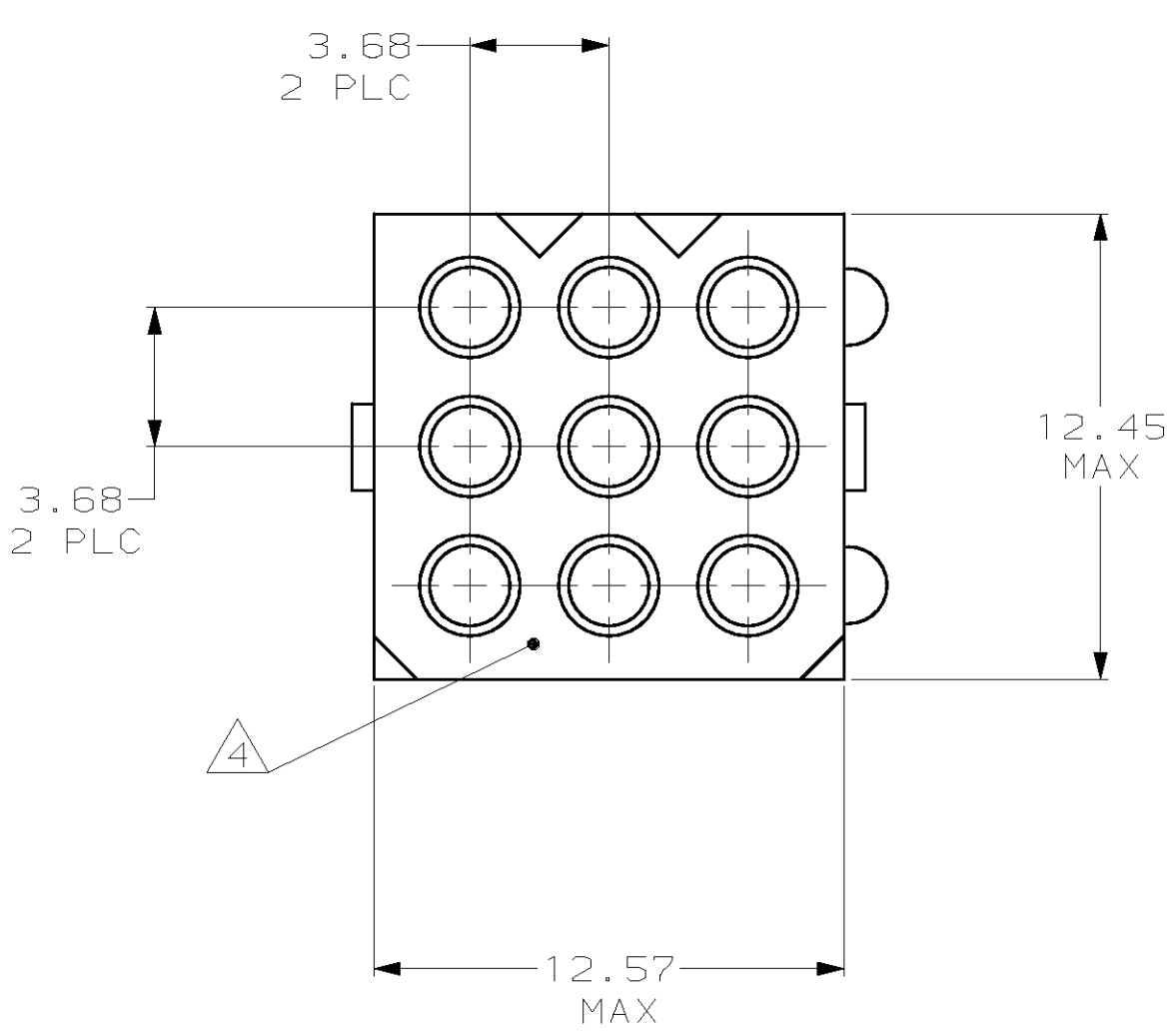
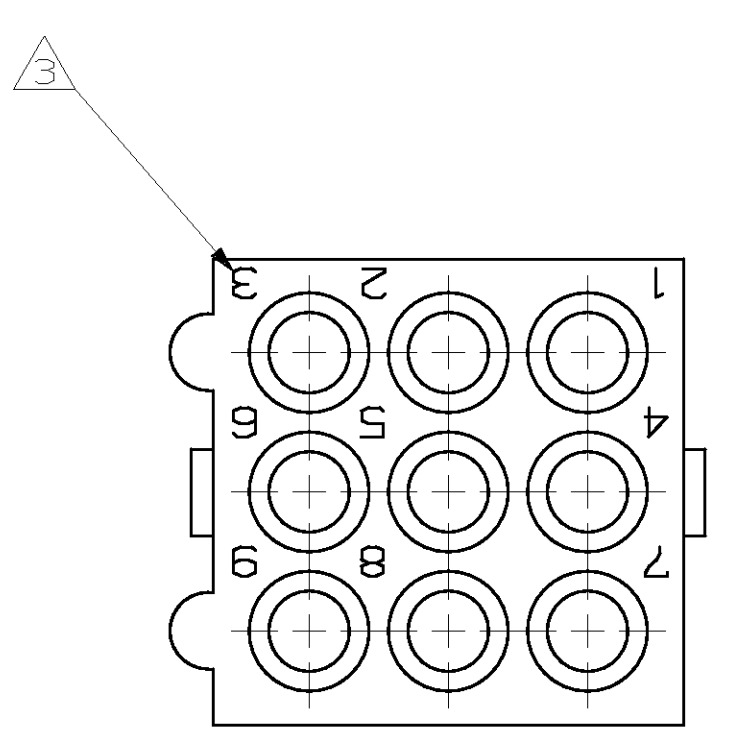
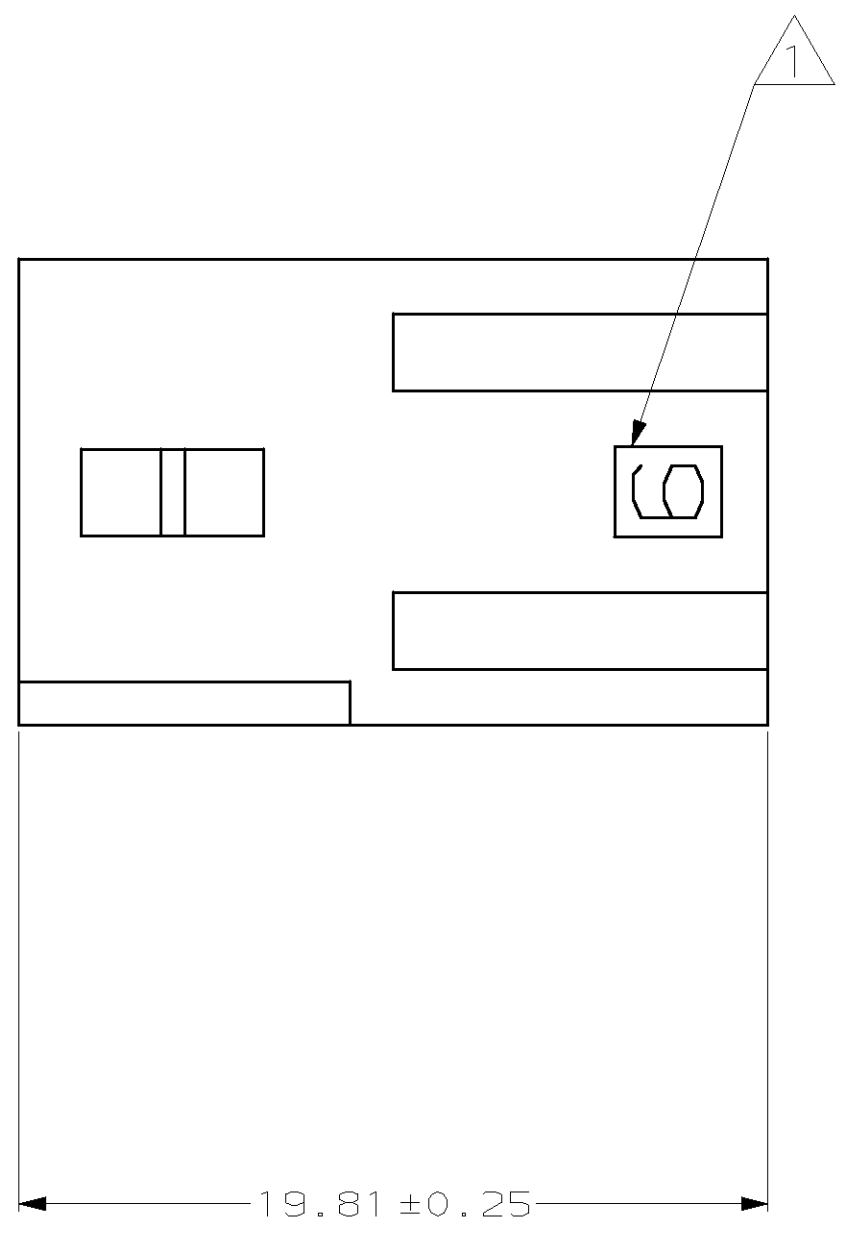
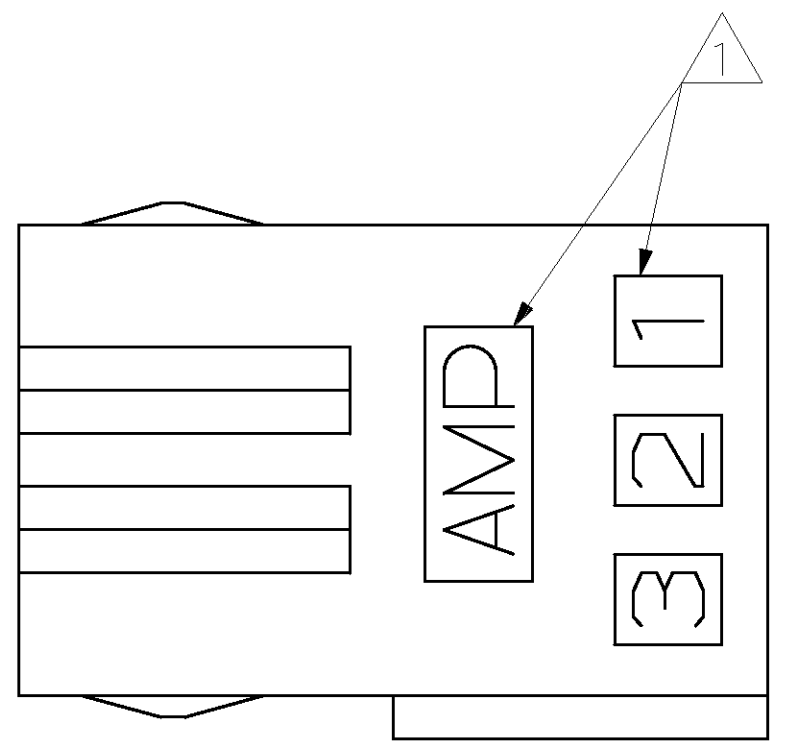


LOC	QTY	REV	DATE	BY	CHK	APPV
CM	53					

REVISIONS						
REV	DESCRIPTION	DATE	BY	CHK	APPV	
C	REV & REDWN PER EC OL30-0214-97	10-20-97	KW			RS

- ① AMP LOGO AND CIRCUIT NUMBERS LOCATED APPROXIMATELY AS SHOWN.
- ② CSA LOGO AND UL LOGO LOCATED ON THIS SURFACE.
- ③ CIRCUIT NUMBERS MAY OR MAY NOT APPEAR.
- ④ AMP LOGO MAY OR MAY NOT APPEAR ON THIS SURFACE.



3-DIMENSIONAL MODEL NTS

MM	IN
19.81	.780
12.57	.495
12.45	.490
3.68	.145
1.58	.062
0.25	.010
0.13	.005

CONVERSION TABLE

770429-1
PART NUMBER

METRIC

THIS DRAWING IS A CONTROLLED DOCUMENT.

DIMENSIONS:	TOLERANCES UNLESS OTHERWISE SPECIFIED:	OWN: K. WHITAKER	10-20-97
mm	9 PLC ± .13	CHK: R. SWING	10-20-97
	2 PLC ± .13	APPV: K. CORLE	10-20-97
	3 PLC ± .13	PRODUCT SPEC:	
	4 PLC ± .13	APPLICATION SPEC:	
	ANGLES ± .13	HEIGHT:	
MATERIAL: NYLON, JL 94V-2, NATURAL	FINISH: -	SCALE: 5:1	SHEET 1 OF 1

AMP Incorporated
Harrisburg, PA 17105-3608

RECEPTACLE, PANEL MOUNT, 9 CIRCUIT, .062 PIN AND SOCKET

SIZE: A1 007799-001
DRAWING NO: 770429
CUSTOMER DRAWING