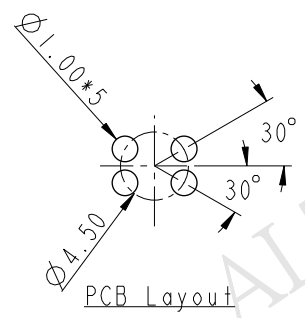
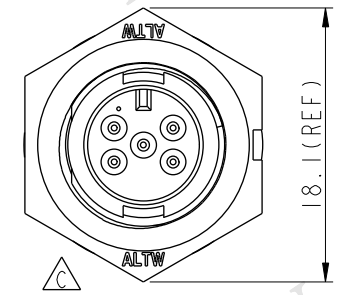
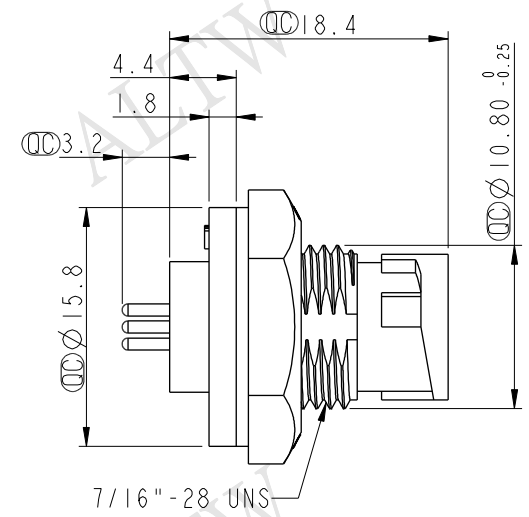
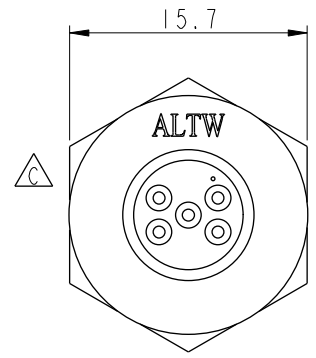
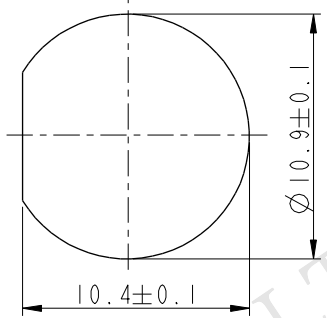


THIS DOCUMENT IS SUBJECT TO CHANGE WITHOUT NOTICE. IT IS CONFIDENTIAL AND A PROPERTY OF Amphenol LTW. DISCLOSURE TO THIRD PARTY HAS TO BE AUTHORIZED BY Amphenol LTW.

REV.	ECN NO.	DATE	SIGN	DESCRIPTION
B	LEN-8A0149	2008/09/15	Shin	Add Notes and Change to New Drawing Format
C	LEN1640076	2016/03/30	Vicky	Update Logo

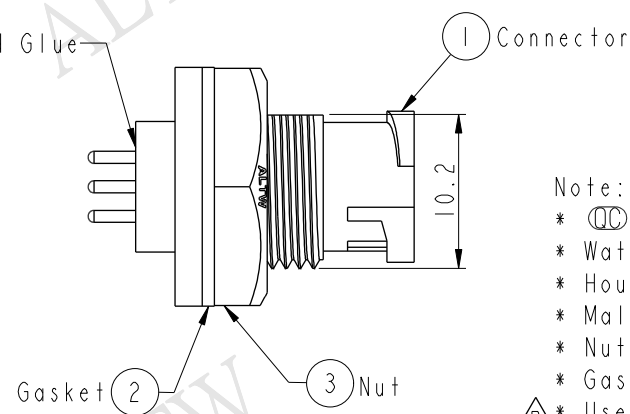


△B



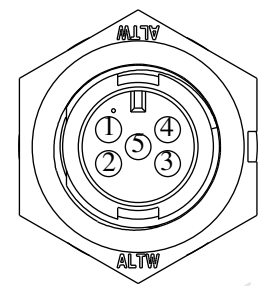
ALTW
CONFIDENTIAL
2016-03-30
R&D DEPT.

With Liquid Glue



Note:

- * \varnothing Important Dimension
- * Waterproof Rate: IP67
- * Housing: Nylon+GF, Black
- * Male Pin: Copper Alloy, Gold Plated
- * Nut: Nylon+GF, Black
- * Gasket: EPDM, Black
- △B * Use with waterproof cap or dust cap
Panel Thickness max: 2.5mm
- △B * Use without waterproof cap or dust cap
Panel Thickness max: 3.5mm



ALTW
DCC. DEPT.
CONFIDENTIAL
2016.04.11
ISSUED

UNIT: mm		
TOLERANCE	.X ±0.25	
	.XX ±0.1	
	.XXX ±0.05	
ANGLES	±1°	

TITLE Mini, Panel Lock 5Pin M Conn M Pin		
SCALE 2:1	SIZE A4	SHEET 1 OF 1
REV. C	WC-REV. A.1	\varnothing : Inspection item

Amphenol LTW
安費諾亮泰企業股份有限公司

ITEM NO. AU-05PMMP-LC7001	DRAWN BY Vicky	DATE 2016-03-30
DWG NO. AU-05PMMP-LC7001	CHECKED BY Rita	DATE 2016-03-30
CUSTOMER ALTW	APPROVED BY Lisa	DATE 2016-03-30

A

F

E

D

C

B

A

2

3

4

5

6

7

8

FMN10702-01-02A1