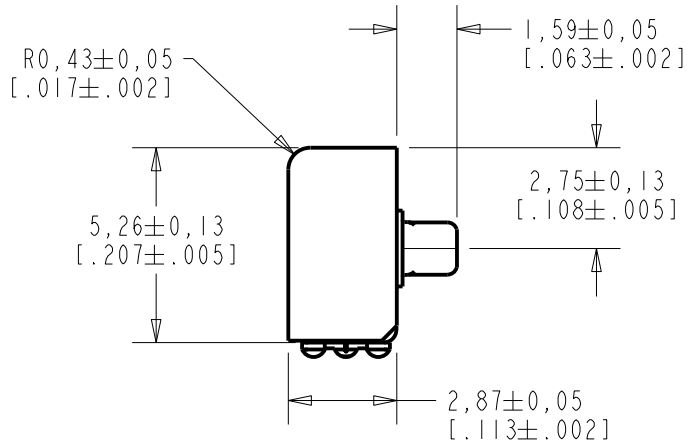
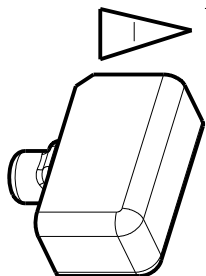
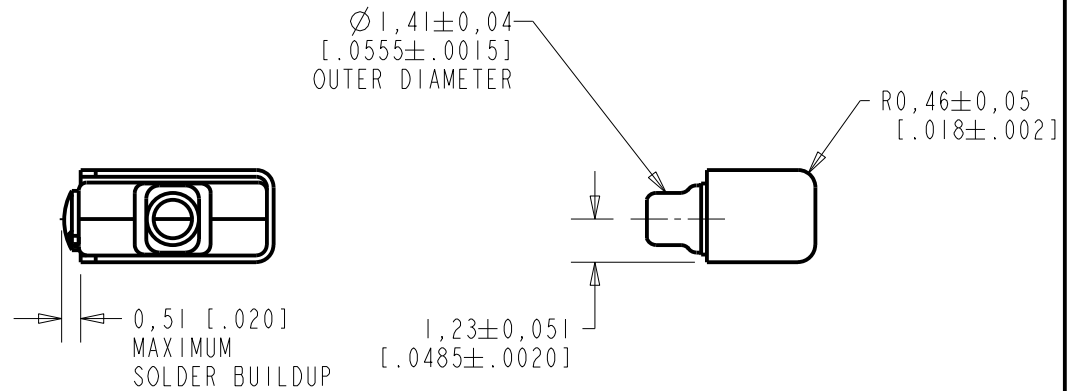
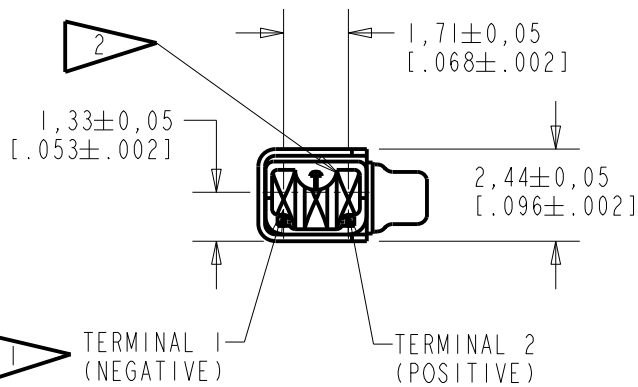


FK-26889-000
SHT 1.1



- NOTES:
- 1 A POSITIVE GOING VOLTAGE AT TERMINAL 2, RELATIVE TO TERMINAL 1, CAUSES A DECREASE IN PRESSURE AT THE SOUND OUTLET.
 - 2 TERMINAL ELECTRICALLY CONNECTED TO CASE.



NOMINAL WEIGHT
.12 GRAMS

DIMENSIONS IN MILLIMETERS [INCHES]

1 TERMINAL 1 (NEGATIVE)
2 TERMINAL 2 (POSITIVE)

Revision	C.O. #	Implementation Date	RELEASE LEVEL	REVISION
E	C10114032	11-8-12	Active	E
D	C10111937	12-31-10		

SCALE: 5:1		DR. BY	DATE
DO NOT SCALE DRAWING		MMM	7-31-06
		CK. BY	DATE
TITLE: RECEIVER OUTLINE DRAWING		GJP	8-4-06
		FK-26889-000 SHT 1.1	
		GJP	8-4-06

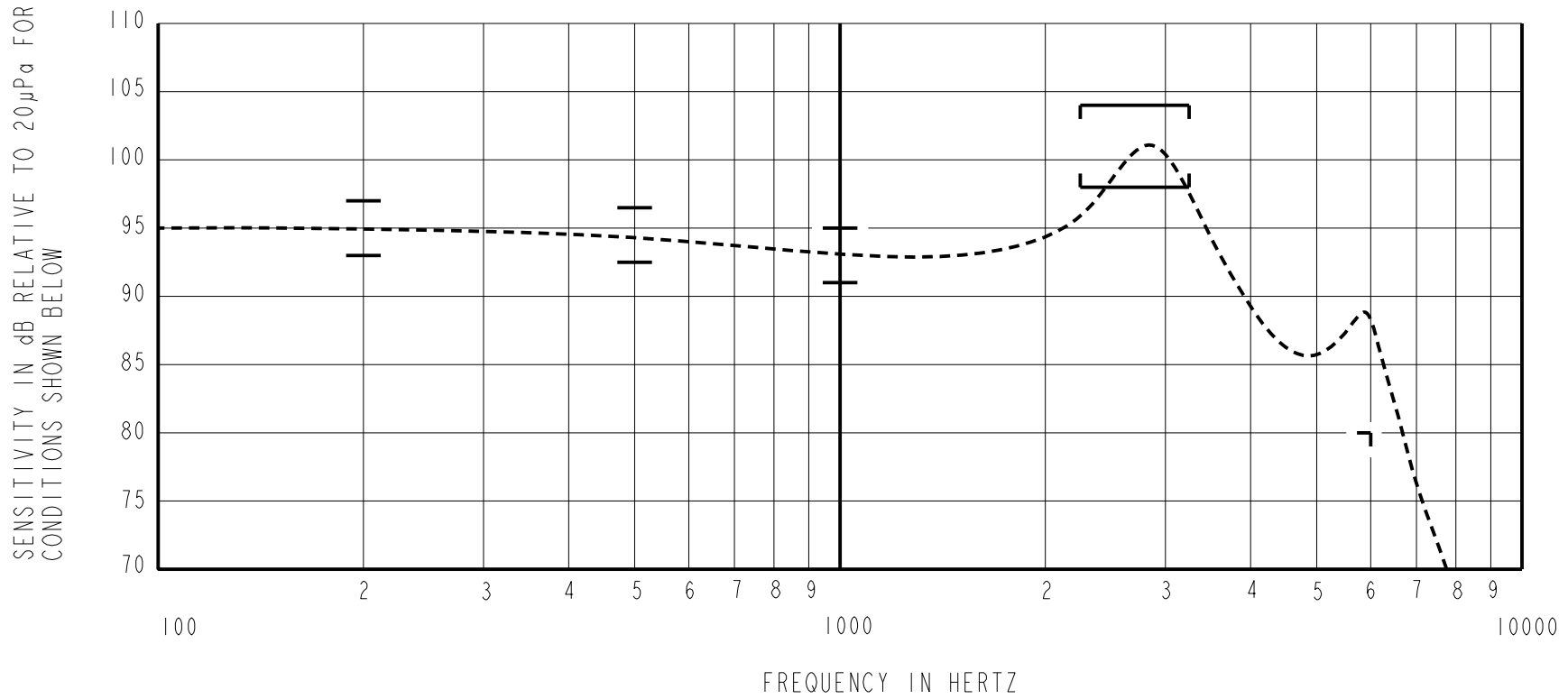
KNOWLES ELECTRONICS
ITASCA, ILLINOIS U.S.A.

THE FK-26889-000 IS AN UNDAMPED MAGNETIC BALANCED ARMATURE RECEIVER INTENDED FOR USE IN CIC HEARING INSTRUMENTS. THIS MODEL HAS HIGH PERMEABILITY CUP, COVER, & SHIELD TO REDUCE MAGNETIC RADIATION, AND HAS THE CENTER TERMINAL ELECTRICALLY CONNECTED TO CASE.

NO DAMPING

FK-26889-000
SHEET 2.1

CONSTANT VOLTAGE DRIVE CONDITIONS



ACOUSTICAL

SENSITIVITY
DEVICE WILL PRODUCE THE SPL LISTED BELOW UNDER TEST CONDITIONS DESCRIBED IN TABLE 3.
NOMINAL SENSITIVITY AT 1kHz IS dB RELATIVE TO 20µPa. ALL OTHER VALUES IN dB RELATIVE TO THE SENSITIVITY AT 1kHz.

FREQUENCY (Hz)	MINIMUM	NOMINAL	MAXIMUM
200	0.0	+2.0	+4.0
500	-0.5	+1.5	+3.5
1000	-2.0	93.0	+2.0
2250 - 3250	+5.0	+8.0	+11.0
6000	80.0	---	---

TABLE 1

TOTAL HARMONIC DISTORTION
DEVICE WILL NOT EXCEED TOTAL HARMONIC DISTORTION LEVELS LISTED BELOW.

FREQUENCY (Hz)	AC DRIVE (V rms)	DC BIAS (mA)	LIMIT (%)
920	0.367	0	5
1380	0.367	0	5
920	1.04	0	10

TABLE 2

TEST CONDITIONS

NOMINAL SOURCE VOLTAGE	0.367 V rms, 0 mA DC BIAS
SOURCE IMPEDANCE	<1 Ohm
TUBING	10mm [.394"] LONG, 1mm [.039"] I.D.
COUPLER CAVITY	2 CM ³ , SIMULATED ANSI S3.7 TYPE HA-3 (IEC-60318-5)

TABLE 3

ELECTRICAL

DC RESISTANCE	580 Ohms ± 10%
IMPEDANCE @ 500 Hz	690 Ohms ± 15%
IMPEDANCE @ 1kHz	940 Ohms ± 15%

TABLE 4

ISOLATION: CASE WILL BE ELECTRICALLY ISOLATED FROM THE COIL CIRCUIT.

MECHANICAL

PORT LOCATION: 3S
SOLDER TYPE: SAC305

TEMPERATURE

OPERATURE: SENSITIVITY WILL NOT VARY MORE THAN +1/-3 dB FROM -17°C TO 63°C.
STORAGE: -40°C TO 63°C.

KNOWLES ELECTRONICS
ITASCA, ILLINOIS U.S.A.

Revision	C.O. #	Implementation Date	RELEASE LEVEL	REVISION
E	C10114032	11-8-12	Active	E
D	C10111937	12-31-10		
WHEN TEST LIMITS ARE USED TO ESTABLISH INCOMING INSPECTION ACCEPTANCE/REJECTION CRITERIA, CORRELATION OF TEST EQUIPMENT WITH KNOWLES IS ALSO REQUIRED FOR ELIMINATION OF EQUIPMENT AND TEST METHOD VARIATION			DR. BY	DATE
TITLE: RECEIVER PERFORMANCE SPECIFICATION			MMM	7-31-06
			FK-26889-000	
			GJP	8-4-06
			APP. BY	DATE
			GJP	8-4-06
			SHT 2.1	