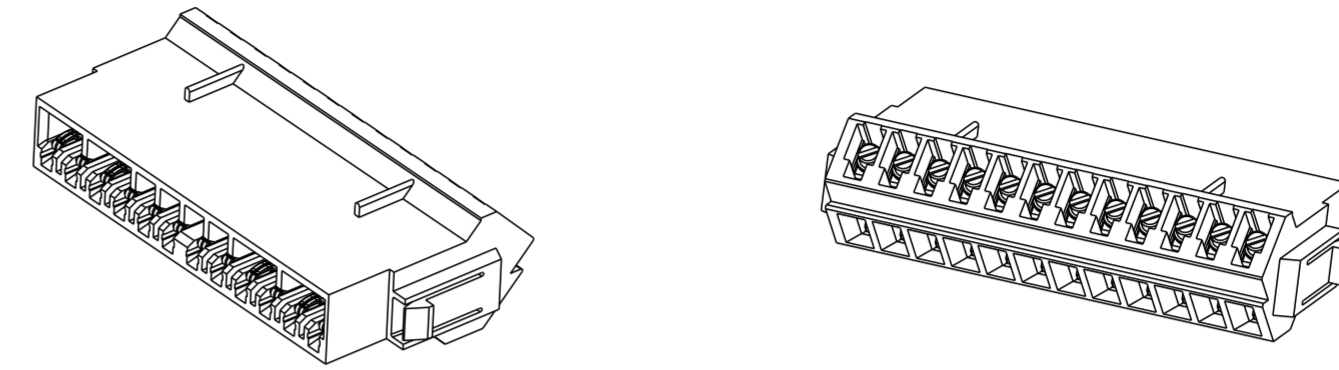
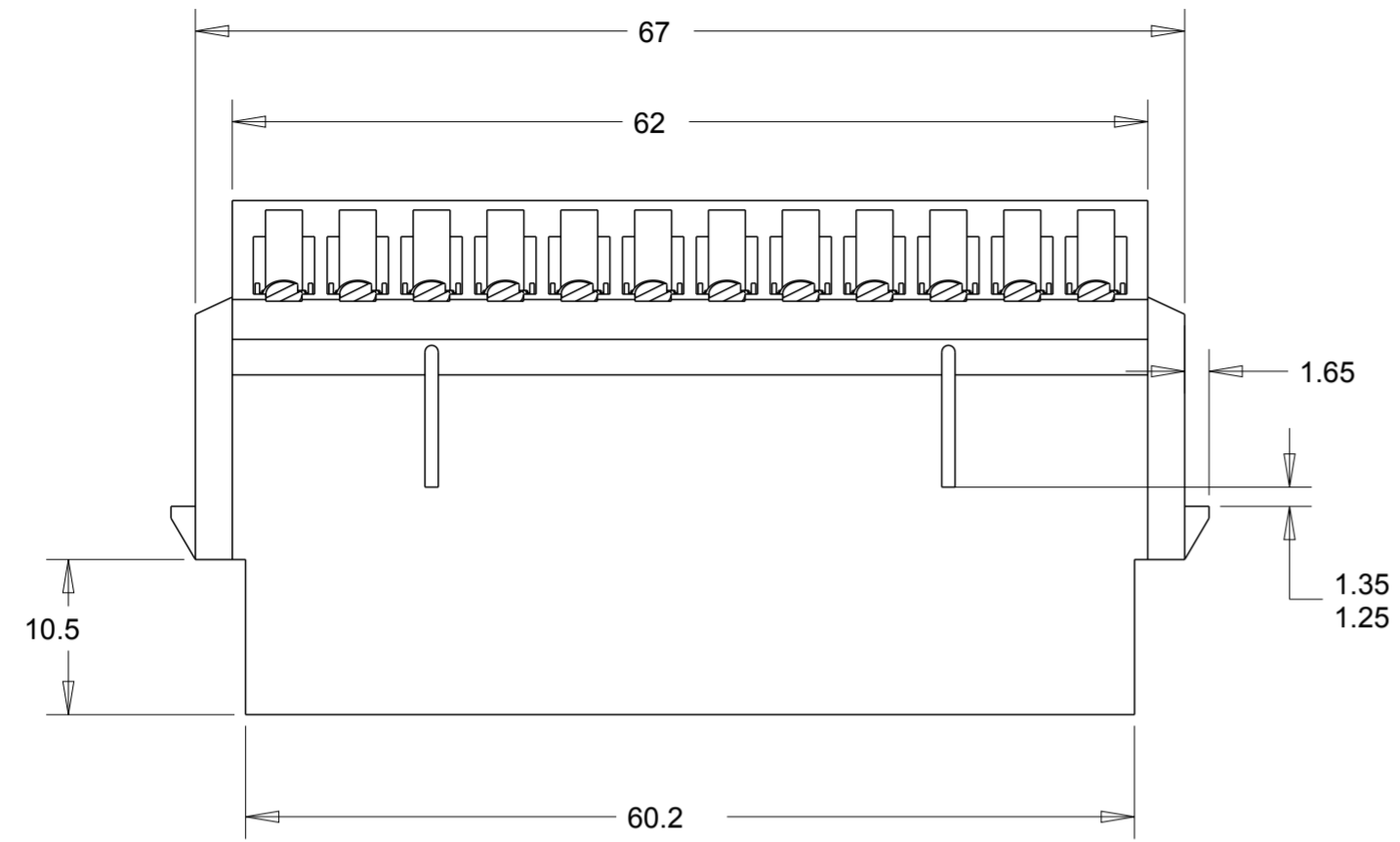


THIS DRAWING IS UNPUBLISHED. RELEASED FOR PUBLICATION 20
 © COPYRIGHT 20 BY TYCO ELECTRONICS CORPORATION. ALL RIGHTS RESERVED.

LOC		DIST		REVISIONS			
P	LTR	DESCRIPTION	DATE	DWN	APVD		
A		ECR-05-016525	24NOV2005	MJG	JA		
B		ECO-05-015895	02/12/05	MJG	JA		
C		ECR-07-015370	26/06/07	MJG	JA		
D		ECR-10-016924	13/08/10	MJG	JA		



NOTES:

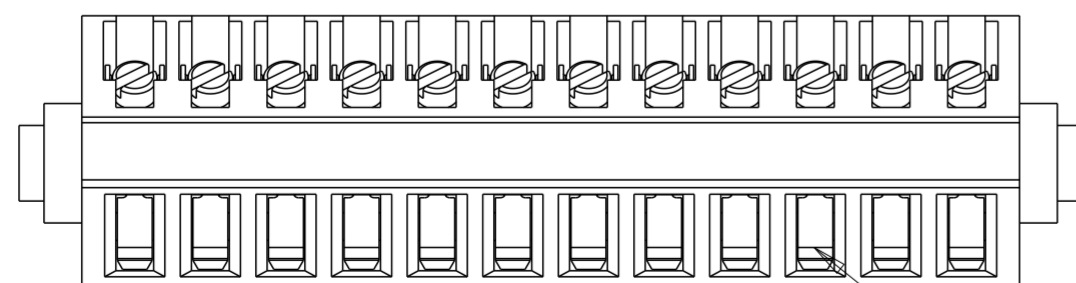
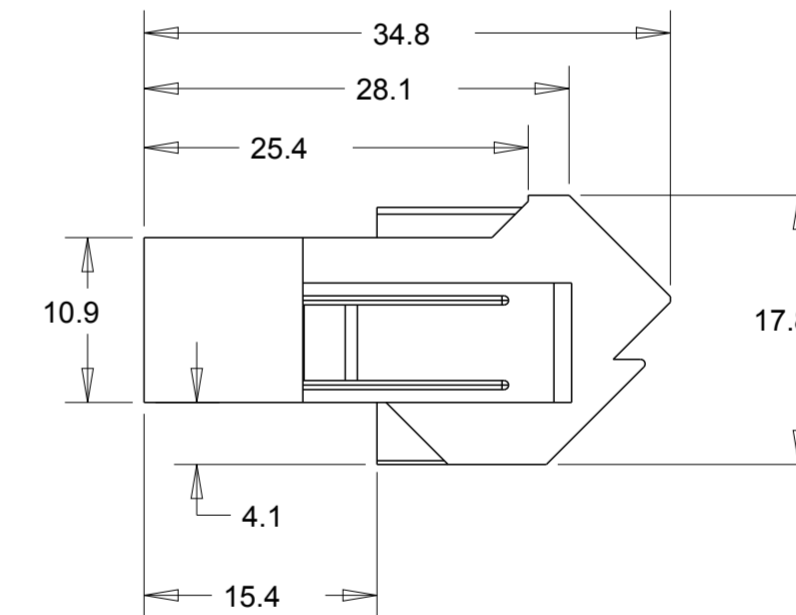
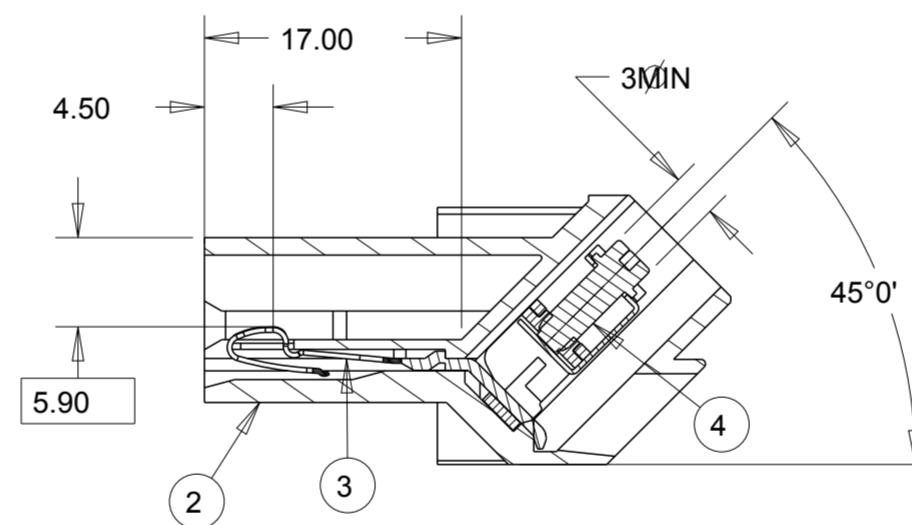
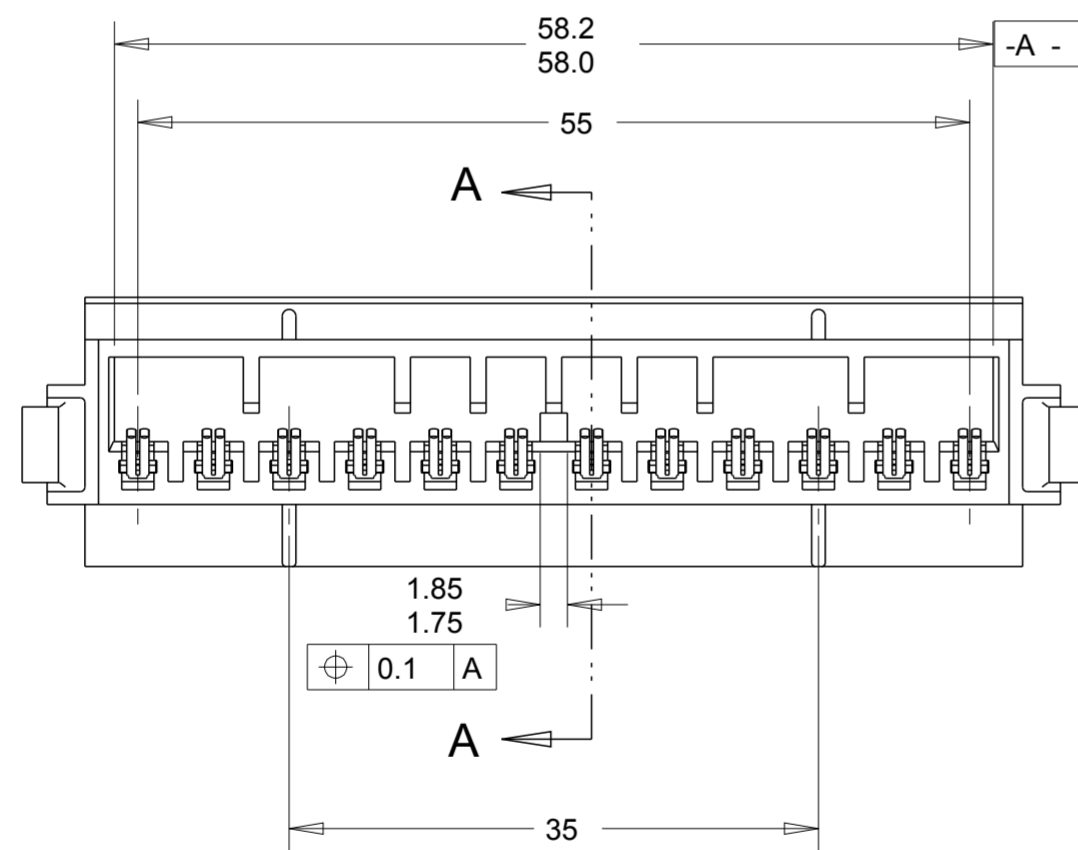
1. MATES WITH 1.6mm PCB

MATERIALS:

2. HOUSING: GF FILLED POLYCARBONATE UL94-V0. COLOUR: BLACK

3. CONTACT MATERIAL: PHOSPHUR BRONZE, PLATING: GOLD OVER NICKEL

4. SCREW CLAMP. MATERIAL: MILD STEEL. PLATING: ZINC & TRIVALENT PASSIVATED



VIEW ON WIRE ENTRY APPERTURES

TEST PROBE TARGET
2.50 X 2.00mm

SEE NOTES	SEE NOTES	12 POS I/O CONNECTOR	2-347601-1
FINISH	MATERIAL	DESCRIPTION	PART NO
<small>THIS DRAWING IS A CONTROLLED DOCUMENT FOR TYCO ELECTRONICS CORPORATION. IT IS SUBJECT TO CHANGE AND THE CONTROLLING ENGINEERING ORGANIZATION SHOULD BE CONTACTED FOR THE LATEST REVISION.</small>		Tyco Electronics Bideford, Devon. EX39 4HA	
DIMENSIONS:	TOLERANCES UNLESS OTHERWISE SPECIFIED:	NAME: 12 POS W2B I/O EDGE CONNECTOR	
mm	0 PLC ± 0.5 1 PLC ± 0.5 2 PLC ± 0.5 3 PLC ± 4 PLC ± ANGLES ± 1	DWN: M.GREENER 24NOV2005 CHK: J.AMBROSE 24NOV2005 APVD: F.WHEELER-KING 24NOV2005 PRODUCT SPEC: 108-3177 APPLICATION SPEC: 114-3149	
MATERIAL	FINISH	SIZE: A200779	CAGE CODE: C-347601
SEE NOTES	SEE NOTES	SCALE: 2:1	SHEET 1 OF 1 REV D
CUSTOMER DRAWING		RESTRICTED TO	