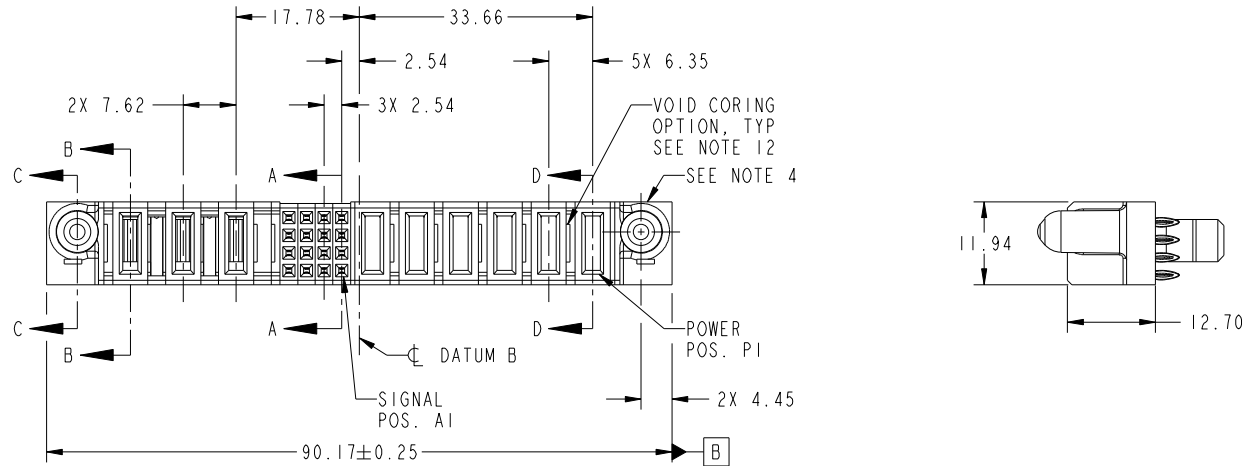


Tous droits strictement reserves. Reproduction ou communication a des tiers interdite sous quelque forme que ce soit sans autorisation écrite du propriétaire. Propriete de c FCI. Droits de reproduction FCI.



All rights strictly reserved. Reproduction or issue to third parties in any form whatever is not permitted without written authority from the proprietor. Property of FCI. Copyright FCI.

PRODUCT NO.	ROWS	POWER			SIGNAL			POWER					E1		
		E2	P9	P8	P7	4	3	2	1	P6	P5	P4		P3	P2
51927-009-- NOTE: 3	D C B A		PH	PH	PG	F	F	F	F	PF	PF	PF	PF	PF	



CODE	DIM "M" MATING LENGTH	CONTACT TYPE
PF	[2.34]	POWER
F	[N/A]	SIGNAL
PH	[2.34]	POWER
PG	[1.07]	POWER

mat'l code				SEE NOTES		tolerances unless otherwise specified		CUSTOMER		 www.fciconnect.com	
ltr	ecn no.	dr	date	linear	0.X ±0.5	projection		COPY		title	
A	DG10-0013	WD	01/12/10	angles	0.XX ±0.25			MIM		6P + 16S + 3CP VERTICAL PRESS-FIT RECEPT	
B	DG10-0131	WD	04/07/10	dr	0.XXX ±0.1			product family		PwrBlade	code
				enr	0° ±2°	scale		size		A	213
				chr	Warren Du 12/21/09	1:1		dwg no		51927-009	
				appd	Warren Du 12/21/09			sheet		1 of 4	
					PM ZHENG 12/21/09			cage code		22526	
					Joseph Hsia 12/21/09						
sheet index	revision sheet	B	B	B	B						
		1	2	3	4						

Pro/E

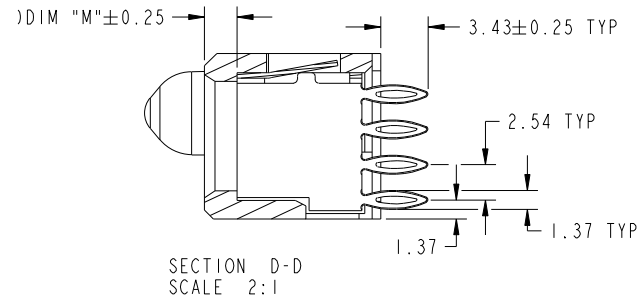
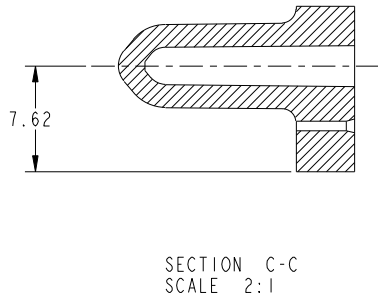
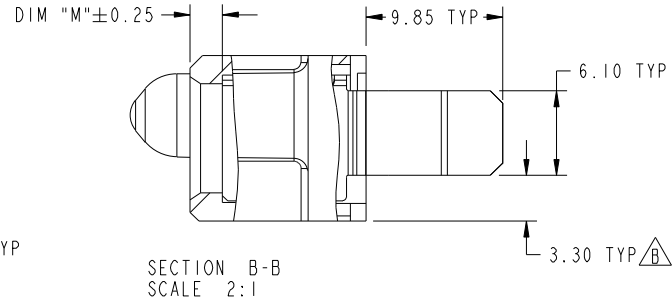
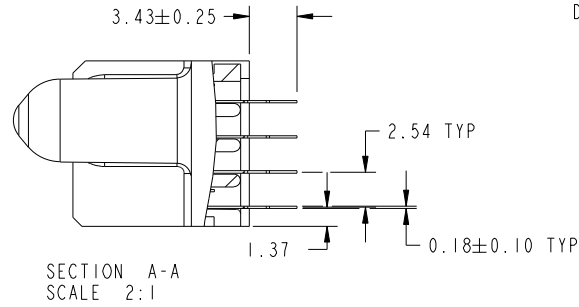
cage code 22526

Tous droits strictement reserves. Reproduction ou communication a des tiers interdite sous quelque forme que ce soit sans autorisation écrite du propriétaire. Propriete de c FCI. Droits de reproduction FCI.

All rights strictly reserved. Reproduction or issue to third parties in any form whatever is not permitted without written authority from the proprietor. Property of FCI. Copyright FCI.



PRODUCT NUMBER
51927-009__
NOTE: 3



mat'l code				tolerances unless otherwise specified		CUSTOMER		FCI	
ltr	ecn no.	dr	date	linear	0.X ±0.5	COPY		www.fciconnect.com	
B					0.XX ±0.25	projection		title	
				angles	0.XXX ±0.1			6P + 16S + 3CP VERTICAL PRESS-FIT RECEIPT	
				dr	0° ±2°			product family PwrBlade code	
				engr	Warren Du 12/21/09	scale		size	
				chr	Warren Du 12/21/09	1:1		dwg no	
				appd	PM ZHENG 12/21/09	A		51927-009	
					Joseph Hsia 12/21/09			sheet	
sheet index	revision sheet							2 of 4	

cage code 22526

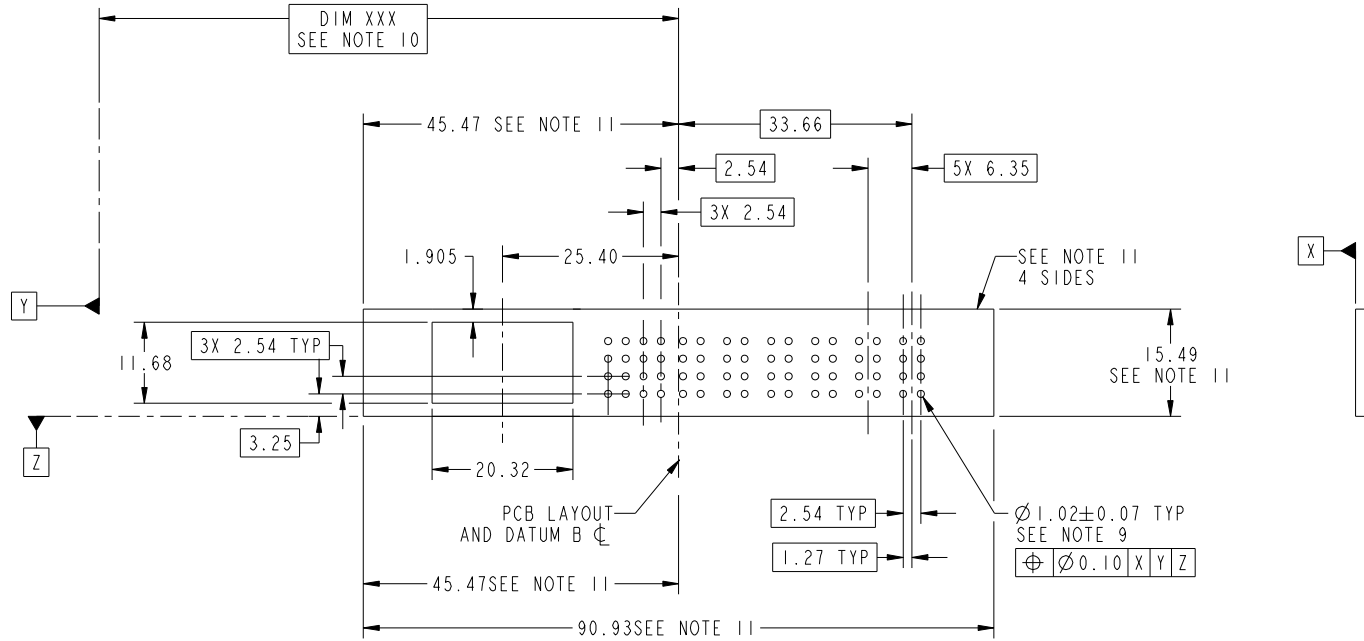
Pro/E

Tous droits strictement reserves. Reproduction ou communication a des tiers interdite sous quelque forme que ce soit sans autorisation écrite du propriétaire. Propriete de c FCI. Droits de reproduction FCI.

All rights strictly reserved. Reproduction or issue to third parties in any form whatever is not permitted without written authority from the proprietor. Property of FCI. Copyright FCI.



PRODUCT NUMBER
51927-009__
NOTE: 3



RECOMMENDED PCB LAYOUT

mat'l code				tolerances unless otherwise specified		CUSTOMER		FCI	
ltr	ecn no.	dr	date	linear	0.X ±0.5	COPY		www.fciconnect.com	
B					0.XX ±0.25	projection		title	
				angles	0.XXX ±0.1			6P + 16S + 3CP VERTICAL PRESS-FIT RECEPT	
				dr	0° ±2°	MIM		product family PwrBlade code	
				enr	Warren Du 12/21/09			size	
				chr	Warren Du 12/21/09	scale		dwg no	
				appd	PM ZHENG 12/21/09	1:1		A 51927-009	
					Joseph Hsia 12/21/09			sheet	
sheet index	revision sheet							3 of 4	

cage code 22526

Pro/E

Tous droits strictement reserves. Reproduction ou communication a des tiers interdite sous quelque forme que ce soit sans autorisation écrite du propriétaire. Propriete de c FCI. Droits de reproduction FCI.



All rights strictly reserved. Reproduction or issue to third parties in any form whatever is not permitted without written authority from the proprietor. Property of FCI. Copyright FCI.

PRODUCT NUMBER
51927-009_
NOTE: 3

NOTES:

1. DIMENSIONS AND TOLERANCES ARE IN ACCORDANCE WITH ASME Y14.5M, 1994 UNLESS OTHERWISE SPECIFIED.

CONNECTOR NOTES:

- 2 HOUSING MATERIAL: UL 94 V-0 GLASS FILLED HIGH-TEMP THERMOPLASTIC
POWER CONTACT MATERIAL: COPPER ALLOY
SIGNAL PIN MATERIAL: COPPER ALLOY
- 3. SEE ITEM 7 & 8 IN PRINT 10064183 FOR PLATING SPEC OF 51927-009 AND 51927-009LF RESPECTIVELY.
- 4 MANUFACTURER'S NAME, P/N, AND DATE CODE TO APPEAR ON THIS SURFACE.
- 5. PRODUCT SPECIFICATION GS-12-149.
APPLICATION SPECIFICATION BUS-20-067.
- 6. PACKAGED IN TRAYS.

PCB NOTES:

- 7. ALL HOLE DIAMETERS ARE FINISHED HOLE SIZE.
- 8 MOUNTING HOLES, WHERE APPLICABLE, ARE UNPLATED.

- 9 $\varnothing 1.151 \pm 0.025$ DRILLED HOLES PLATED WITH
0.008 MIN SnPb OR Sn OVER 0.03
TO 0.08 Cu PLATING TO ACHIEVE
 $\varnothing 1.02 \pm 0.07$ HOLE.
- 10 "DIM XXX" TO BE DETERMINED BY THE CUSTOMER.
- 11 CONNECTOR KEEP-OUT ZONE.
- 12. THE VOID CORING IN BETWEEN POWER MODULES, SIGNAL MODULES AND END MODULES ARE OPTIONAL AND THE SHAPE MAY BE DIFFERENT FOR OPTIMIZE THE MOLDING PROCESS. THE VOID CORING WILL NOT EFFECT TO PRODUCT FUNCTION.
- 13. A Δ SYMBOL WILL BE NEXT TO ANY DIMENSION, VIEW, OR NOTE WHICH HAS BEEN MODIFIED WITH THE CURRENT DRAWING REVISION.

mat'l code				tolerances unless otherwise specified		CUSTOMER		FCI		www.fciconnect.com	
ltr	ecn no.	dr	date	linear	0.X ± 0.5		COPY		projection	title	
B					0.XX ± 0.25		6P + 16S + 3CP			VERTICAL PRESS-FIT RECEPT	
					0.XXX ± 0.1						
				angles	0° ± 2°				product family		code
				dr	Warren Du	12/21/09	MIM		PwrBlade		213
				enrg	Warren Du	12/21/09			size		sheet
				chr	PM ZHENG	12/21/09	1:1		A		4 of 4
				appd	Joseph Hsia	12/21/09			51927-009		
sheet index	revision sheet										

cage code 22526

Pro/E