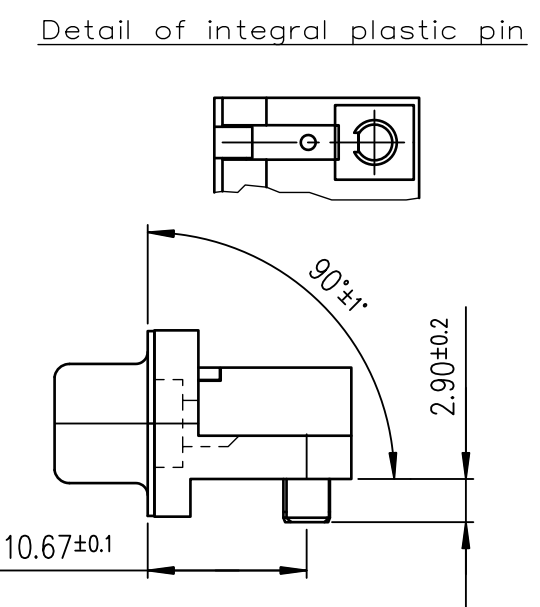
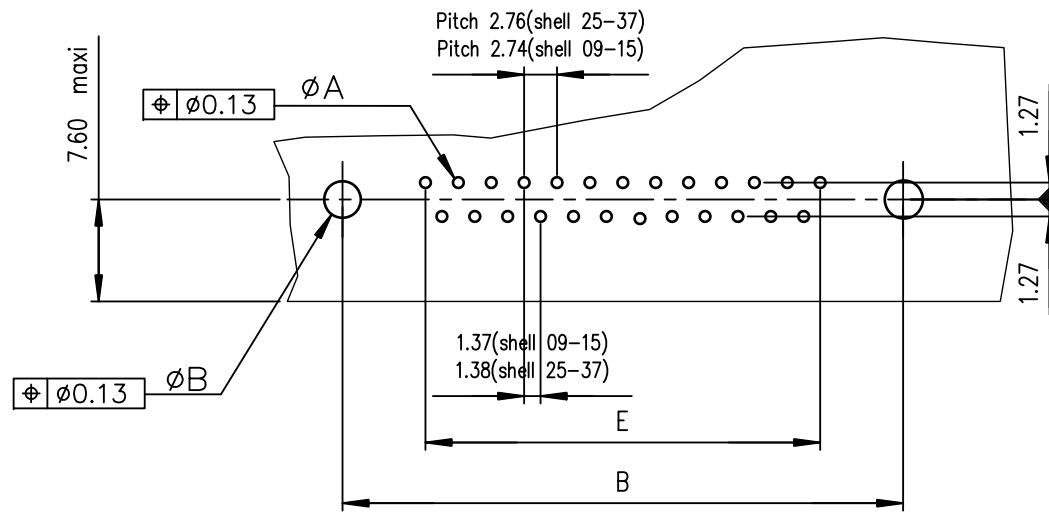


PC card drilling dimensions(after plating)
(thickness 1.60 or 2.40±0.20mm)



TIN LEAD PART NUMBER

SHELL	A±0.38	B±0.12	C±0.10	D±0.25	E±0.07	PART NUMBER	PART NUMBER
09	30.81	24.99	18.00	16.21	10.96	D09S82C4PA00	D09S82C6PA00
15	39.14	33.32	26.32	24.54	19.18	D15S82C4PA00	D15S82C6PA00
25	53.03	47.04	40.04	38.25	33.12	D25S82C4PA00	D25S82C6PA00
37	69.32	63.50	56.50	54.71	49.68	D37S82C4PA00	D37S82C6PA00
						Gold flash	0.76 μ gold

LEAD FREE PART NUMBER

SHELL	A±0.38	B±0.12	C±0.10	D±0.25	E±0.07	PART NUMBER	PART NUMBER
09	30.81	24.99	18.00	16.21	10.96	D09S82C4PA00LF	D09S82C6PA00LF
15	39.14	33.32	26.32	24.54	19.18	D15S82C4PA00LF	D15S82C6PA00LF
25	53.03	47.04	40.04	38.25	33.12	D25S82C4PA00LF	D25S82C6PA00LF
37	69.32	63.50	56.50	54.71	49.68	D37S82C4PA00LF	D37S82C6PA00LF
						Gold flash	0.76 μ gold

GENERAL CHARACTERISTICS AND ROHS INFORMATIONS:

SEE DRAWING C01-8646-0001

mat'l. code		surface		tolerance		projection		product family	
-		ISO 1302 ✓		ISO 406 ISO 1101				D-SUB	
ltr		ecn no		dr		date		title	
M		ELX-I-18050		MP		2014/06/23		FEMALE CONNECTOR DELTA-D EUROSTYLE RIGHT ANGLED PRESS FIT	
								dwg no	
								sheet 1 of 1	
								size	
								A3	
								type	
								Product Customer Drawing	
sheet index		revision		M					
1		sheet		1					



Copyright FCI