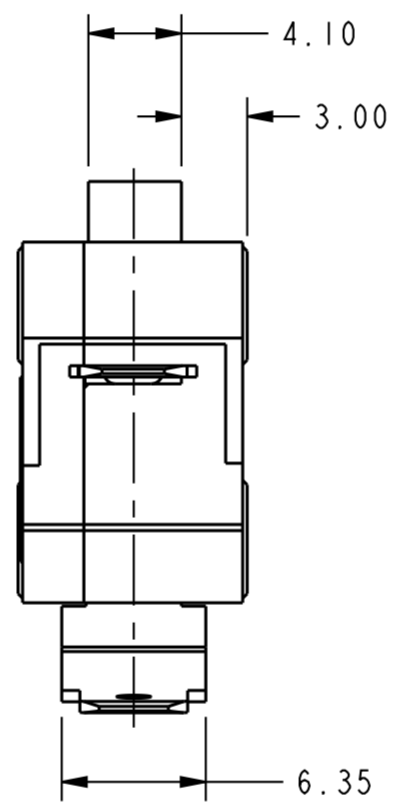
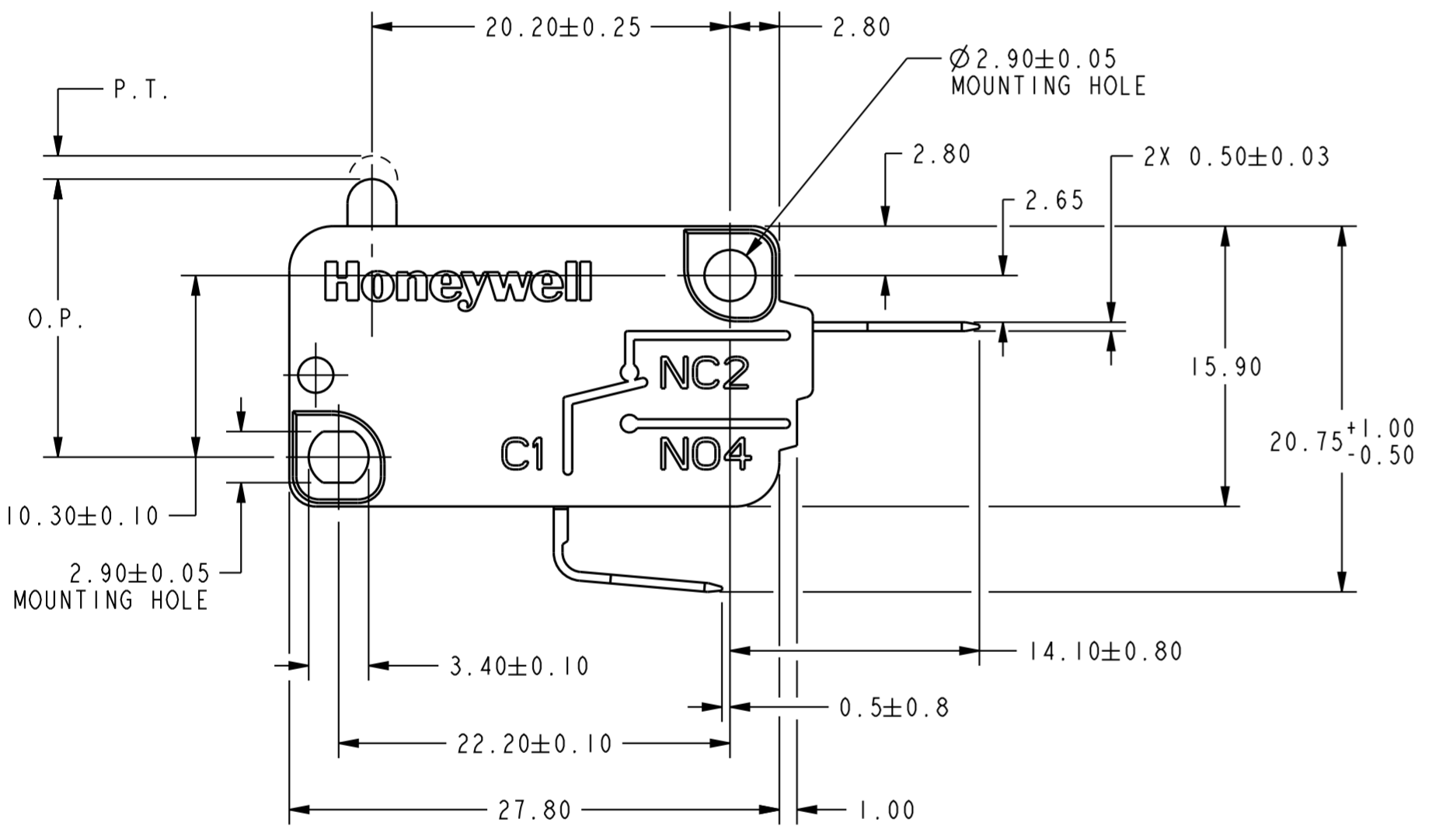
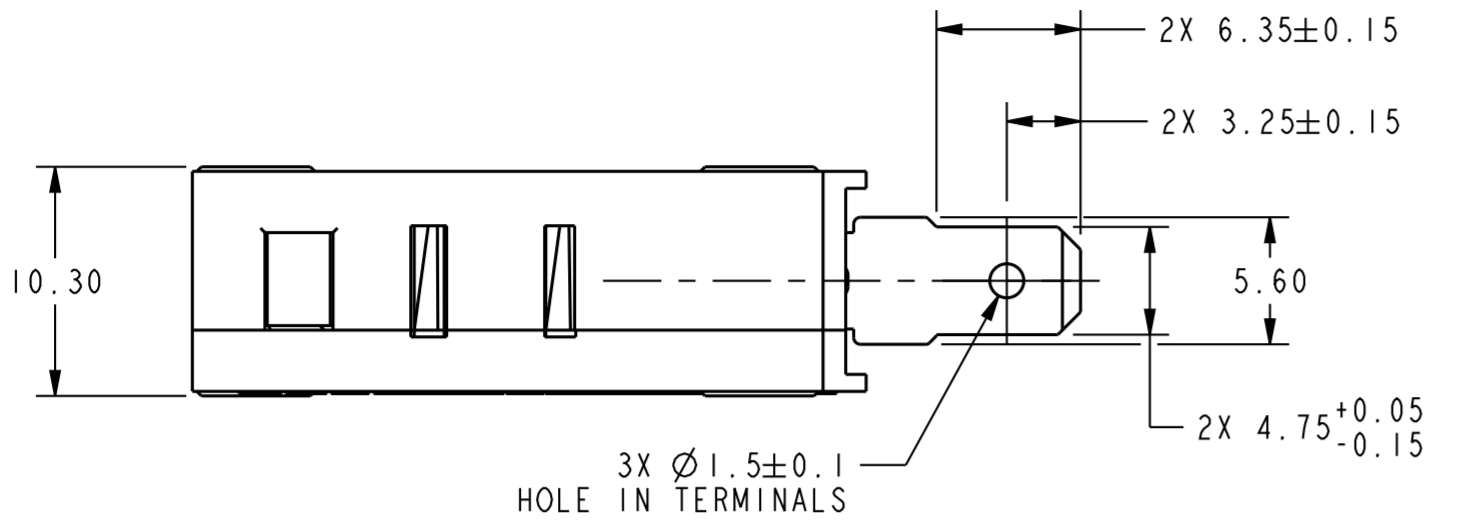


PART NUMBER
VI5S05-EC015-K801

REVISION HISTORY					
REV	DOCUMENT	DESCRIPTION	CHGD BY	DATE	APPROVED
B	0105306	REDRAWN WITH CHANGE	DJS	2013-12-31	W. RUFUS



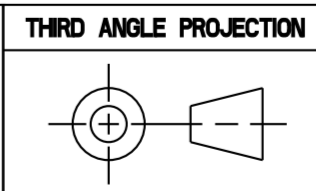
SPECIFICATION	
OPERATING TEMPERATURE	-25°C~85°C
OPERATING HUMIDITY	MAX 96% R.H. @40°C
STORAGE CONDITIONS	-10°C~40°C, MAX 85% R.H.
VIBRATION RESISTANCE (PER IEC 60068-2-6)	10~55Hz, DISPLACEMENT 1.5mm (PEAK-PEAK) NO CONTACT SEPARATION > 1 MILLISECOND
SHOCK RESISTANCE (PER IEC 60068-2-27)	DESTRUCTION: 500 m/s ² (50g) MAX. SWITCH IS FUNCTIONAL AFTER TEST MALFUNCTION: 100 m/s ² (10g) MAX. NO CONTACT SEPARATION > 1 MILLISECOND
SOLDERING BY HAND	≤5Sec @ 350°C MAX.
SOLDERING BATH	≤5Sec @ 260°C MAX.
CONTACT RESISTANCE (INITIAL)	100 mΩ MAX AS MEASURED USING 4-WIRE VOLTAGE DROP METHOD @ 6VDC & 100mA
DIELECTRIC STRENGTH	BETWEEN OPEN CONTACTS 1000 VAC FOR 1 MINUTE, LEAKAGE CURRENT ≤ 10mA
	1500 VAC FOR 1 MINUTE, LEAKAGE CURRENT ≤ 10mA BETWEEN LIVE-PARTS AND GROUND BETWEEN LIVE-PARTS AND DEAD METAL PARTS
INSULATION RESISTANCE	MIN 100 MΩ (500VDC-1 MINUTE)
ELECTRICAL ENDURANCE	UL/cUL: MIN 10,000 CYCLES @ 30 CYCLES/MINUTE MAX.
	ENEC/CQC: MIN 50,000 CYCLES @ 30 CYCLES/MINUTE MAX.
MECHANICAL ENDURANCE	MIN 1,000,000 CYCLES @ 60 CYCLES/MINUTE MAX.
CONTACT MATERIAL	SILVER
TERMINAL FINISH	TREATED FOR CORROSION PROTECTION

NOTES:
 1 - MOUNTING HOLES WILL ACCEPT Ø2.85 MAX. PINS OR SCREWS.
 2 - TERMINALS WILL ACCEPT 4.8mm WIDE QUICK CONNECT RECEPTACLES AND COMPLY WITH EN61058-1 REQUIREMENTS
 3 - NON STANDARD DIFFERENTIAL TRAVEL

CHARACTERISTICS
OPERATING FORCE----- 15gf MAX.
DIFFERENTIAL FORCE-----
RELEASE FORCE----- 3gf MIN.
FREE POSITION-----
OPERATING POSITION----- 14.7±0.5MM
PRE-TRAVEL----- 1.6MM MAX.
DIFFERENTIAL TRAVEL----- 0.21MM MAX.
OVERTRAVEL----- 0.8MM MIN.
FULL OVERTRAVEL FORCE-----

ELECTRICAL DATA
CONTACT ARRANGEMENT S P N C
5(2.5)A 125/250VAC 0.1A 125/250VAC 0.1A 48VDC 25T85 μ 5E4
5GPA 1/10hp 125/250Vac 0.1GPA 125/250Vac 0.1RA 48Vdc

UNLESS OTHERWISE SPECIFIED
 DIMENSIONS ARE IN MM
 DECIMAL TOL NO PLACE ---
 1 PLACE ---
 2 PLACE --- ±0.40
 3 PLACE ---
 ANGULAR TOL - ±2° CHAMFER -



Honeywell

TITLE
SWITCH - BASIC

SIZE A2	CAGE CODE -	DWG NO VI5S05-EC015-K801	TYPE I	REV B
SCALE 3:1	REF WT.	SHEET 1 of 1		
RELEASE DATE 2011-07-07	HONEYWELL CONFIDENTIAL THIS DOCUMENT CONTAINS PROPRIETARY INFORMATION AND SUCH INFORMATION MAY NOT BE DISCLOSED TO OTHERS FOR ANY PURPOSE, NOR USED FOR MANUFACTURING PURPOSES WITHOUT WRITTEN PERMISSION FROM HONEYWELL			
DRW: VKR	2011-07-07			
RDE: -	-			
QA: -	-			
CHK: CS	2011-07-07			

APPLICABLE DOCUMENTS: ASME Y14.100-2004
 ASME Y14.5-2009

COMPUTER GENERATED DRAWING: PRO/ENGINEER