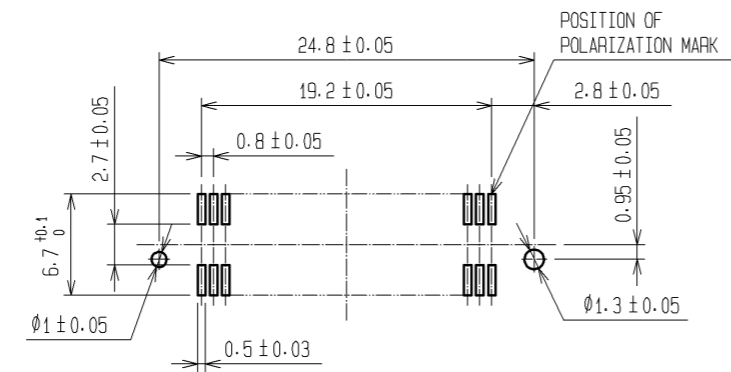


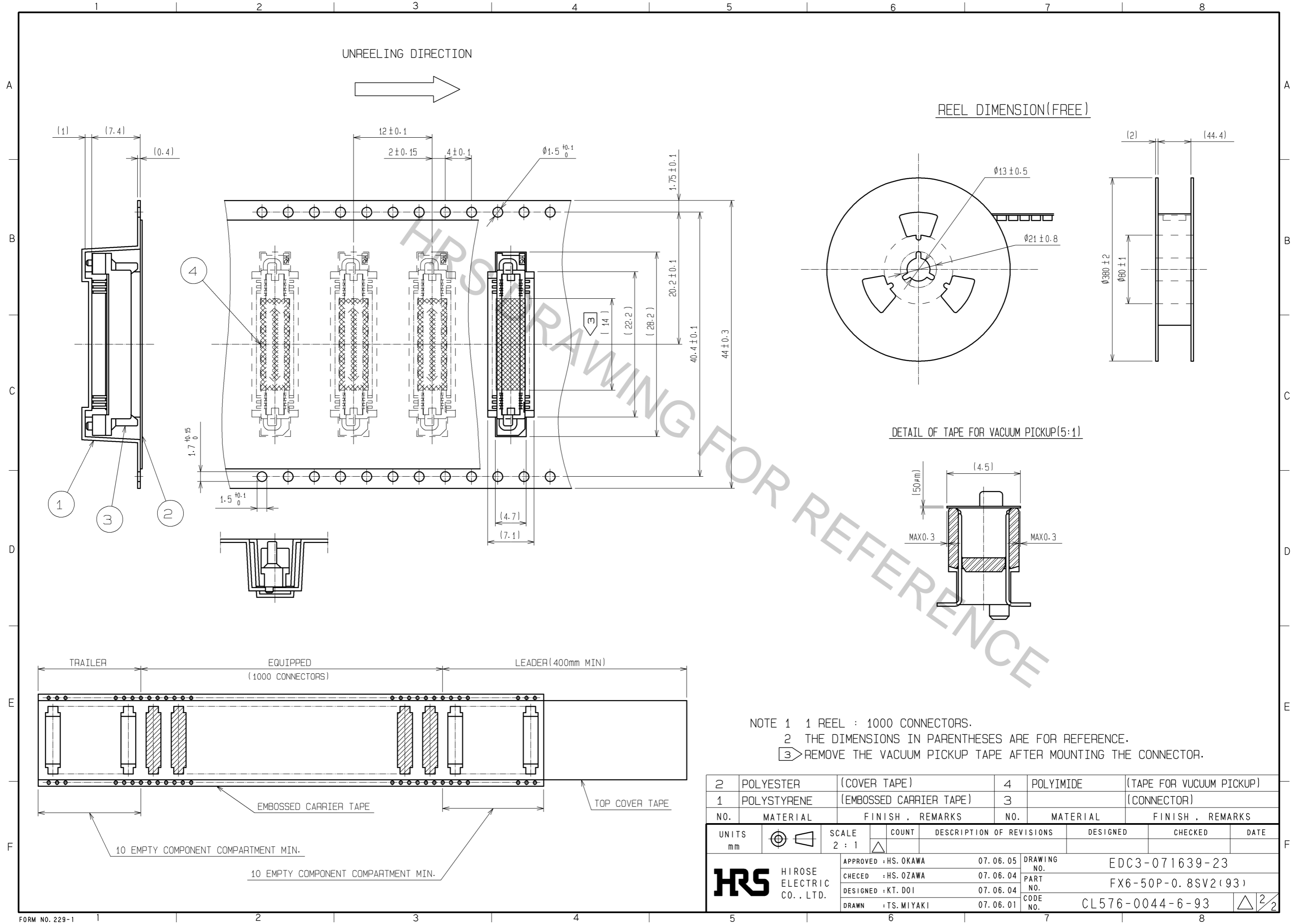
RECOMMENDED LAND PATTERN DIMENSION OF PCB (MOUNTING SIDE)



- NOTE
- 1 HRS MARK SHALL BE OPTIONAL.
 - 2 LEAD CO-PLANARITY SHALL BE 0.1mm MAX.
 - 3 EMBOSSED CARRIER TAPE PACKAGING SHALL BE APPLIED TO THIS PRODUCT. SEE NEXT PAGE FOR DETAILS.
 - 4 THIS PRODUCT HAS TAPE FOR VACUUM PICKUP. SEE NEXT PAGE FOR DETAIL OF STICKING POSITION, ETC.
 - 5 FOR MODIFICATION, ETC. PREVENTIVE HOLE FOR SINK MARK MAY BE ADDED ACCORDING TO CIRCUMSTANCES.
 - 6 THE DIMENSIONS IN PARENTHESES ARE FOR REFERENCE.

1	PPS	LIGHT BROWN (UL94V-0)	2	PHOSPHOR BRONZE	CONTACT AREA: GOLD 0.1μm min. LEAD AREA: TIN-PLATING 1μm min. UNDER PLATING: NICKEL 1μm min.		
NO.	MATERIAL	FINISH, REMARKS	NO.	MATERIAL	FINISH, REMARKS		
UNITS mm		SCALE 2:1	COUNT △	DESCRIPTION OF REVISIONS	DESIGNED	CHECKED	DATE
HRS HIROSE ELECTRIC CO., LTD.		APPROVED: HS. OKAWA	07.06.05	DRAWING NO.	EDC3-071639-23		
		CHECKED: HS. OZAWA	07.06.04	PART NO.	FX6-50P-0.8SV2(93)		
		DESIGNED: KT. DOI	07.06.04	CODE NO.	CL576-0044-6-93		
		DRAWN: TS. MIYAKI	07.06.01		△ 1/2		

Apr.1.2017 Copyright 2017 HIROSE ELECTRIC CO., LTD. All Rights Reserved.



NOTE 1 1 REEL : 1000 CONNECTORS.
 2 THE DIMENSIONS IN PARENTHESES ARE FOR REFERENCE.
 3 REMOVE THE VACUUM PICKUP TAPE AFTER MOUNTING THE CONNECTOR.

2	POLYESTER	(COVER TAPE)	4	POLYIMIDE	(TAPE FOR VUCUUM PICKUP)
1	POLYSTYRENE	(EMBOSSSED CARRIER TAPE)	3		(CONNECTOR)
NO.	MATERIAL	FINISH . REMARKS	NO.	MATERIAL	FINISH . REMARKS
UNITS	mm	SCALE	2 : 1	COUNT	△
APPROVED : HS. OKAWA		07.06.05		DRAWING NO. EDC3-071639-23	
CHECED : HS. OZAWA		07.06.04		PART NO. FX6-50P-0.8SV2(93)	
DESIGNED : KT. DOI		07.06.04		CODE NO. CL576-0044-6-93	
DRAWN : TS. MIYAKI		07.06.01		△ 2/2	