

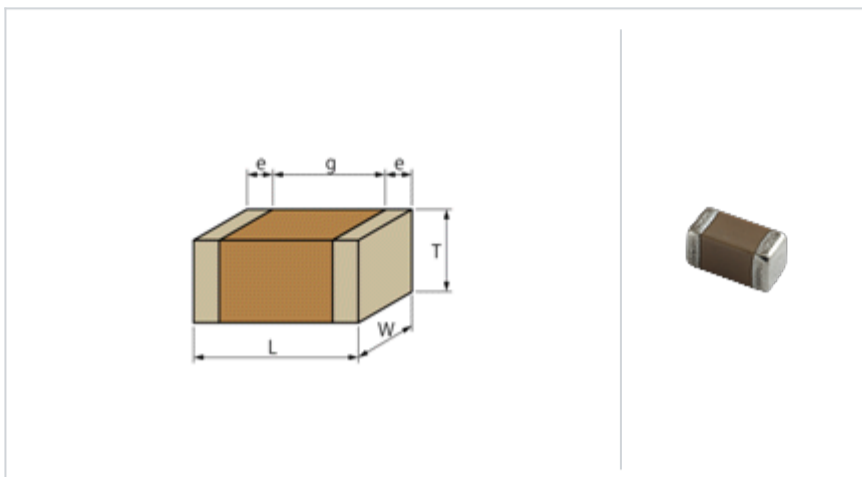
# GRM32A7U2J152JW31#

" # " indicates a package specification code.



< List of part numbers with package codes >  
GRM32A7U2J152JW31D

## Shape



L size	3.2 ± 0.2mm
W size	2.5 ± 0.2mm
T size	1.0 +0/-0.3mm
External terminal width e	0.3mm min.
Distance between external terminals g	1.5mm
Size code in inch(mm)	1210 (3225)

## References

Packaging	Specifications	Minimum quantity
D	180mm Paper taping	4000

## Specifications

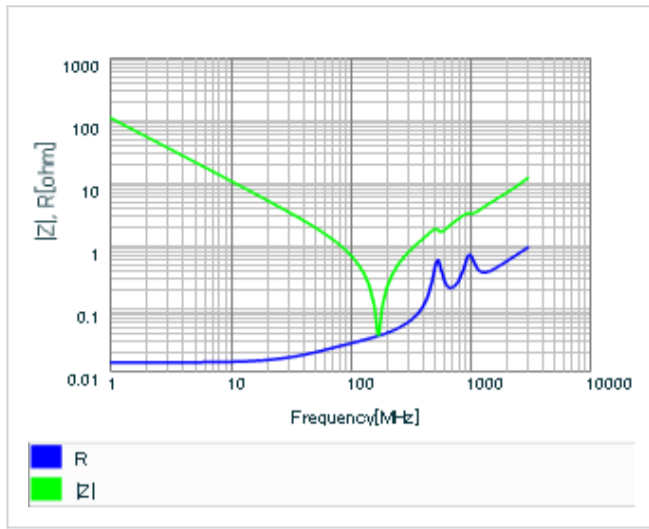
Capacitance	1500pF ± 5%
Rated voltage	630Vdc
Temperature characteristics (complied standard)	U2J(EIA)
Temperature coefficient	-750 ± 120ppm/
Temperature range of temperature characteristics	25 to 125
Operating temperature range	-55 to 125

### ⚠ Attention

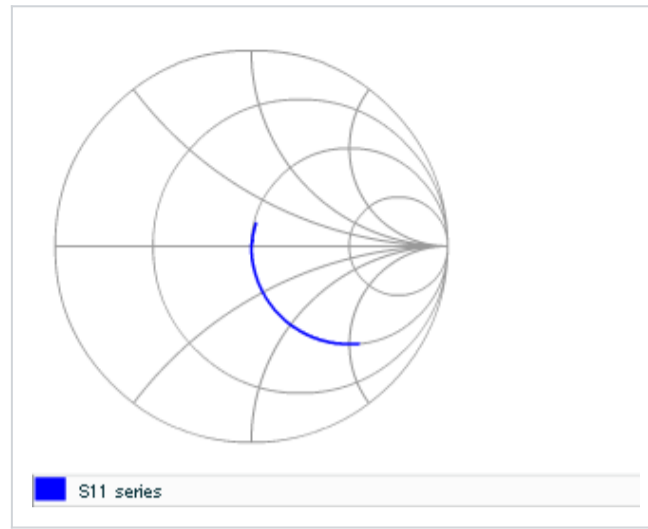
- 1.This datasheet is downloaded from the website of Murata Manufacturing Co., Ltd. Therefore, it ' s specifications are subject to change or our products in it may be discontinued without advance notice. Please check with our sales representatives or product engineers before ordering.
- 2.This datasheet has only typical specifications because there is no space for detailed specifications. Therefore, please review our product specifications or consult the approval sheet for product specifications before ordering.

Chart of characteristic data (The charts below may show another part number which shares its characteristics.)

▪ Frequency characteristics (ESR, Impedance)



▪ S parameter (Smith chart S11)



2 of 2

This PDF data has only typical specifications because there is no space for detailed specifications.

Therefore, please review our product specifications or consult the approval sheet for product specifications before ordering.

**muRata** Murata Manufacturing Co., Ltd.

Last updated: 2014/01/11