

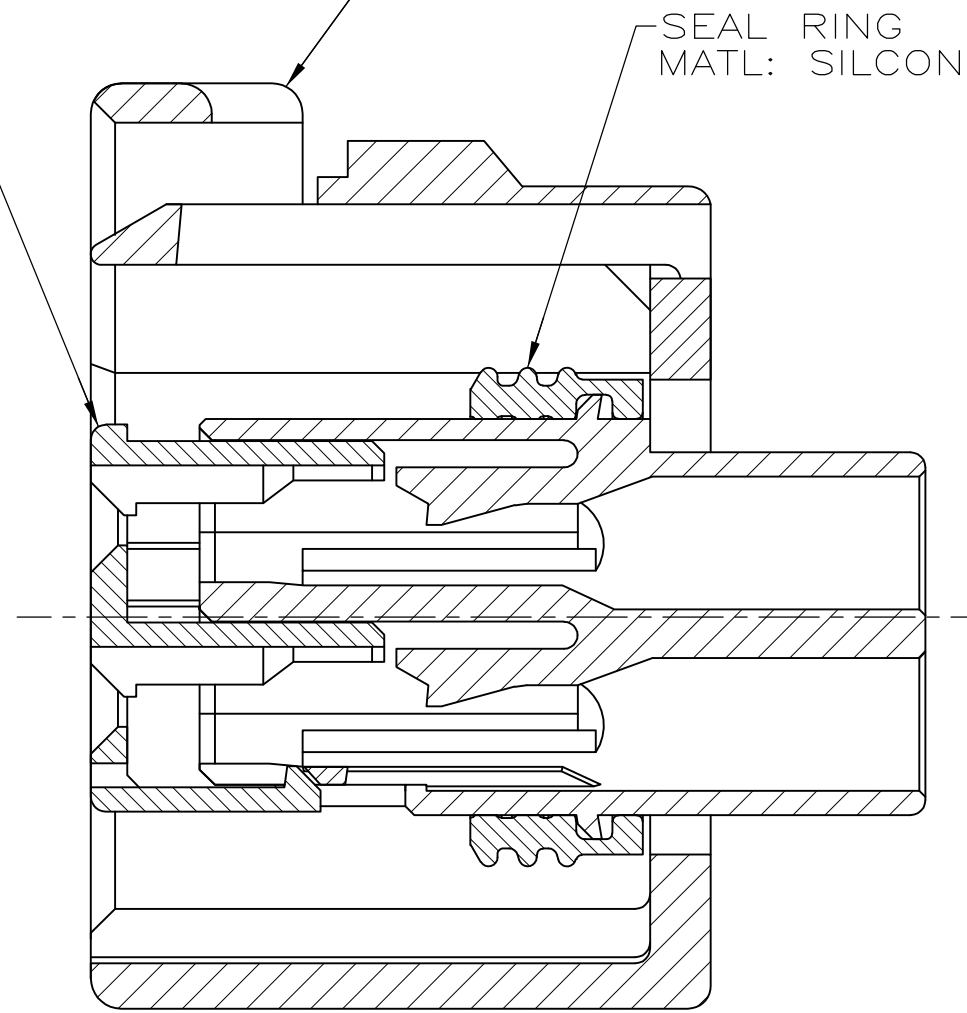
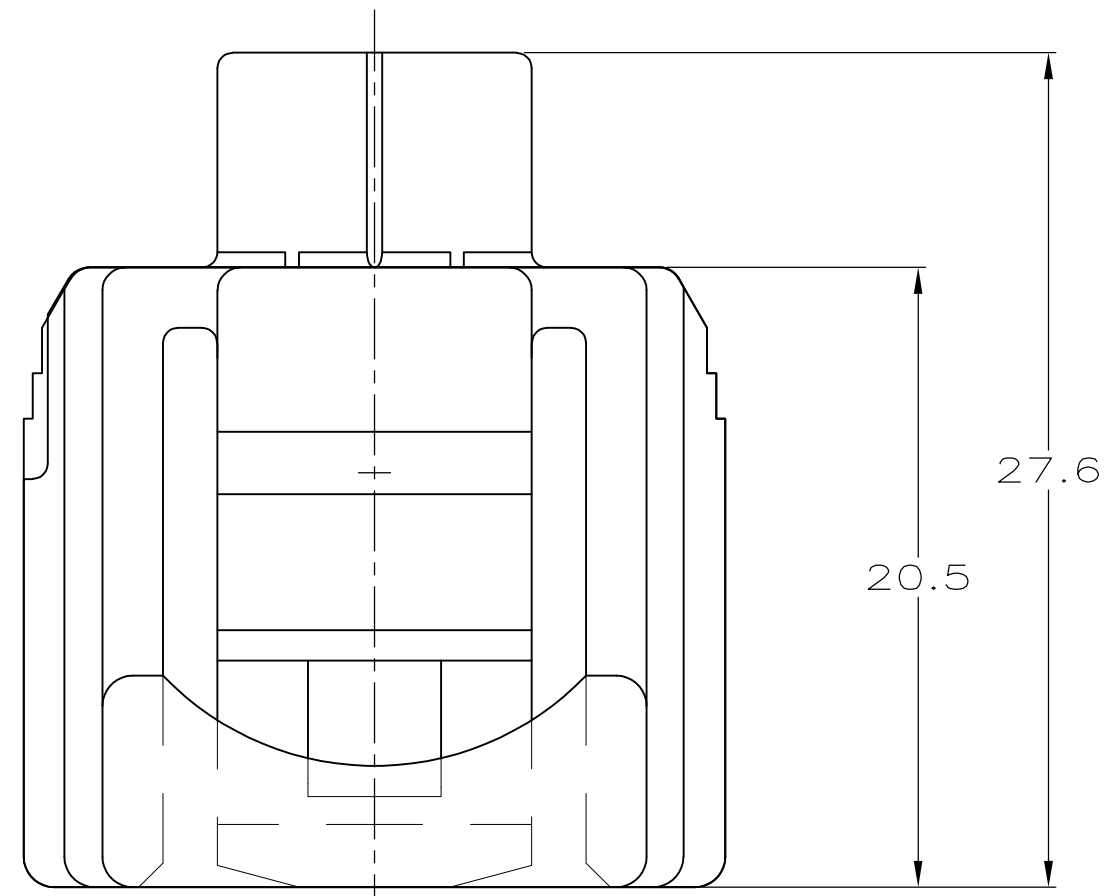
THIS DRAWING IS UNPUBLISHED. RELEASED FOR PUBLICATION
 © COPYRIGHT BY TYCO ELECTRONICS CORPORATION. ALL RIGHTS RESERVED.

LOC	DIST	REVISIONS			
P	LTR	DESCRIPTION	DATE	DWN	APVD
GE	00				
C		REVISED PER ECO-09-008507	09APR2009	DD	MB

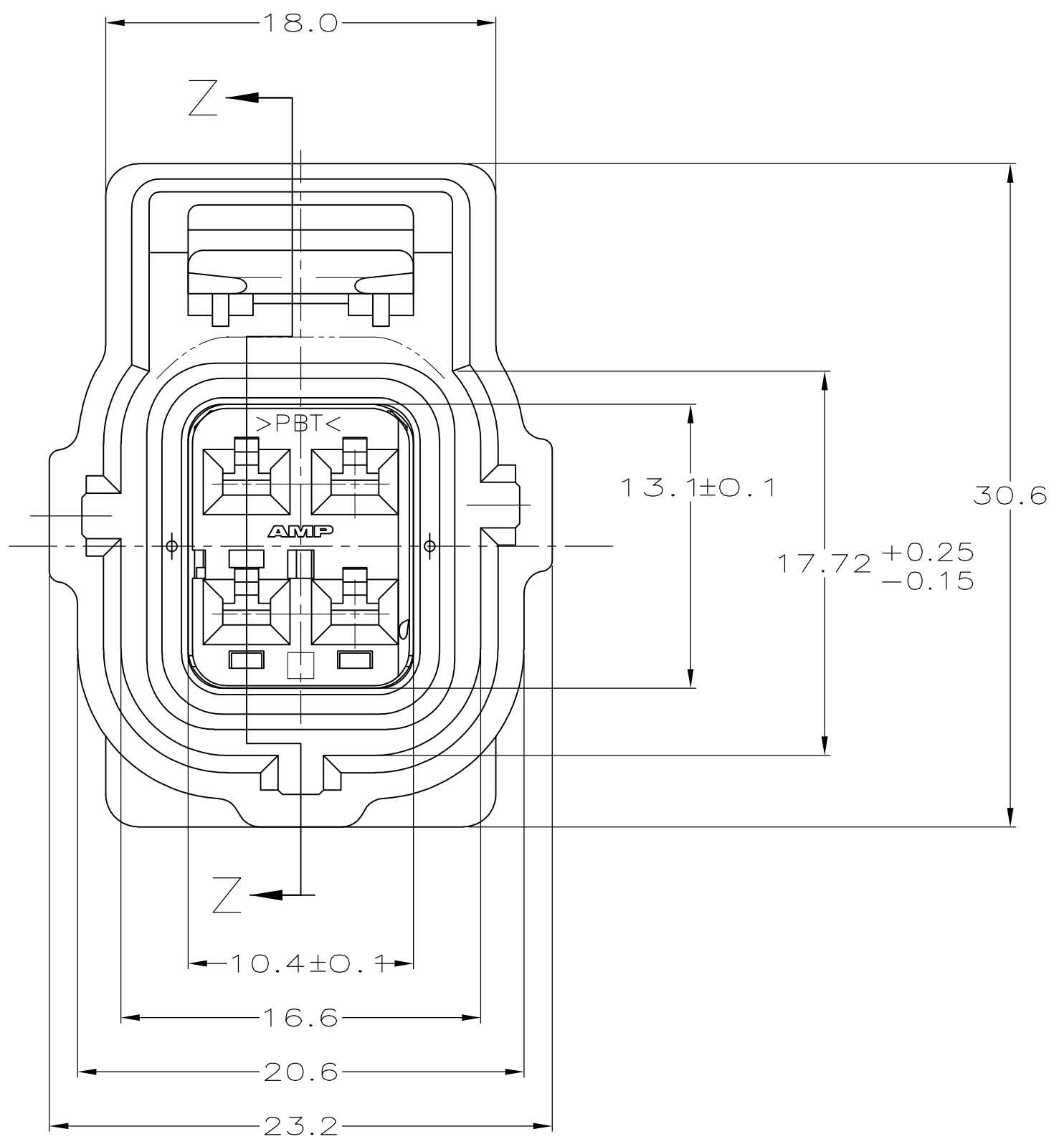
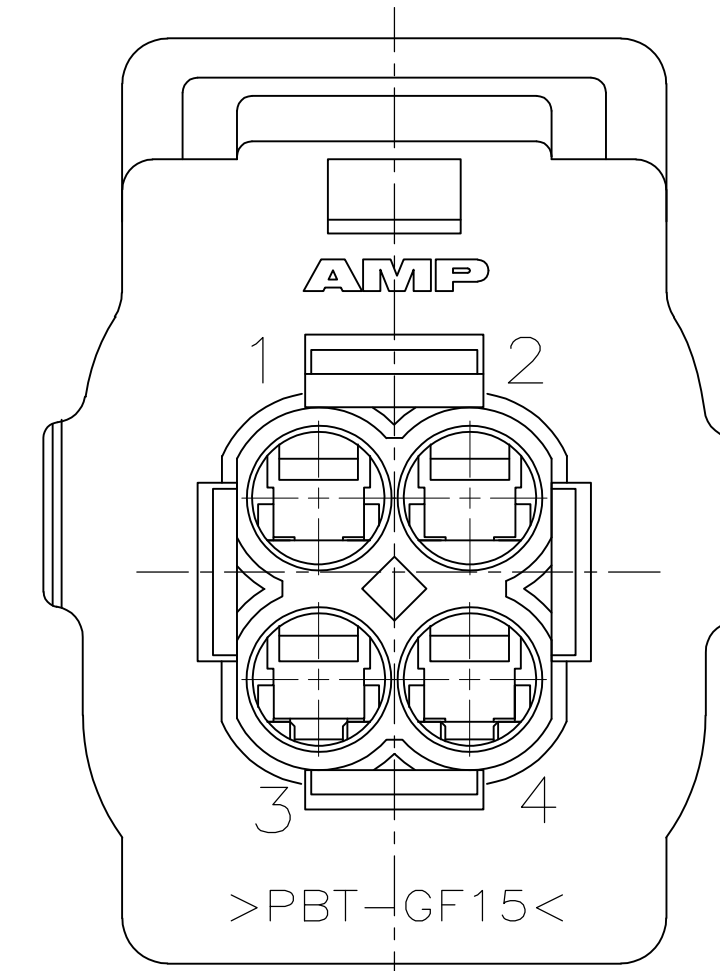
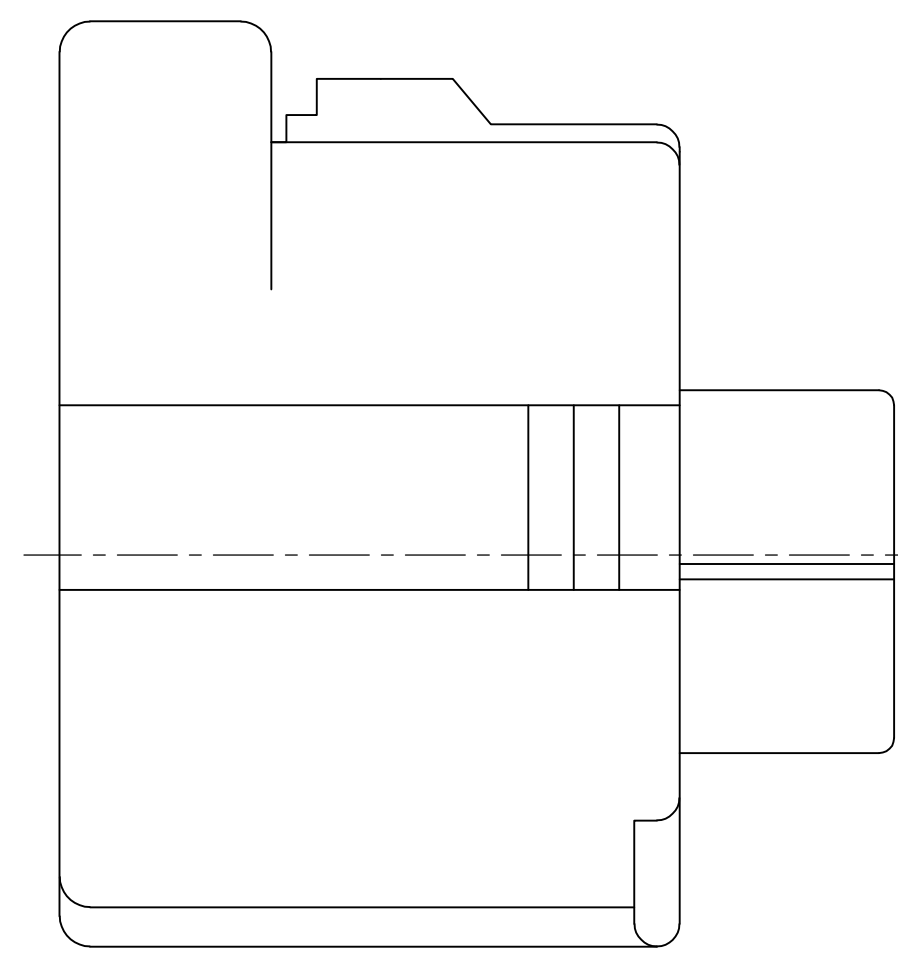
DBL LOCK PLATE
 MAT'L: PBT, 15%
 GLASS FILLED

PLUG HOUSING
 MAT'L: PBT, 15% GLASS FILLED

SEAL RING
 MAT'L: SILICONE RUBBER



SECTION Z-Z
SCALE 4:1



GRAY	184392-3
NATURAL	184392-2
BLACK	184392-1
PLUG COLOR	PART NUMBER

THIS DRAWING IS A CONTROLLED DOCUMENT.		DWN	AJ GRAFF	16MAY01	Tyco Electronics Corporation Harrisburg, Pa 17105-3608
DIMENSIONS: mm		CHK	K COBLE	16MAY01	
TOLERANCES UNLESS OTHERWISE SPECIFIED:		APVD	K COBLE	16MAY01	
0 PLC ± - 1 PLC ± 0.3 2 PLC ± 0.15 3 PLC ± - 4 PLC ± - ANGLES ± - FINISH -		PRODUCT SPEC	NAME		
MATERIAL		APPLICATION SPEC	2 X 2 PLUG ASSEMBLY, W/O SLOT, A KEY		RESTRICTED TO
		WEIGHT	-	SIZE	A2
		CUSTOMER DRAWING	CAGE CODE		00779
		SCALE	4:1	DRAWING NO	C=184392
		SHEET	1	OF	1
		REV	C		