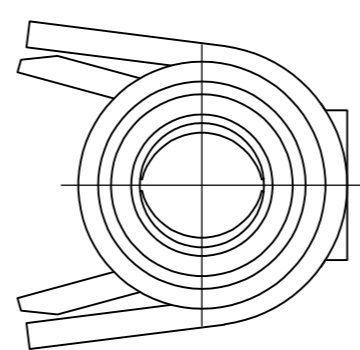
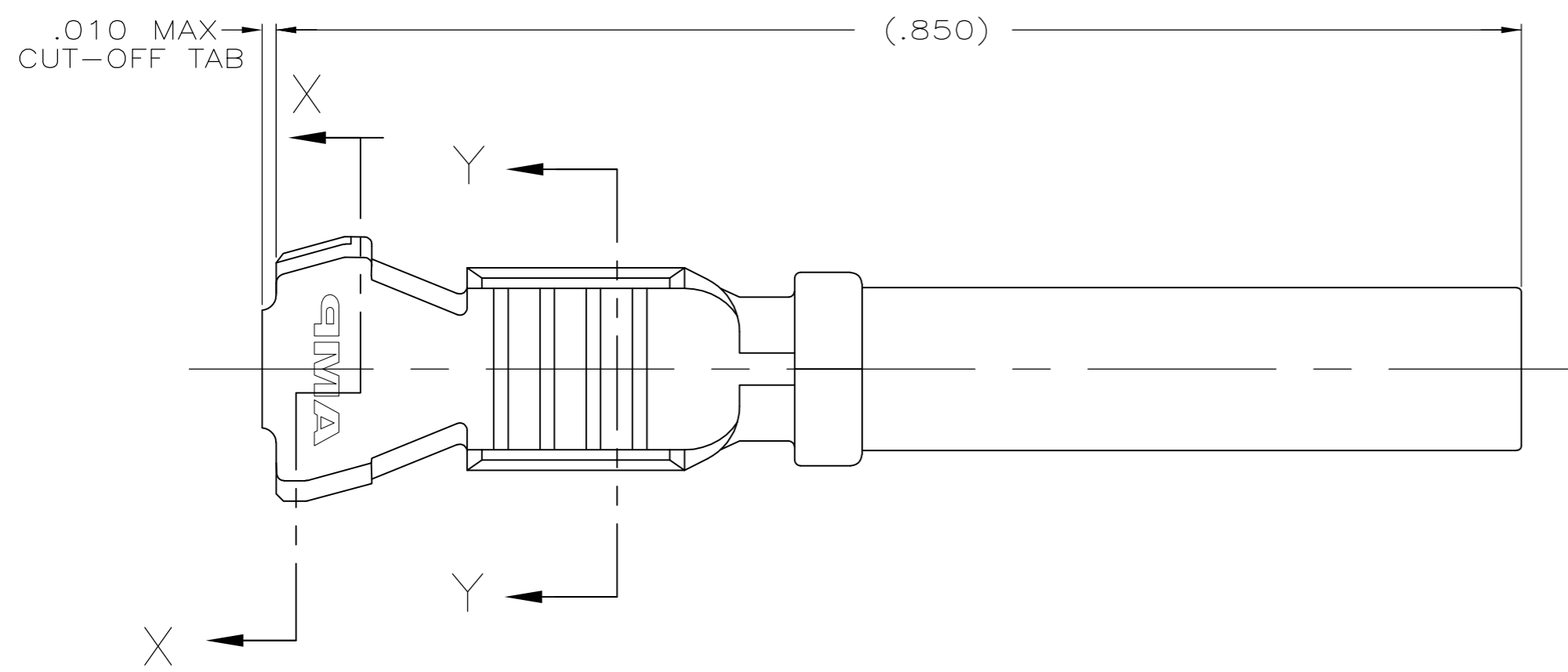
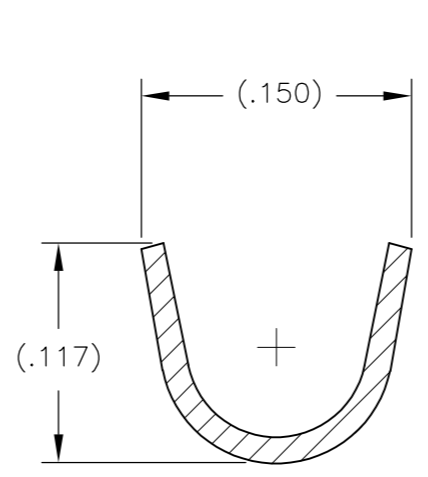
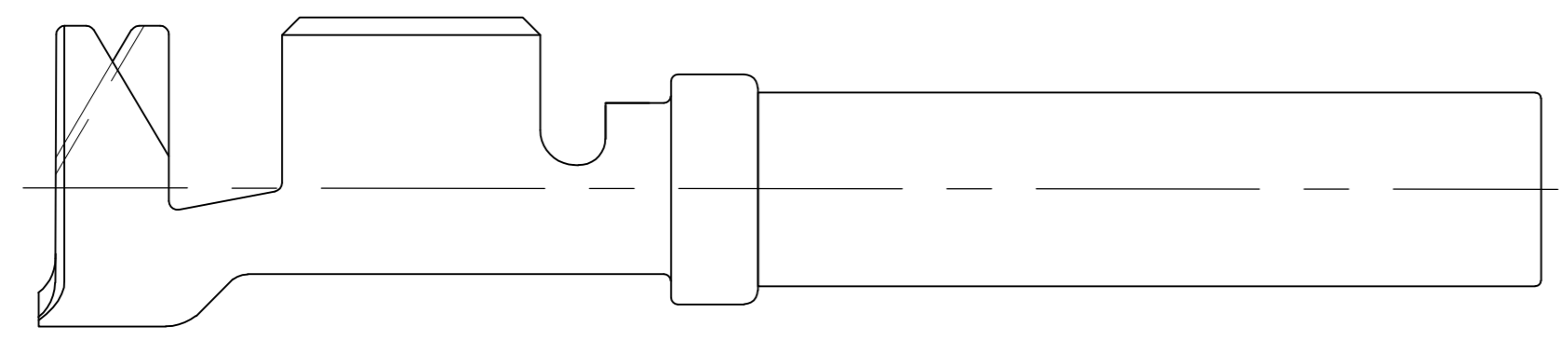


THIS DRAWING IS UNPUBLISHED. RELEASED FOR PUBLICATION
 © COPYRIGHT BY TYCO ELECTRONICS CORPORATION. ALL INTERNATIONAL RIGHTS RESERVED.

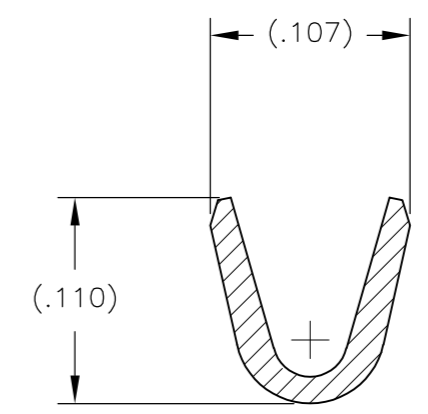
LOC	DIST	REVISIONS			
P	LTR	DESCRIPTION	DATE	DWN	APVD
GE	33	A	RELEASED PER ECO-10-004070	26FEB2010	DLD MPT



1. WIRE RANGE: 20-18 AWG WITH INSULATION DIAMETERS OF .050 - .107 INCHES.



SECTION X-X



SECTION Y-Y

LOOSE PIECE VERSION OF 1924464-2	NICKEL	1924580-2
LOOSE PIECE VERSION OF 1924464-1	GOLD	1924580-1
DESCRIPTION	FINISH	PART NUMBER

THIS DRAWING IS A CONTROLLED DOCUMENT.		DWN D. DRUMMOND 20JUL2009	Tyco Electronics Corporation Harrisburg, PA 17105-3608	
DIMENSIONS: INCHES	TOLERANCES UNLESS OTHERWISE SPECIFIED:	CHK M. TRULL 20JUL2009	Tyco Electronics	
	0 PLC ± -	APVD M. TRULL 20JUL2009	NAME ASSEMBLY, SOCKET CONTACT, LOOSE PIECE	
	1 PLC ± -	PRODUCT SPEC	SIZE CAGE CODE DRAWING NO RESTRICTED TO	
	2 PLC ± .02	APPLICATION SPEC	A2 00779 C=1924580	
	3 PLC ± .005	FINISH	SCALE 10:1 SHEET 1 of 1 REV A	
MATERIAL	FINISH	WEIGHT	CUSTOMER DRAWING	