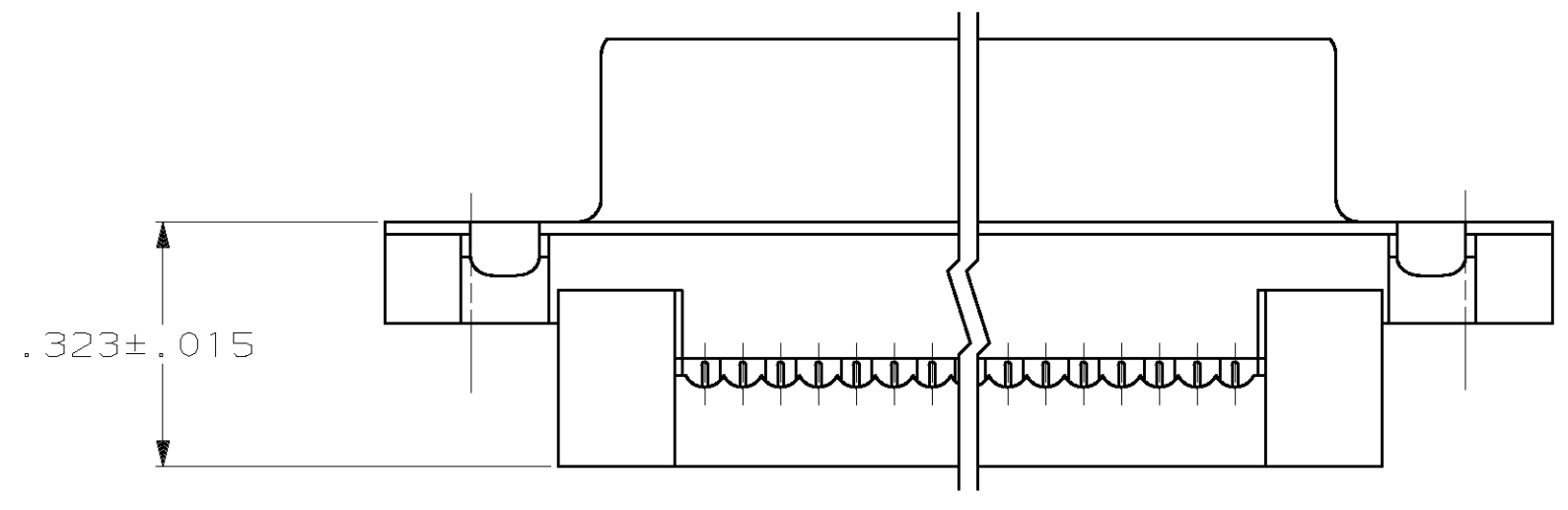
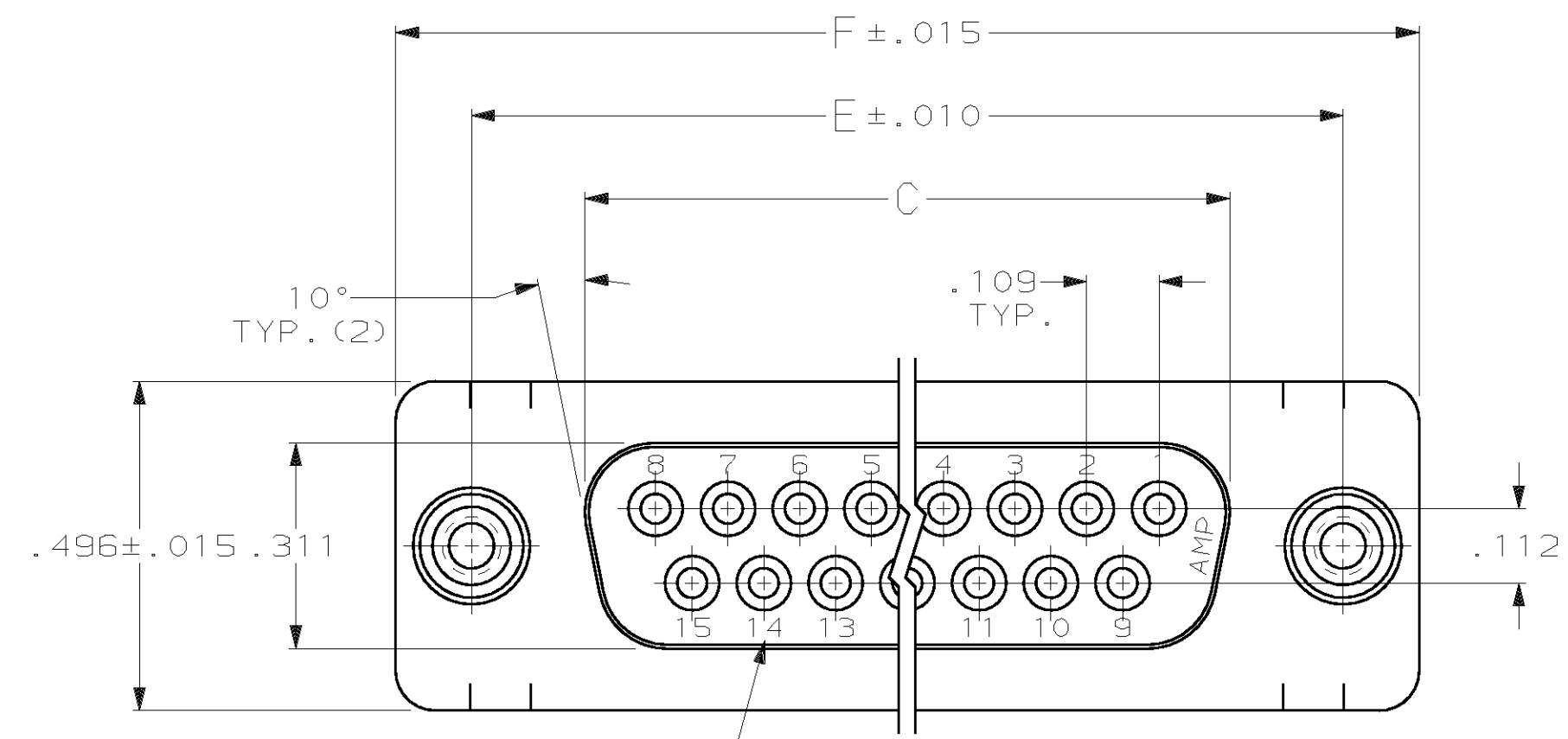


LOC		DIST		REVISIONS			
GP	00	TR	LYR	DESCRIPTION	DATE	DWN	APVD
		H		REVISED PER EC 0513-0410-02	21NOV02	JG	CR

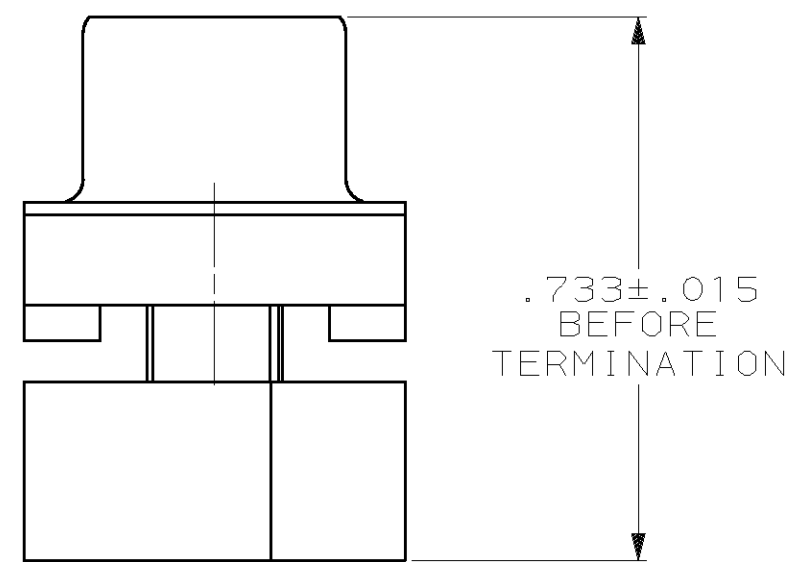
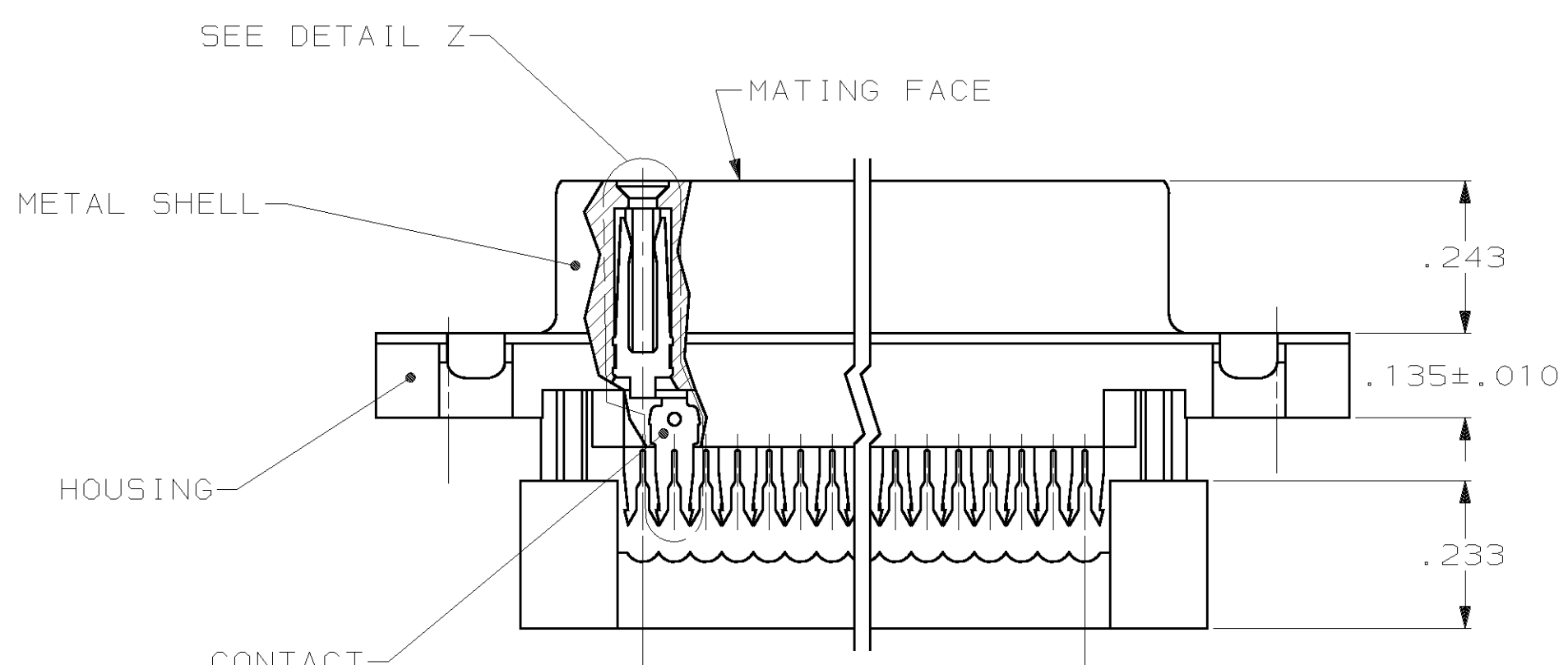


TERMINATED VIEW  
W/COVER ASSEMBLED

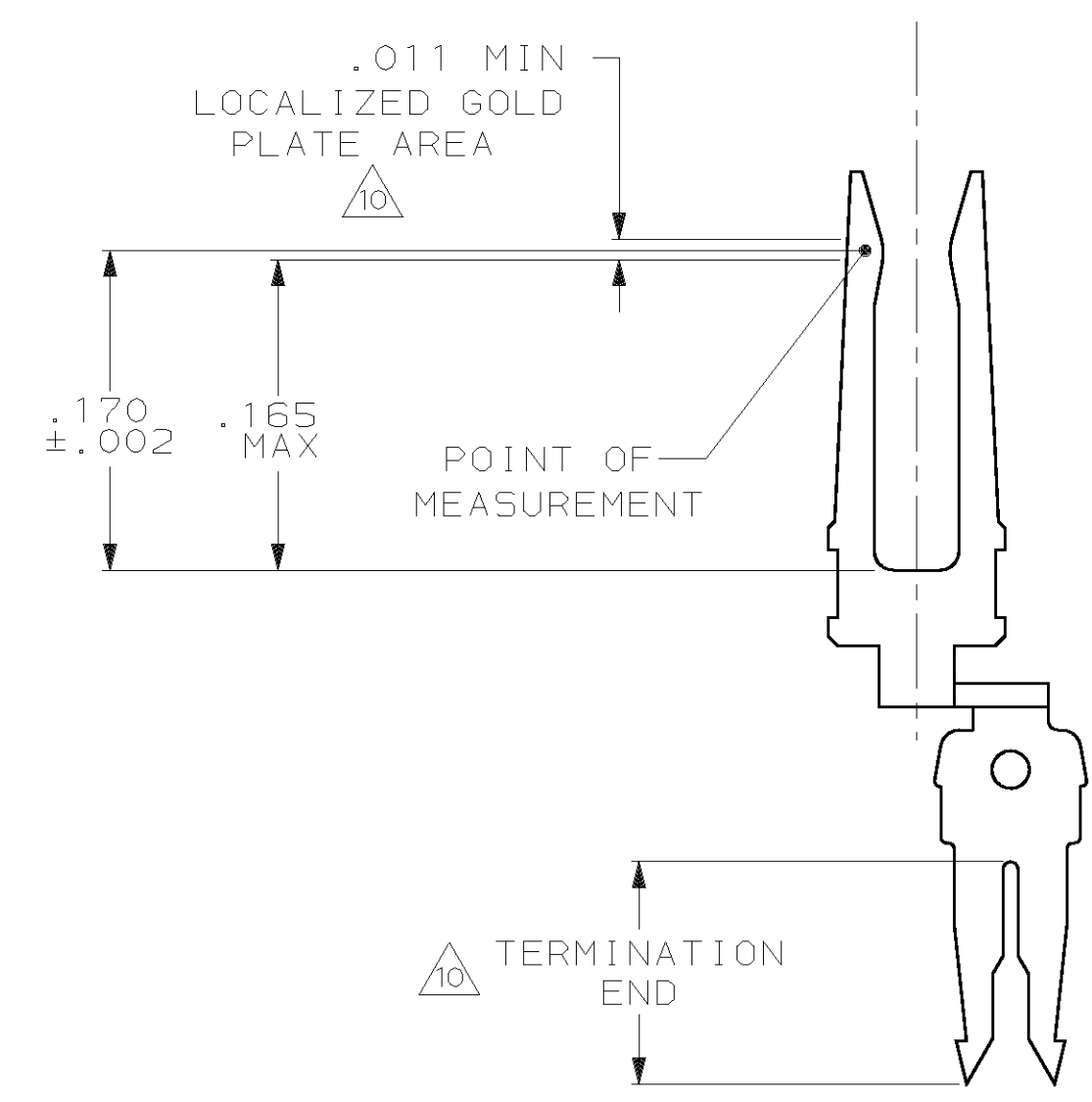
- CONNECTORS COMPLY WITH AMP SPEC. 108-40,012 AND MATE WITH ANY SAME NUMBER POSITION PLUG CONNECTOR IN AMPLIMITE SERIES.
  - CONNECTOR DESIGNED FOR 28 AND 26 AWG STRANDED AND SOLID CONDUCTOR RIBBON CABLE ON .050 $\phi$ .
- ▲ FASTENERS WILL WITHSTAND 6 IN. LBS. TORQUE AND 50 LBS PULL OUT FORCE FROM MATING FACE SIDE.
  - ▲ MOLDED PARTS: UL RATED 94 V-0 THERMOPLASTIC, COLOR: BLACK.
  - ▲ SHELL: STEEL PER QQ-S-698.
  - ▲ CONTACTS: PHOSPHOR BRONZE PER QQ-B-750.
  - ▲ FASTENERS: BRASS PER QQ-B-626.
  - ▲ GOLD PLATING PER MIL-G-45204, BRIGHT TIN PLATING PER MIL-T-10727, TIN LEAD PLATING PER MIL-P-81728, NICKEL PLATING PER QQ-N-290.
  - ▲ SHELL: BRIGHT TIN PLATED.
  - ▲ CONTACTS: PLATED WITH .000030 GOLD IN LOCALIZED GOLD PLATE AREA, .000100-.000200 BRIGHT TIN LEAD ON TERMINATION END, ALL OVER .000050 NICKEL ON ENTIRE CONTACT.
  - ▲ LOCKING FASTENER IS COLOR CODED RED TO IDENTIFY SELF-LOCKING FEATURE.
  - ▲ LOCKING FEATURE PROVIDES A RESISTIVE TORQUE OF 10 TO 80 IN-OZ, USING A 4-40 GAUGE SCREW.



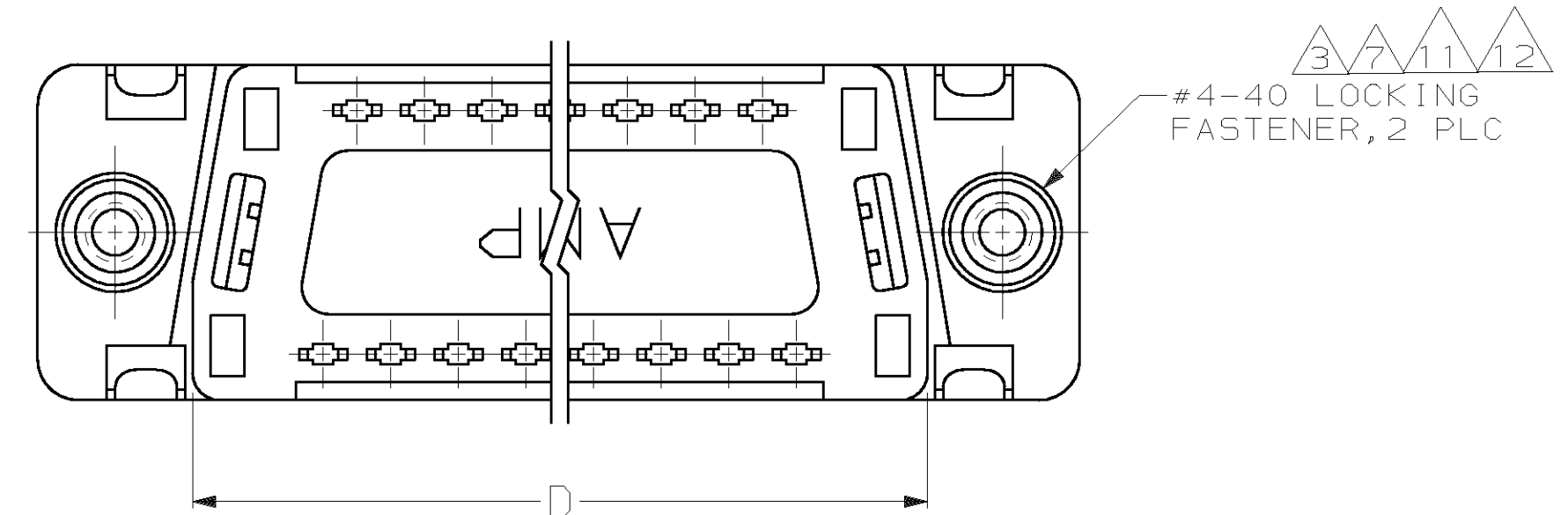
RECESSED CAVITY IDENTIFICATION (15 POSITION SHOWN)



A SPACES AT .050 STAGGERED SPACING = B REF



CONTACT DETAIL



OBSOLETE	1.764	1.526	1.287	1.184	.900	18	19	746861-5
	1.216	.984	.759	.643	.400	8	9	746861-4
	1.541	1.312	1.087	.971	.700	14	15	746861-3
	2.090	1.852	1.623	1.511	1.200	24	25	746861-2
OBSOLETE	2.732	2.500	2.275	2.159	1.800	36	37	746861-1
	F	E	D	C	B	A	NO. OF POS.	PART NUMBER

THIS DRAWING IS A CONTROLLED DOCUMENT FOR AMP INCORPORATED. IT IS SUBJECT TO CHANGE AND THE CONTROLLING ENGINEERING ORGANIZATION SHALL BE CONTACTED FOR THE LATEST REVISION.		DWN: J. PEACHEY 09 SEP 85 CHK: W. ZELKO 26 SEP 85 APVD: S. GOOD 30 SEP 85	AMP Incorporated Harrisburg, PA 17105-3608
DIMENSIONS: INCHES TOLERANCES UNLESS OTHERWISE SPECIFIED: 0 PLC ±.005 1 PLC ±.005 2 PLC ±.005 3 PLC ±.005 4 PLC ±.005 ANGLES ±.2°	MATERIAL: 4 6 7 8 9 10 11 12 FINISH: 6 8 9 10 11 12	PRODUCT SPEC: 5 GOOD APPLICATION SPEC:	NAME: RECEPTACLE ASSY, LOW PROFILE HDF, FRONT METAL SHELL, W/PREASSEMBLED COVER & LOCKING FASTENERS SIZE: A1 CAGE CODE: 00779 DRAWING NO: C-746861
CUSTOMER DRAWING		SCALE: 4:1	SHEET 1 OF 1 REV H