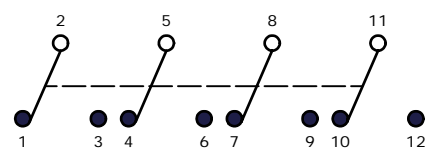
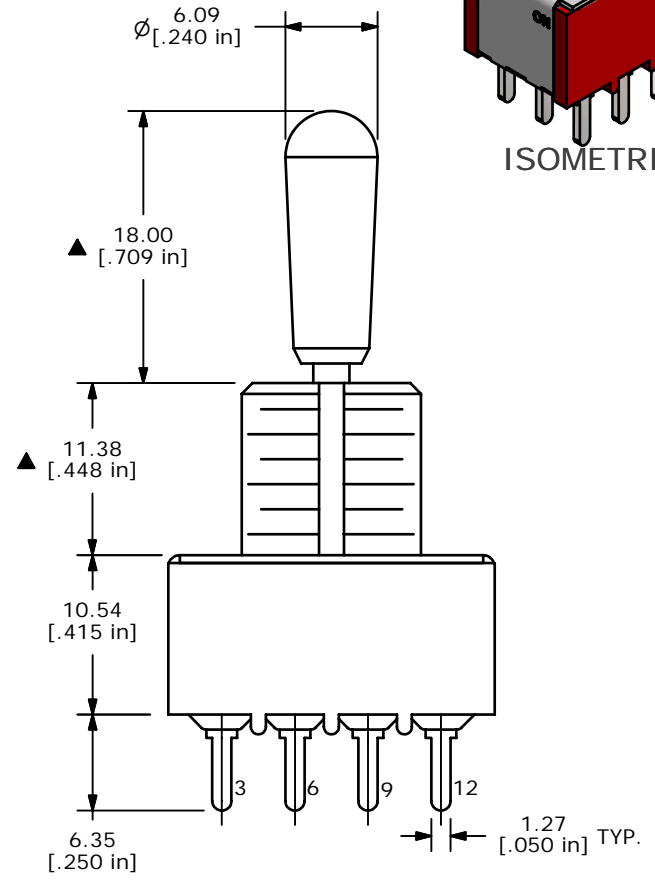
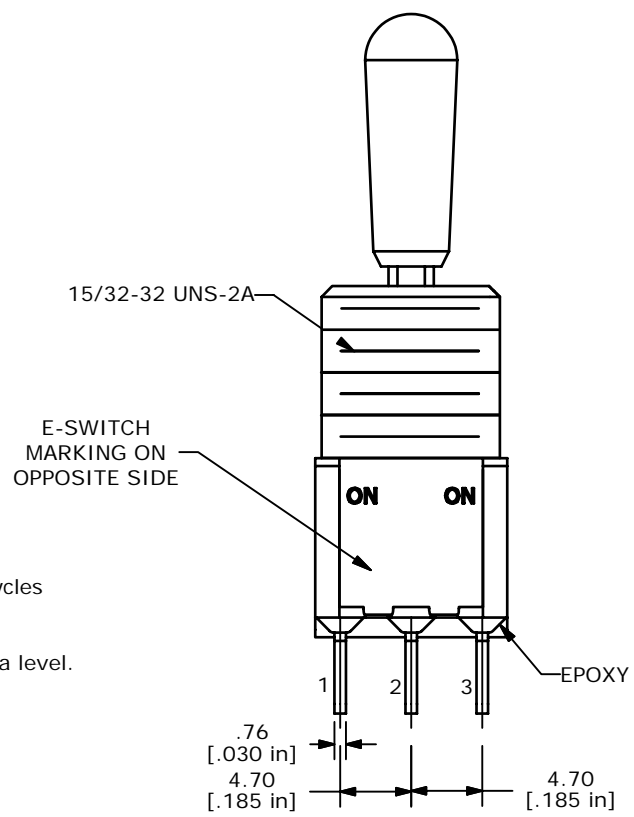


SWITCH FUNCTION		
POS. 1	POS. 2	POS. 3
ON	NONE	ON
2-3, 5-6, 8-9, 11-12	OPEN	2-1, 5-4, 8-7, 11-10



- NOTE: CIRCUIT: 4PDT
- ALL DIMENSIONS IN MM [INCH]
  - GENERAL TOLERANCE: X.X=±0.4  
X.XX=±0.25
  - TERMINAL NUMBERS FOR REF ONLY
  - ▲ PLATING MATERIAL: GOLD
  - RATING: 0.4VA @ 20VAC OR VDC
  - ELECTRIC LIFE: 40,000 make-and-break cycles at full load.
  - INSULATION RESISTANCE: 1,000 MΩ min.
  - DIELECTRIC STRENGTH: 1,000 V RMS @sea level.
  - OPERATING TEMP.: -30°C to 85°C
  - ▲ DENOTES CRITICAL PARAMETER.
  - 2002/95/EC (ROHS) COMPLIANCE
  - HARDWARE TO BE SUPPLIED BULK:  
T100012-LOCK WASHER QTY-1  
T100003-LOCK RING QTY-1  
T100004-HEX NUT QTY-2



B	15895	EDIT SWITCH TO GOLD	3/23/06	PH
A	15849	RELEASED FOR PRODUCTION	3/9/06	PH
REV	PCR NO	DESCRIPTION	DATE	BY

**E-SWITCH®**

TITLE 1004P1T8B13M2REH

SCALE 2:1	DATE 3/9/2006	DR PH	DWG ST112027	REV B
-----------	---------------	-------	--------------	-------

THE INFORMATION CONTAINED IN THIS DOCUMENT IS PROPRIETARY TO E-SWITCH AND IS NOT TO BE COPIED OR TRANSFERRED