

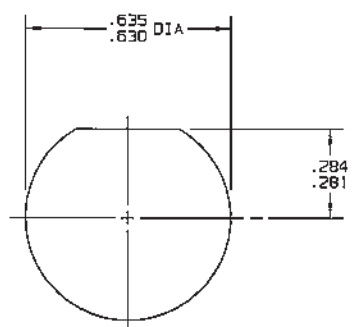
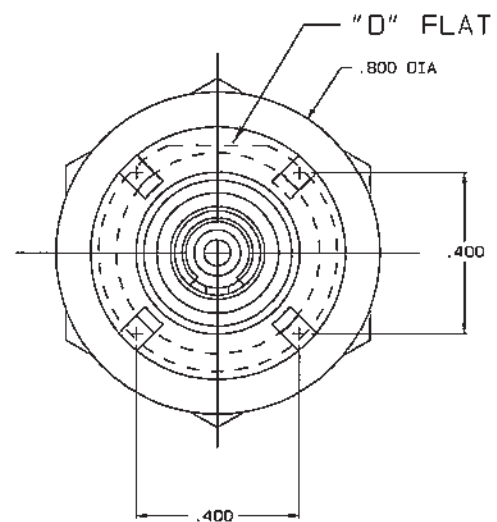
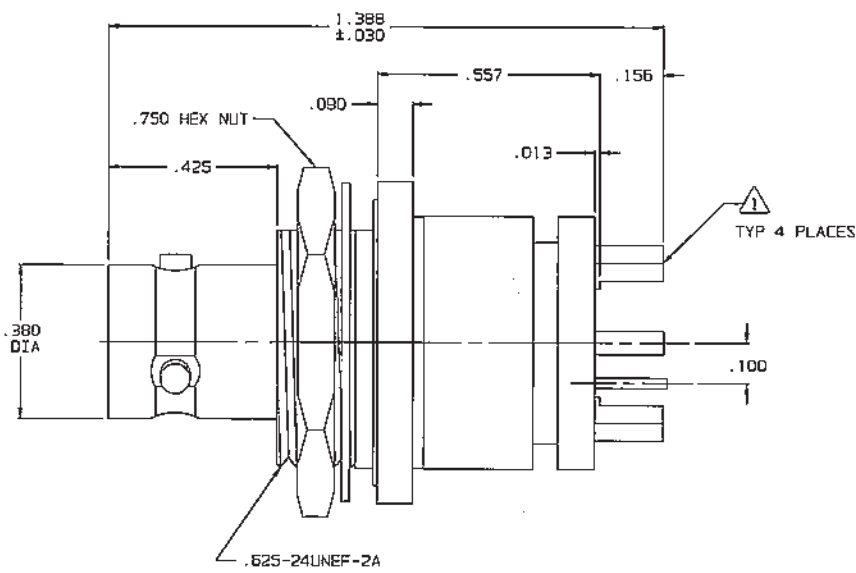
DATA CONTAINED IN THIS DOCUMENT IS PROPRIETARY TO TROMPETER ELECTRONICS INC. AND SHALL NOT BE DISCLOSED, COPIED OR USED FOR PROCUREMENT OR MANUFACTURE WITHOUT EXPRESS WRITTEN PERMISSION OF TROMPETER ELECTRONICS INC.

REVISIONS

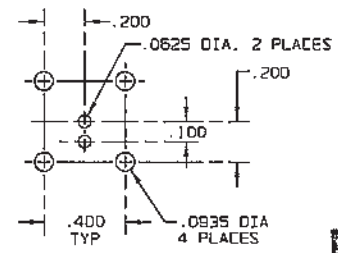
3-0282

SH 1

REV	DESCRIPTION	DATE	APPROVED
C	REVISED PER ECO #15165	11/6/03	<i>WJ</i>



RECOMMENDED
PANEL CUTOUT



RECOMMENDED
MTG HOLE PATT
SCALE: NONE

RED INDICATES ORIGINAL

- 4. MAXIMUM PANEL THICKNESS .109
- 3. FEMALE 3-LUG CONCENTRIC TWINAX / TRIAX CIRCUIT BOARD AND INSULATING BULKHEAD MOUNT RECEPTACLE
- 2. FINISH: YFS-1A (NICKEL)

⚠ PRE-TINNED, .0015 MAXIMUM THICKNESS WITH SN63 OR EQUIV SOLDER, PER BG-S-571, TO WITHIN .060 MAXIMUM OF SHOULDER, AFTER PLATING

INTERPRET DRAWING PER MIL-STD-100 DIMENSIONS ARE IN INCHES AND INCLUDE FINISH THICKNESS UNLESS OTHERWISE SPECIFIED

TOL: UNLESS SPECIFIED
.XX
.XXX ±.005
.XXXX ±.0010
ANGLES



DRAWN	DATE	MATERIAL:
PD	11-04-03	
CHECKED		
<i>T.Kha</i>	11-4-03	
QUALITY		
<i>WJ</i>	11/6/03	
FINISH:		
<i>WJ</i>	11/6/03	
APPROVED		
<i>WJ</i>	11/6/03	
LEAD PICE NO.	3-0282C	

TITLE:		CBBJ74	
SIZE	EAGE CODE	DRAWING NO.	REV.
A	14949	3-0282	C
SCALE	DATE:	SHEET	
4/1	5-20-92	1C	

NEXT ASSY

DO NOT SCALE DRG