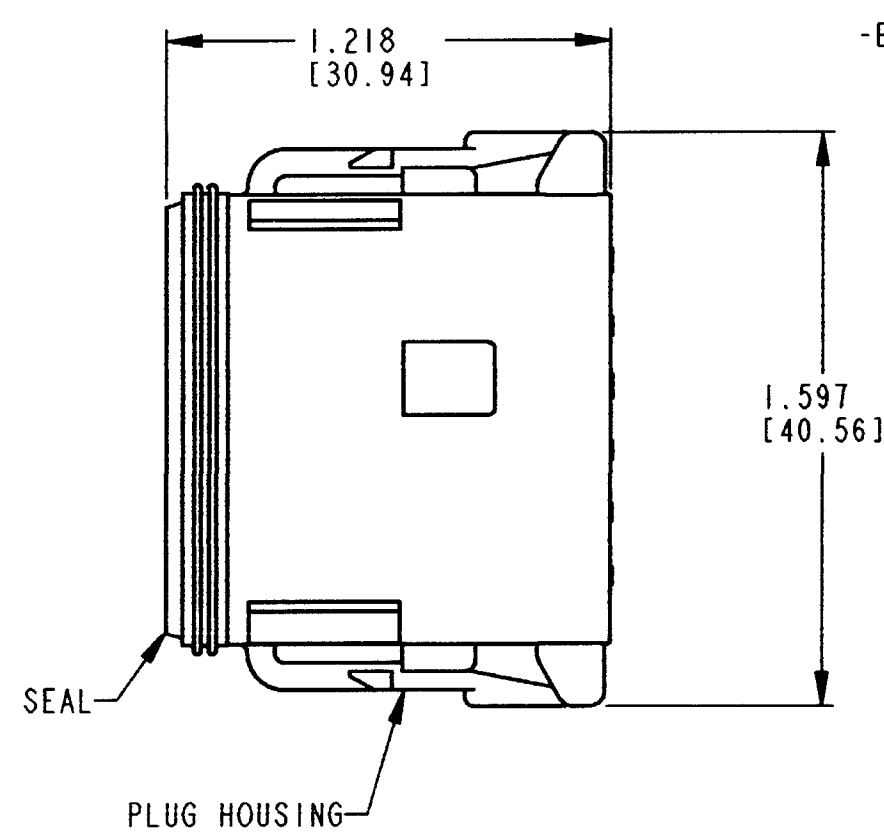
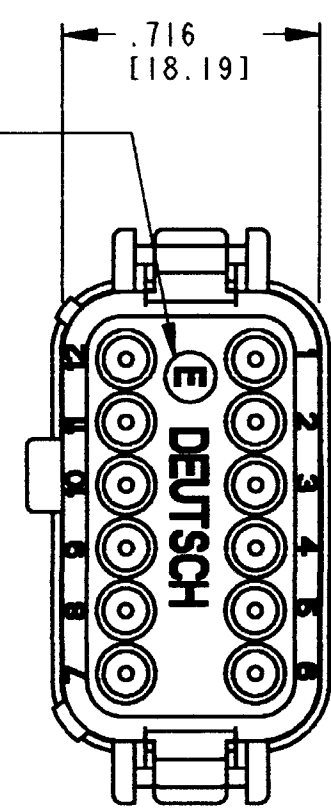


DATE LEGEND

YEARS TO BE REPRESENTED BY LAST NUMERICAL DIGIT
MONTH USES SEQUENTIAL ALPHA CHARACTERS, EX: A= JANUARY ...



-E- SYMBOL DESIGNATES
REDUCED WIRE SEAL



REV		REVISIONS		
SYM	DESCRIPTION	DATE	APPROVED	
A	DT06-12SA-CE06			
NC	NEW RELEASE PER E.O. P16023	5/20/99	R.D.R.	
A	REVISED PER E.O. P19139	1-19-06	RDR	

CONTACT SIZE	MIN. INSUL O.D.	MAX. INSUL O.D.	WIRE RANGE [mm ²]
16	.053 [1.35]	.120 [3.05]	14-20 AWG [2.0-0.5]

- NOTES:
- DIMENSIONS ARE IN INCHES [MILLIMETERS].
 - DIMENSIONS ARE ±.025[0.63] UNLESS OTHERWISE SPECIFIED.
 - FOR CONTACTS AND WIRE PERFORMANCE AND APPLICATION CHARACTERISTICS SEE ENVELOPE DRAWING 0425-015-0000 AND 0425-017-0000.
 - THIS PLUG MATES WITH THE DT04-12PA-**** RECEPTACLE (**** = ALL MODIFICATIONS). CONSULT FACTORY FOR MODIFICATIONS.

SIGNATURE & DATE	
DR	D. SPENCER 08APR99
CHK	B. Byrd 1/18/06
PE	[Signature] 1/4/06
APPD	R. Reed 1-18-06
SCALE	NONE WT

12 WAY PLUG
-CE06 MOD.
COLOR: GRAY
DT SERIES

ENVELOPE

CP	MATL. CODE
The Deutsch Company DEUTSCH I.P.D. 3850 INDUSTRIAL AVE. HEMET, CALIF. 92545	
B	DT06-12SA-CE06
DWG SIZE	CODE 11139 SHEET 1 OF 1