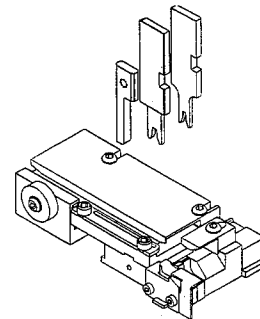




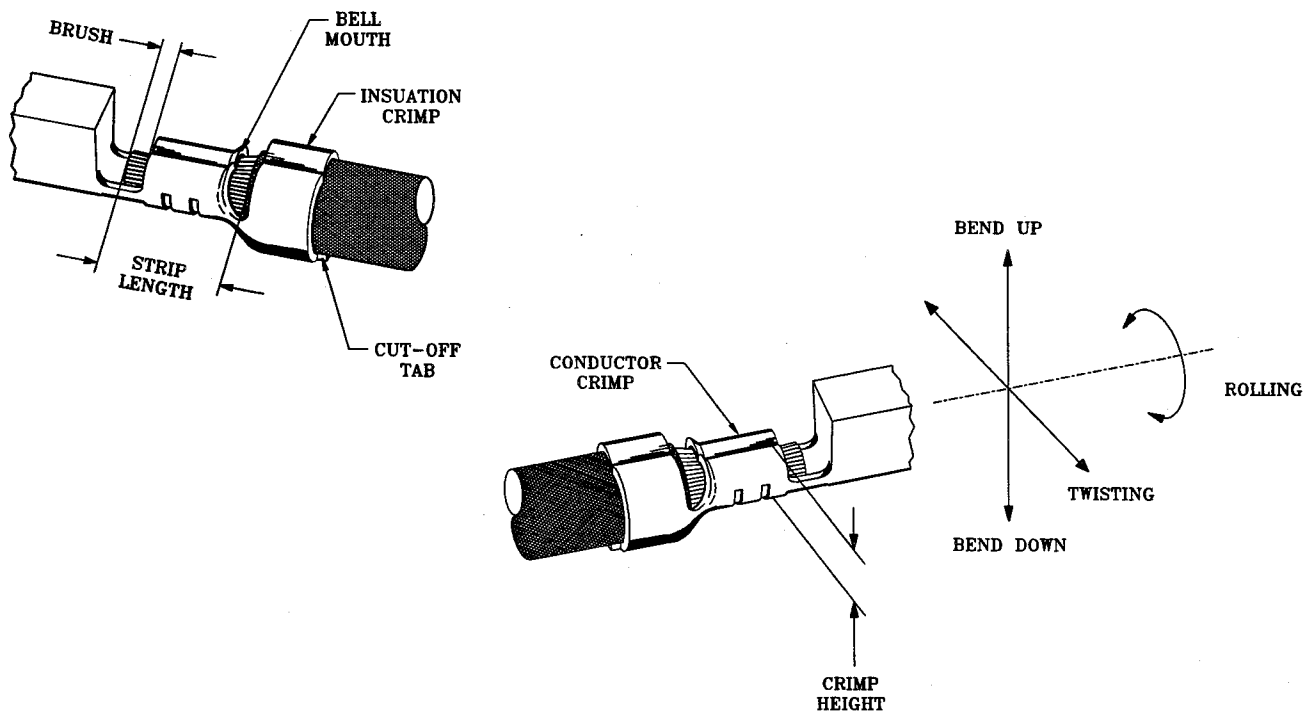
**SPECIFICATION SHEET**  
**T2 Terminator**  
**63853-1000**  
**REVISION A**



**SCOPE**

Terminal Series No	Wire Size		Insulation Diameter		Strip Length	
	Awg	(mm <sup>2</sup> )	mm	(in)	mm	(in)
'30808-400		22			'2.2-2.7mm	'0.86-.106

**DEFINITION OF TERMS**



The above terminal drawing is a generic terminal representation. It is not an image of a terminal listed in the scope



## PARTS LIST

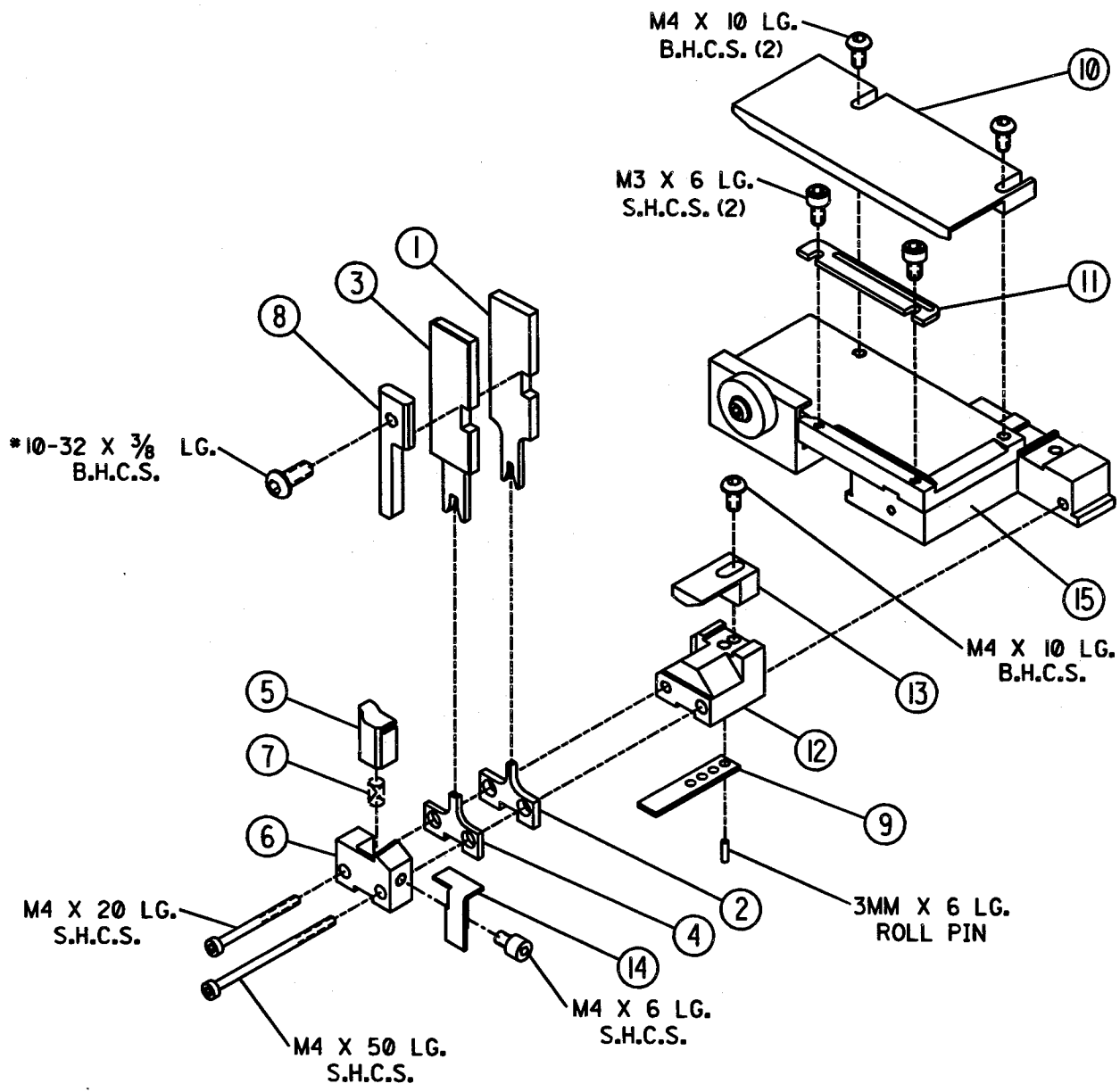
Item Number	Order Number	Eng Number	Description	Qty	Kit Part
1	63444-1602	634441602	Conductor Punch	1	Y
2	63445-1631	634451631	Conductor Anvil	1	Y
3	63446-1906	634461906	Insulation Punch	1	Y
4	63445-1918	634451918	Insulation Anvil	1	Y
5	63443-0002	634430002	Cut-Off Plunger	1	Y
6	63443-0012	634430012	Front Plunger Retainer	1	Y
7	011-24-1067	4996-4	Cut-Off Plunger Spring	1	
8	011-40-4039	11404039	Front Plunger Striker	1	
9	63443-0021	634430021	Lower Tooling Key	1	
10	63443-6004	634436004	Rear Cover	1	
11	011-18-4094	60709A111	Front Cover	1	
12	63443-2407	634432407	Anvil Mount	1	
13	63443-4021	634434021	Wire Stop	1	
14	63443-0009	634430009	Scrap Chute	1	
15	63800-8500	638008500	T2 Terminator	1	
70	63853-1070	638531070	Tool Kit (All "Y" Items)	0	

## NOTES

1. We recommend an extra perishable tooling kit be maintained at your facility.
2. Verify tooling alignment by manually cycling the press and Terminator before crimping under power.
3. Slugs , Terminals, Dirt and Oil should be kept clear of work area.
4. This Terminator should only be used in a Molex TM42, TM40, or 3BF Press with a BaseUnit adaptor.
5. **\*\* CAUTION\*\*** To prevent injury never operate this Terminator without the guarding supplied with the TM42 , TM40, or 3BF Press / Base Unit.
6. Wear safety glasses at all times.

# ASSEMBLY DRAWING

The drawing below is a generic drawing representation. Some detail may not be shown. The T2 Terminator assembly and parts list can be found in the T2 Terminator manual.

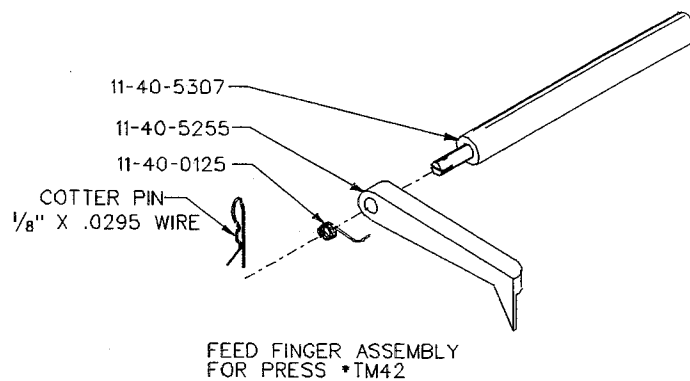


## Note

Depending on the press vintage a feed finger assembly is supplied with the T2 Terminator.

1. To remove the existing feed finger assembly loosen the M4 x 10 mm set screw in the feed lever.
2. Select T2 Feed finger assembly from Terminator box
3. Insert a screwdriver into to slot behind the feed lever and force the 12 mm spring to the right.
4. Slide the T2 feed finger shaft for TM42 (11-40-5307) or (11-40-0123) for TM40 /Base Unit into the feed lever and to the left of the 12 mm spring.
5. Release the 12 mm spring.
6. Position feed finger for selected product. (Ref fig 5.1 T2 Manual)

### TM42 Press



### TM40 Press & BaseUnit & Adaptor

