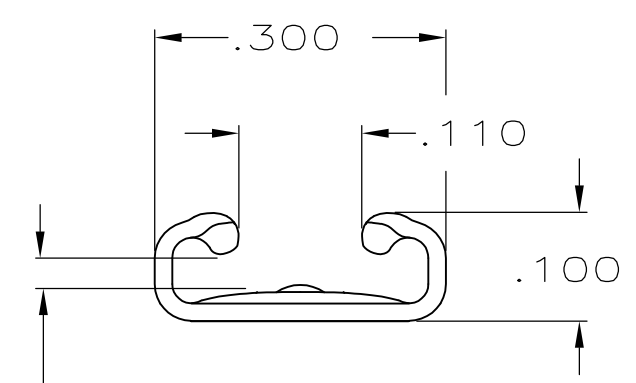
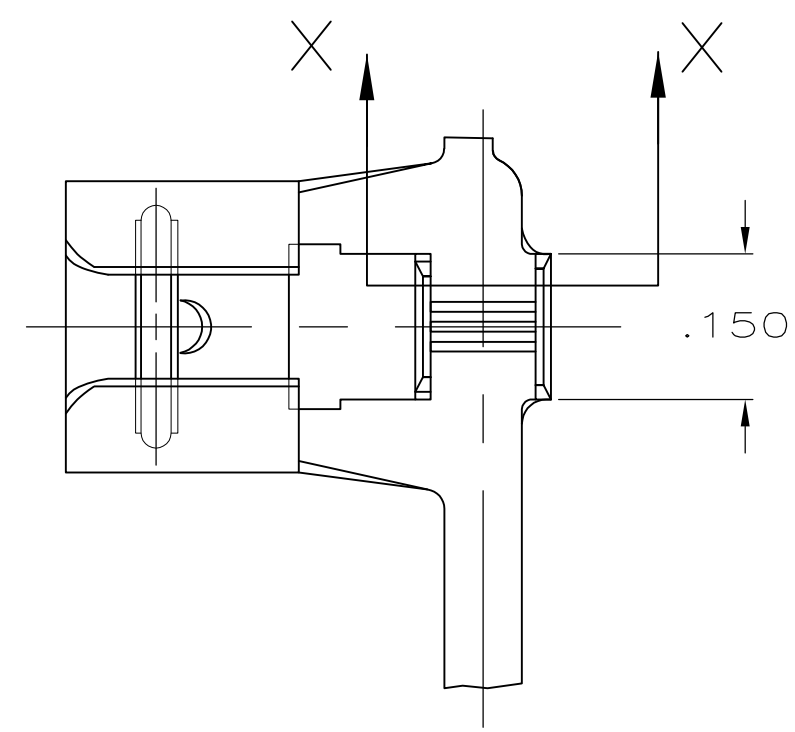


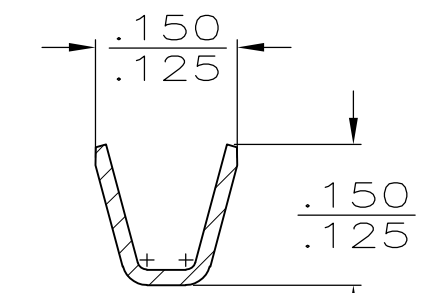
THIS DRAWING IS UNPUBLISHED. RELEASED FOR PUBLICATION  
 © COPYRIGHT - By - ALL RIGHTS RESERVED.

LOC	DIST	REVISIONS					
AF	50	P	LTR	DESCRIPTION	DATE	DWN	APVD
		F		REVISED PER ECR-12-013518	23NOV2012	KH	PD

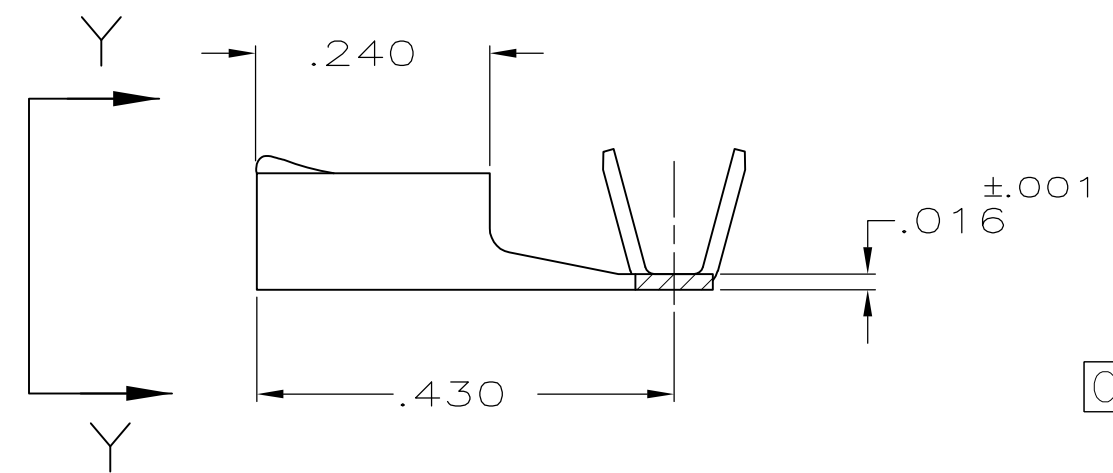
1 CONTINUOUS STRIP ON REELS



FITS .250 SERIES FASTON TAB  
 VIEW Y-Y



SECTION X-X



OBSOLETE

PRE-TIN	18-14	.032	63508-2
FINISH	18-14	.032	63508-1
	WIRE SIZE	MATING TAB THK ±.001	PART NO

.218	F	.110	.070	14
			.061	16
			.055	18
STRIP LENGTH ±.015	TYPE	WIDTH	±.002 HEIGHT	WIRE
WIRE BARREL CRIMP				

THIS DRAWING IS A CONTROLLED DOCUMENT.

DIMENSIONS: INCHES

TOLERANCES UNLESS OTHERWISE SPECIFIED:

0 PLC	± -
1 PLC	± -
2 PLC	± -
3 PLC	± .010
4 PLC	± -
ANGLES	± -

MATERIAL: BRASS

FINISH: SEE TABLE

DWN: JR RUTH 8/3/88  
 CHK: M FETHER 8/3/88  
 APVD: C MEYERS 8/4/88  
 PRODUCT SPEC: R KUZO  
 APPLICATION SPEC: -  
 WEIGHT: -



NAME: RECEPTACLE, FASTON,™ FLAG, .250 SERIES			
SIZE: A3	CAGE CODE: 00779	DRAWING NO: C-63508	RESTRICTED TO: -
CUSTOMER DRAWING		SCALE: 5:1	SHEET: 1 OF 1
		REV: F	