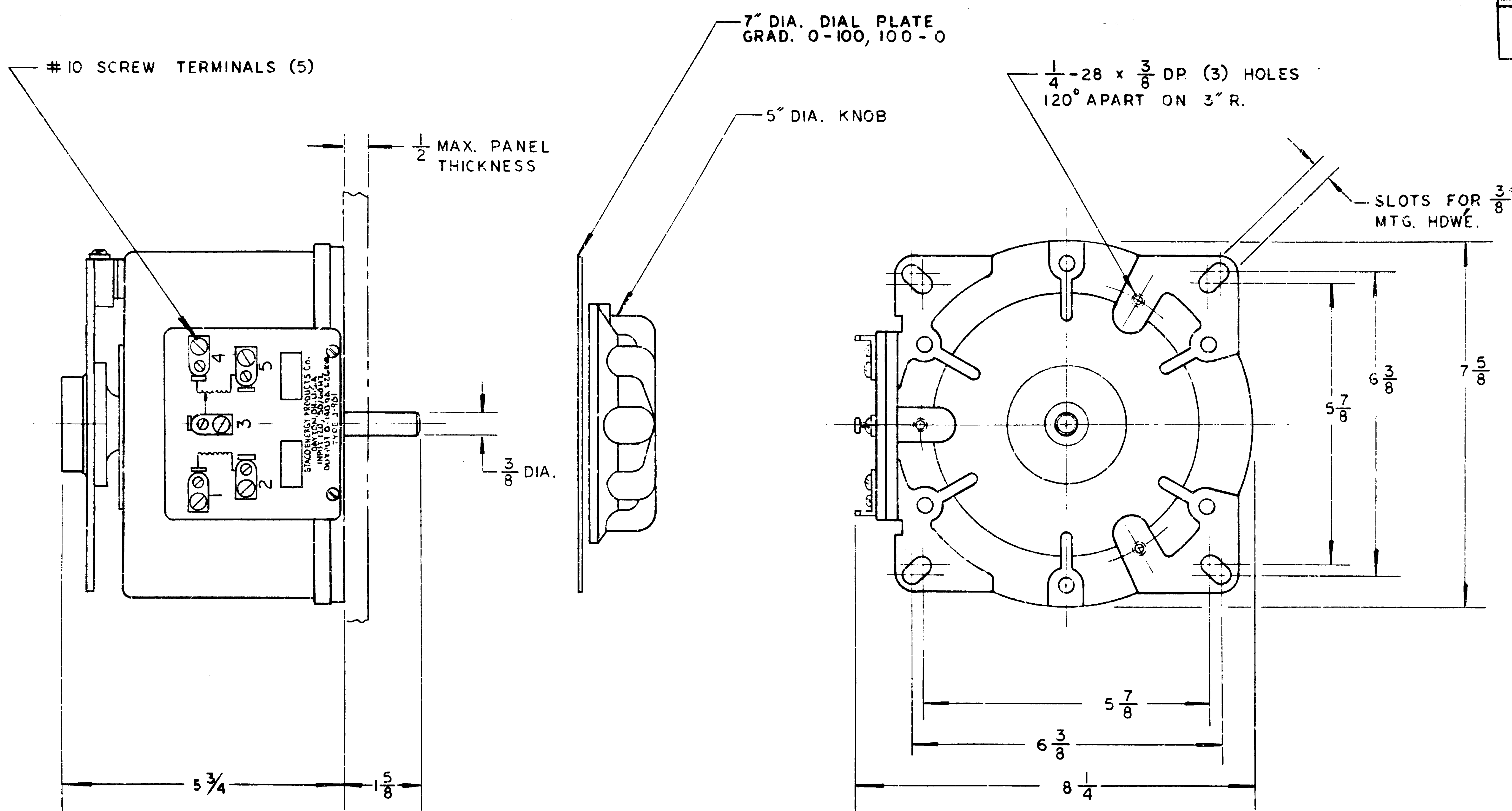
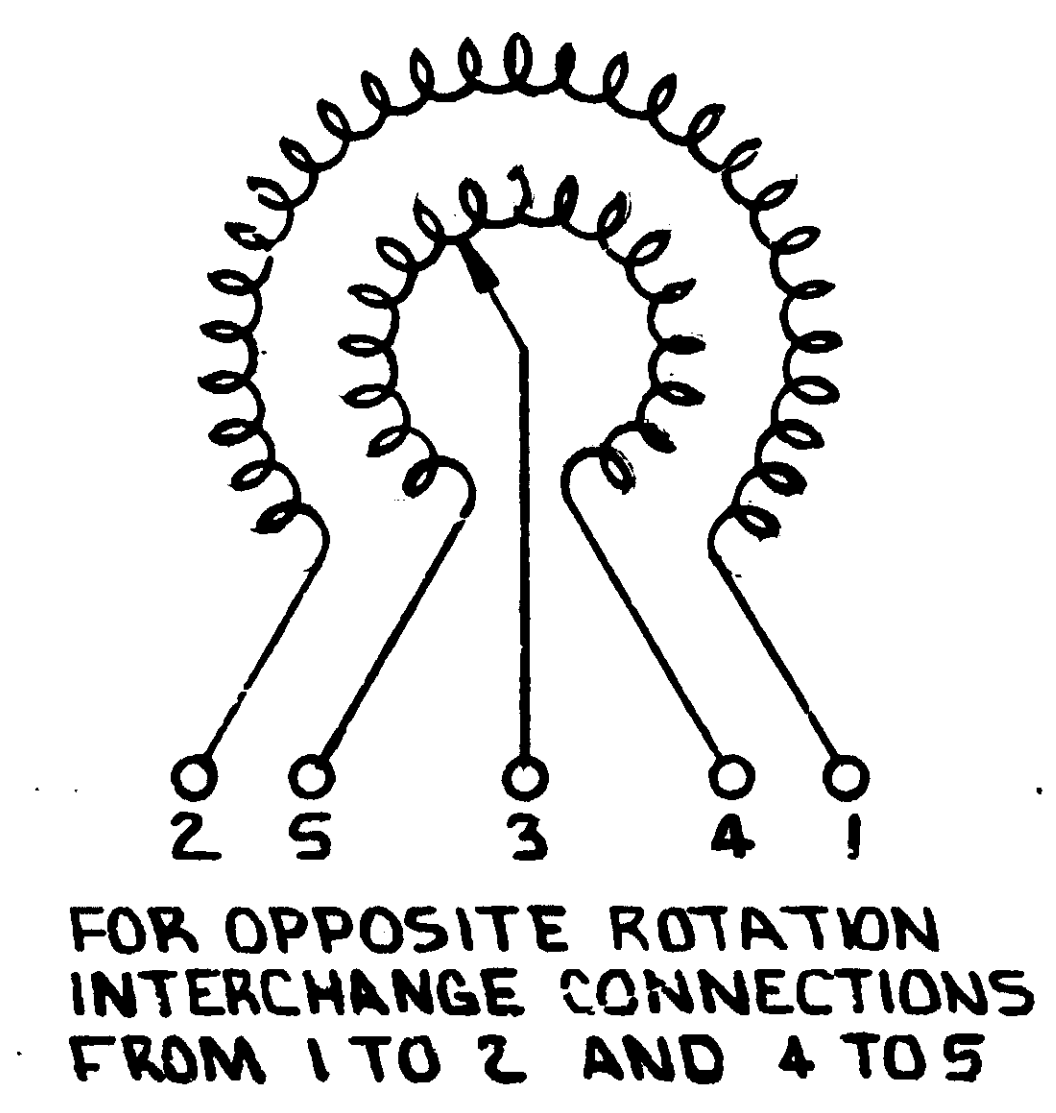


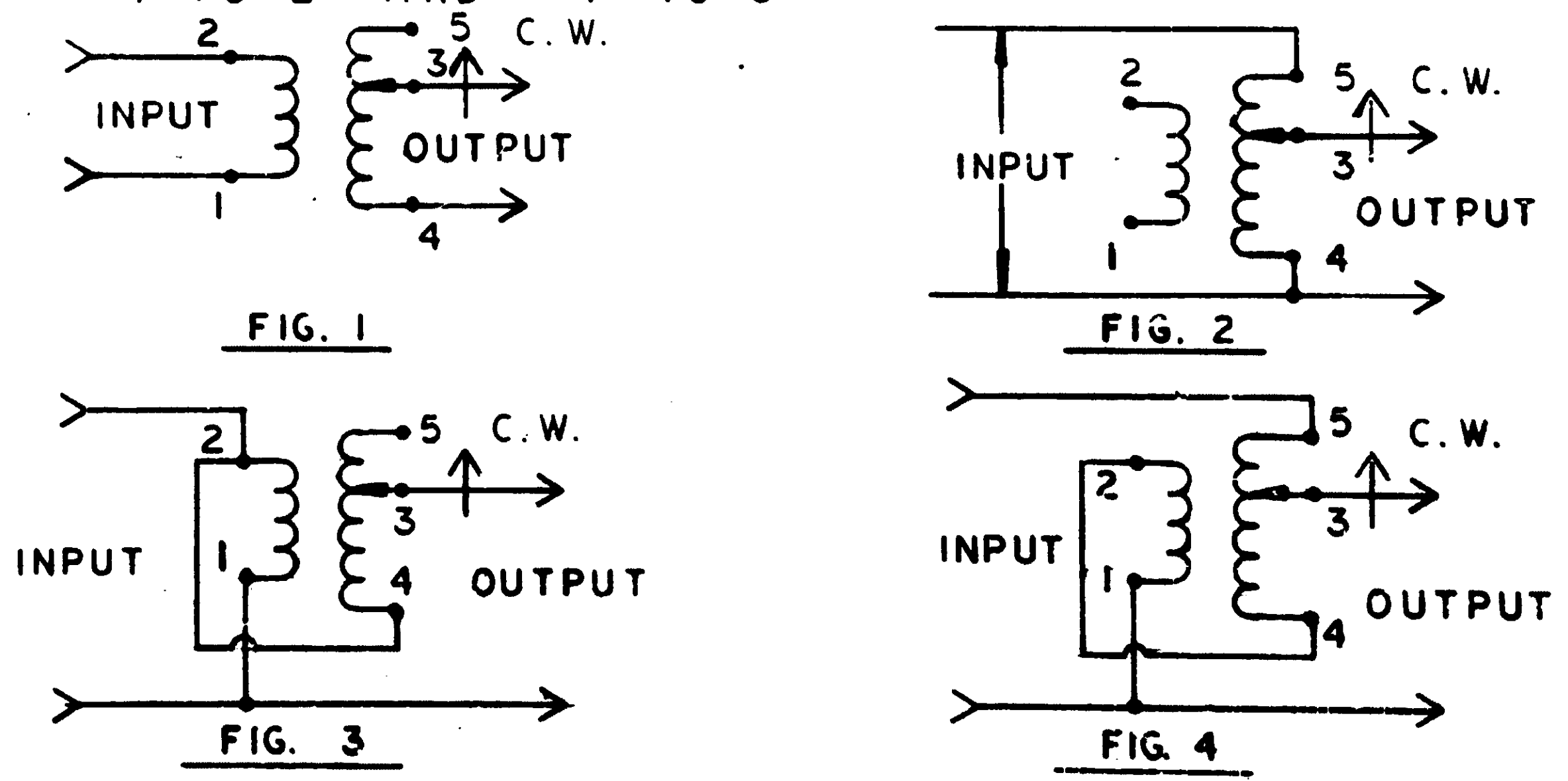
REVISIONS			
SYM.	E. C. N.	DATE	APPROVAL
A	10901	25 SEP 73	[Signature]
REVISED DIAGRAMS			
B	16180	13 JAN 84	[Signature]
REVISED TERMINAL BD. REVISED SCHEMATIC			



**SCHEMATIC**



ROTATION FOR CONNECTION  
SHOWN IS C.W. AS VIEWED FROM THE ROTOR END  
TO REVERSE ROTATION INTER CHANGE CONNECTIONS  
1 TO 2 AND 4 TO 5



SERIES	240	50/60	110-240	20	4.8	25 LBS.	FIG. 4
	VOLTAGE DOUBLER	120	50/60	120-260	20.0-9		
NON-ISOLATED	120	50/60	0-120	25	3.0		FIG. 2
ISOLATED	120	50/60	0-140	9	1.26		FIG. 1
CONNECTION	VOLTS	HZ	VOLTS	AMPS	MAX. KVA	NET WEIGHT	CIRCUIT DIAGRAMS
	INPUT		OUTPUT				

SPECIFICATIONS

UNLESS OTHERWISE SPECIFIED ALL DIMENSIONS IN INCHES TOLERANCE ON FRACTIONS DECIMALS ANGLES $\pm 1/32$ $\pm .005$ $\pm 1^\circ$	DO NOT SCALE DRAWING	TITLE	<b>STACO</b> DAYTON, OHIO DRAWING NUMBER <b>031-8882</b>
	DRAFTERMAN	SPECIFICATION CONTROL	
	DATE	DRAWING	
	CHECKER	TYPE J 901	
MATERIAL	ENGINEER	ISOLATED VARIABLE TRANSFORMER	
FINISH	APPROVAL	SCALE 1:2	WEIGHT

DWG. NO. 031-8882