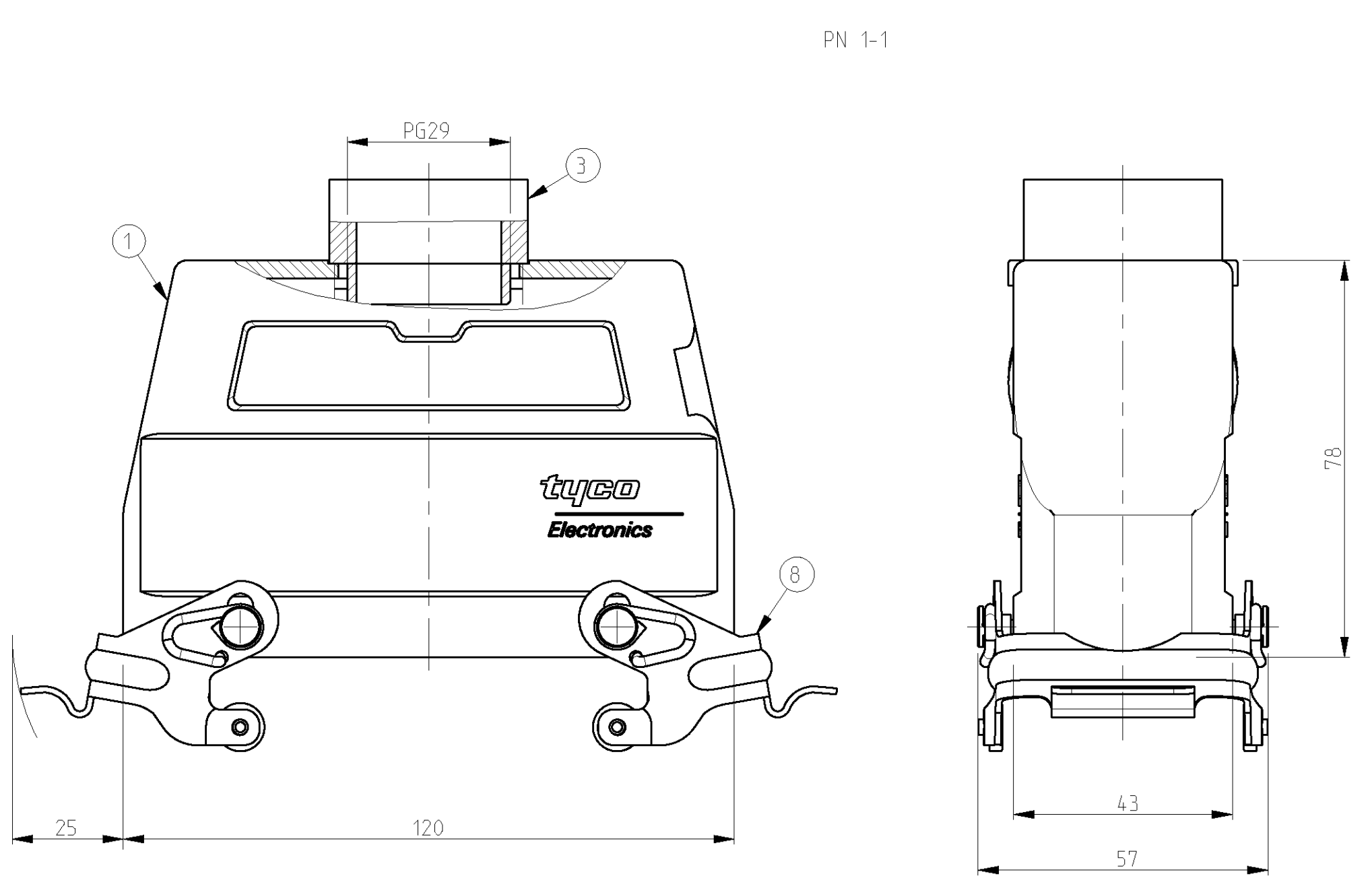
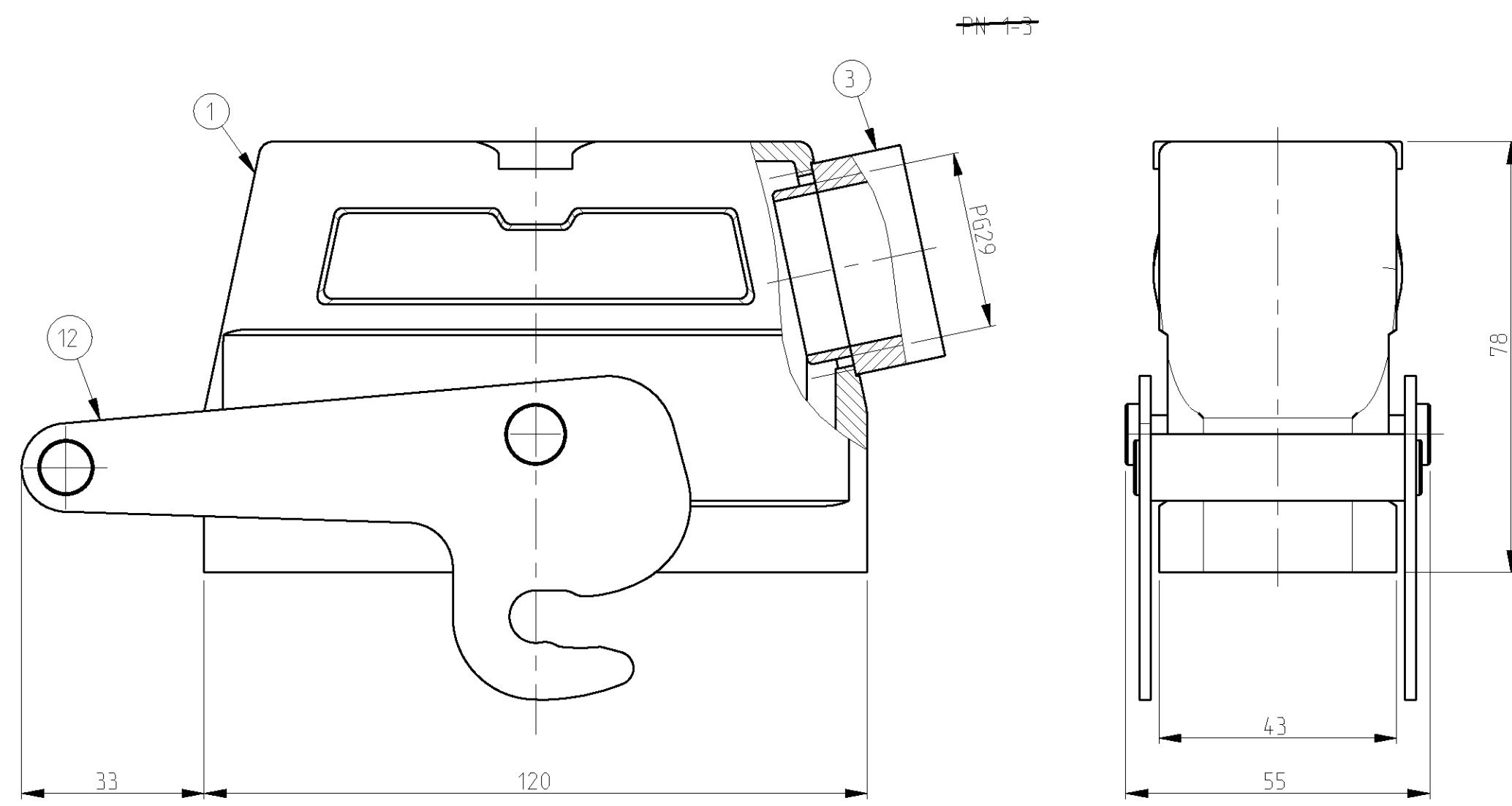
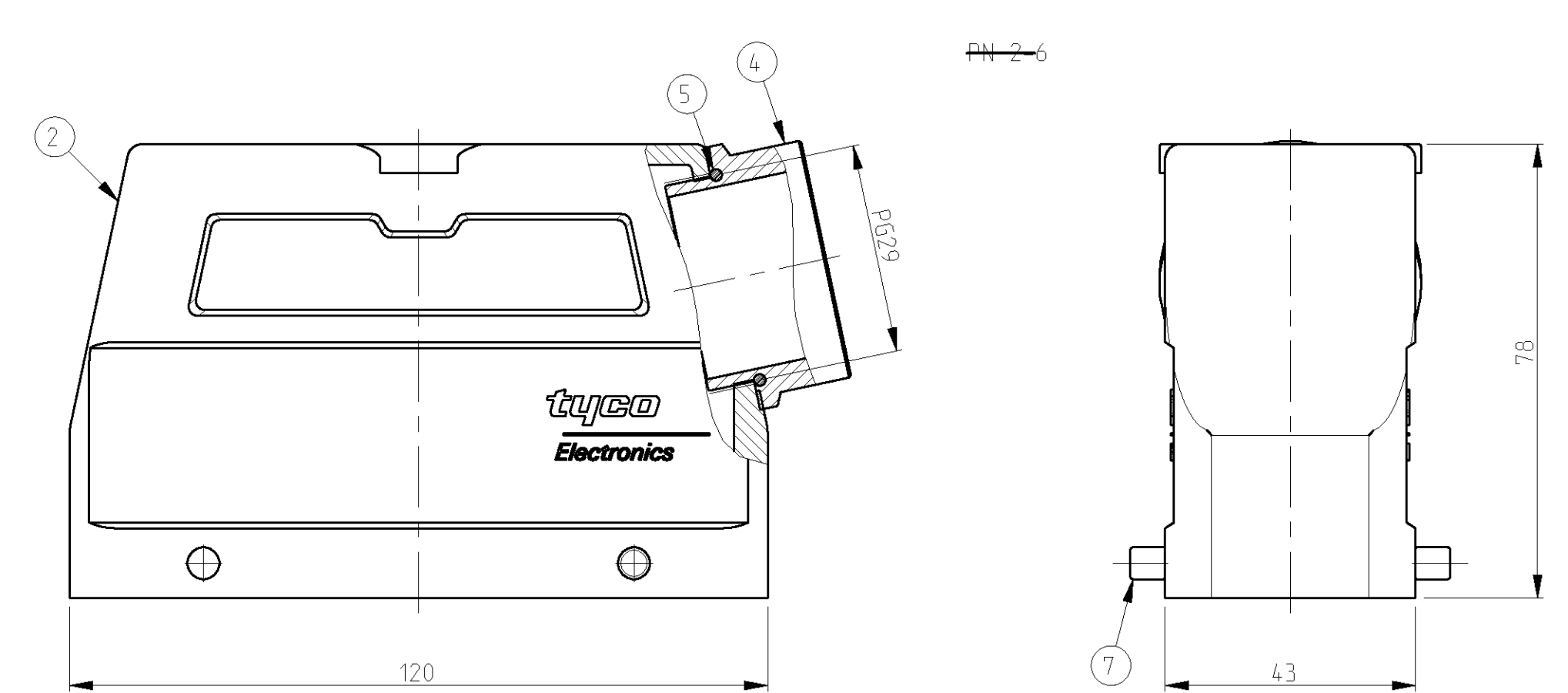
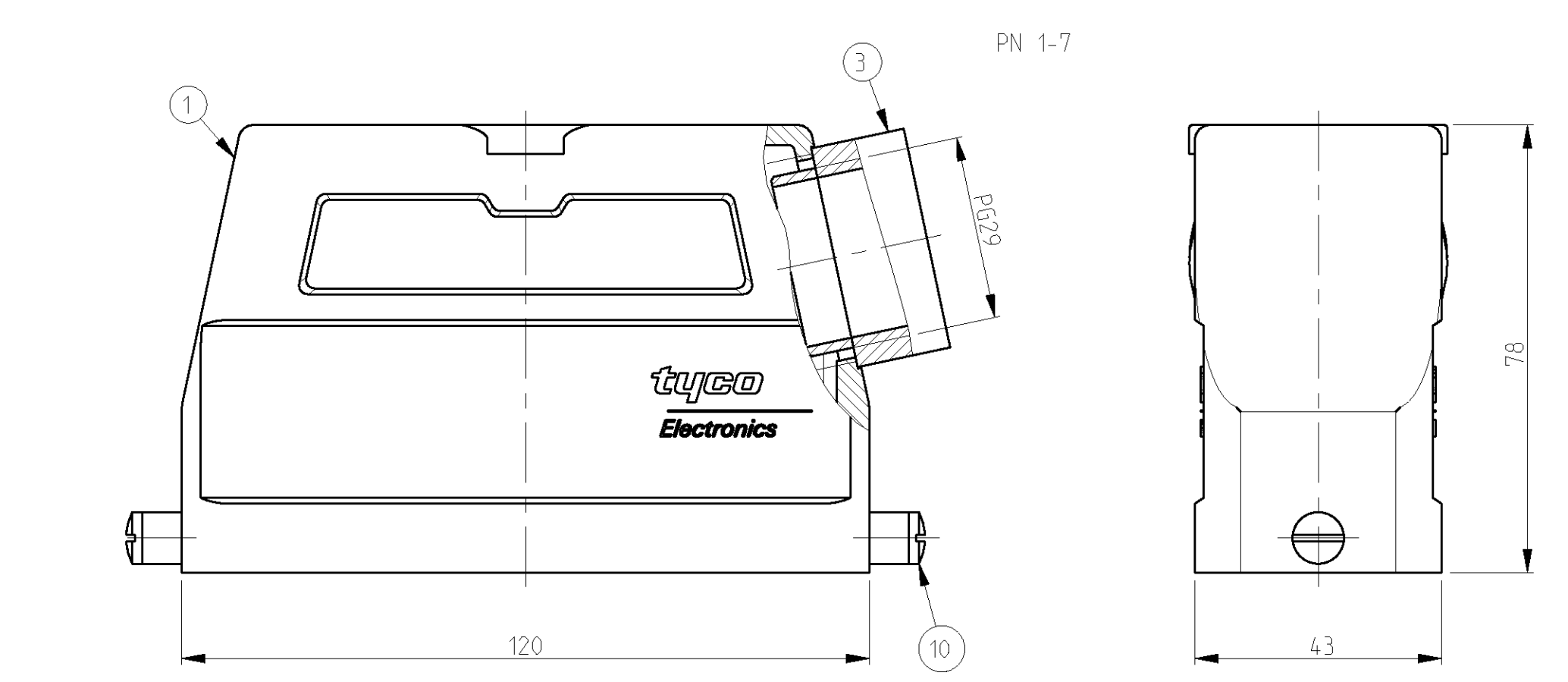
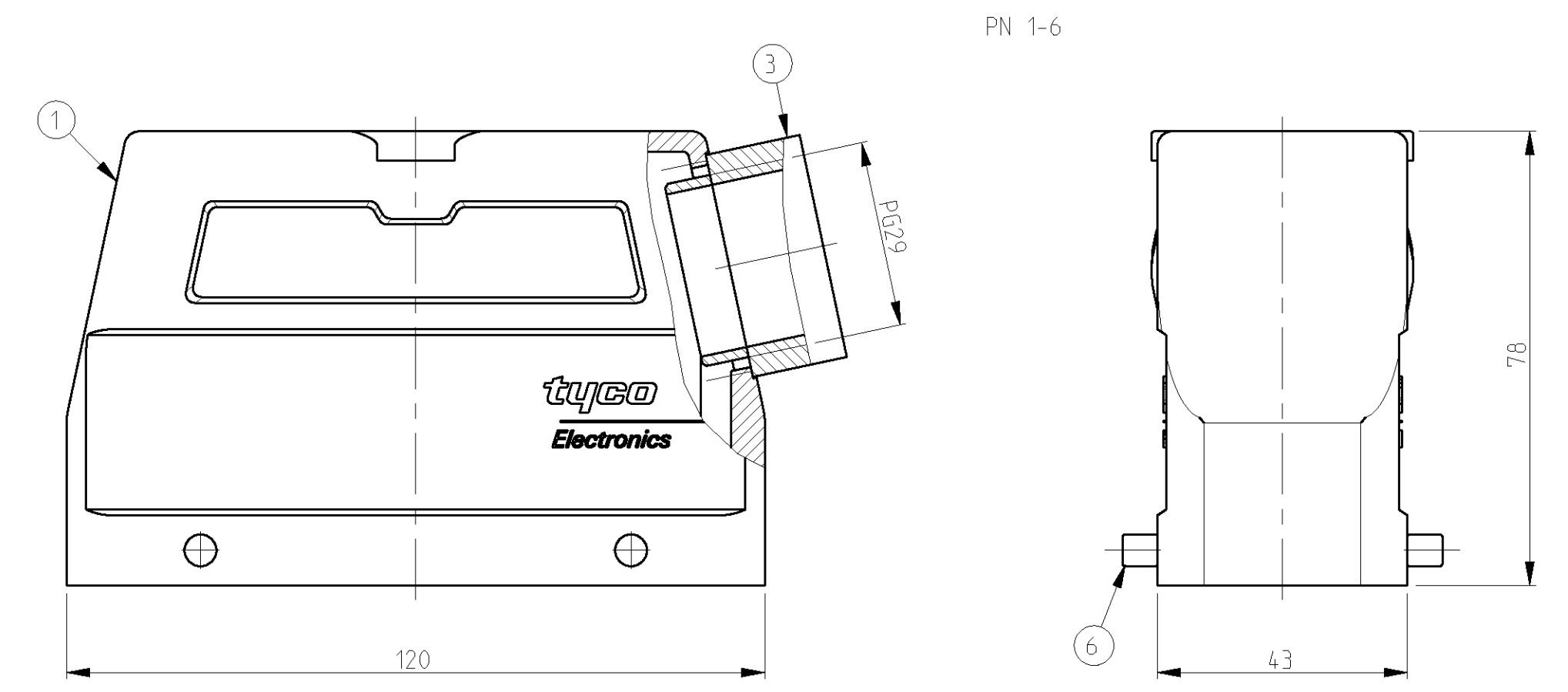
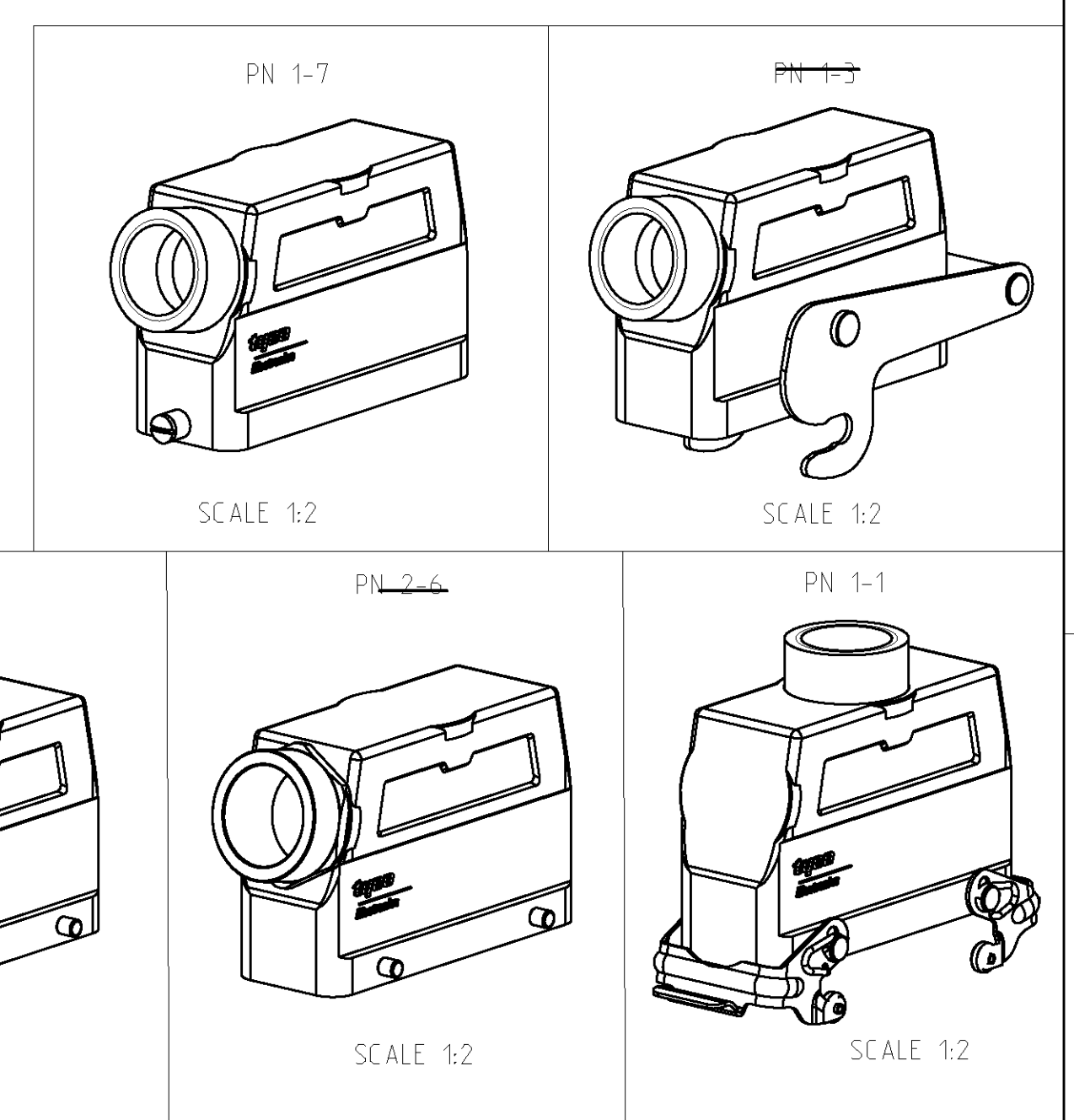


LOC	DIST	REV	DATE	BY	APPV
A1	-	A6	17.12.07	SP	TS
		A7	12JAN10	KK	AEG



- NOTES.
- Material:Housing:Aluminium Diecasting Alloy  
Seals:Neoprene
  - Surface-Powder Varnish Grey  
-Aluminium Oxide +  
Varnish Black
  - Varnish on the inside not necessary
  - Packaging  
Quantity 5 Pieces in a box
- OBsolete PARTS: OBSOLETE CIS STREAMLINING PER D.RENAUD/D.SINISI**



QTY	DESCRIPTION	MATERIAL	SURFACE	COLOR	ITEM NO	REMARKS							
2	ZB-Central clip	Stainless steel	-	Blue	13								
2	ZB-Central clip	Steel	Zinc plated	Blue	12								
2	LB-Clip bolt	Stainless steel	-	Blue	11								
2	LB-Clip bolt	Steel	Zinc plated	Blue	10								
2	VS-Side clip	Stainless steel	-	Blue	9								
2	VS-Side clip	Steel	Zinc plated	Blue	8								
4	VS-Clip bolt	Stainless steel	-	Blue	7								
4	VS-Clip bolt	Steel	Zinc plated	Blue	6								
1	O ring Pg29	Neoprene	-	Black	5								
1	Adaptor 6kt Pg29	Brass	Nickel plated	-	4								
1	Adaptor Pg29	Brass	Nickel plated	-	3								
1	Hood HD.64.Pg.1.29	Aluminium	Aluminium oxide	Black	2								
1	Hood HD.64.Pg.1.29	Aluminium	-	Grey	1								
6-6	2-3	1-3	2-7	1-7	2-1	1-12	6-1-6	DESCRIPTION	MATERIAL	SURFACE	COLOR	ITEM NO	REMARKS
ORDERING TEXT													
HD.64.Sts.1.29.Z													
HD.K.64.Sts.1.29.Z													
HD.64.Sts-VS.1.29.Z													
HD.K.64.Sts-VS.1.29.Z													
HD.64.Sts-GR.1.29.Z													
HD.K.64.Sts-GR.1.29.Z													
HD.Z.64.Sts-ZB.1.29.Z													
HD.K.Z.64.Sts-ZB.1.29.Z													
HD.64.Sts.1.29.Z.50													

TYCO ELECTRONICS CORPORATION, ALL RIGHTS RESERVED. THIS DRAWING IS UNPUBLISHED. RELEASED FOR PUBLICATION. BY TYCO ELECTRONICS CORPORATION, ALL RIGHTS RESERVED.

DATE: 11.11.1997  
 Gf: Gf  
 CHK: Krammer  
 APPV: -

Tyco Electronics AMP GmbH  
 0-53819,Neunkirchen,Germany

NAME: Hood  
 HD.64.STS.1.29.G

PRODUCT SPEC: 108-74001  
 108-74003  
 APPLICATION SPEC: 114-74001  
 114-74004

WEIGHT: -  
 CUSTOMER DRAW ING

SCALE: 1:1  
 SHEET: 1 OF 1  
 REV: A7