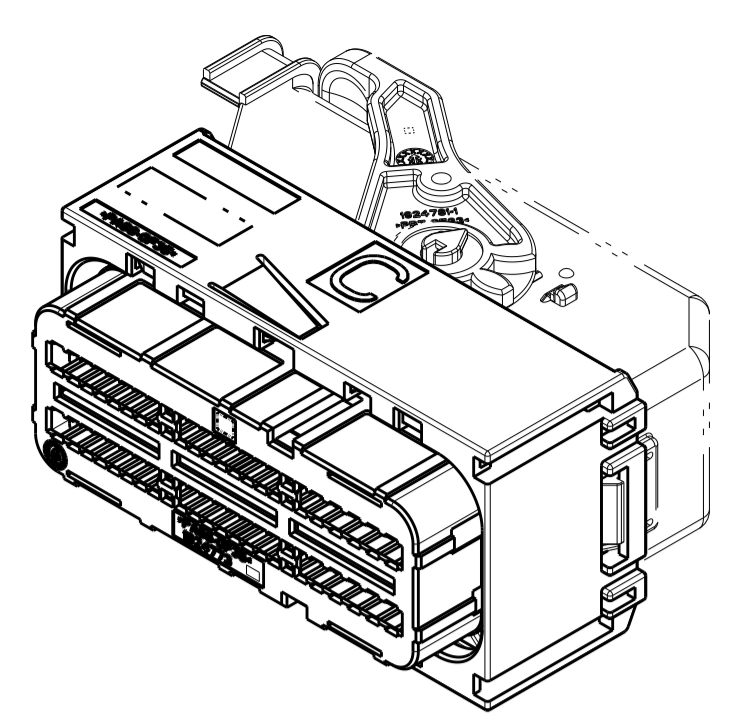
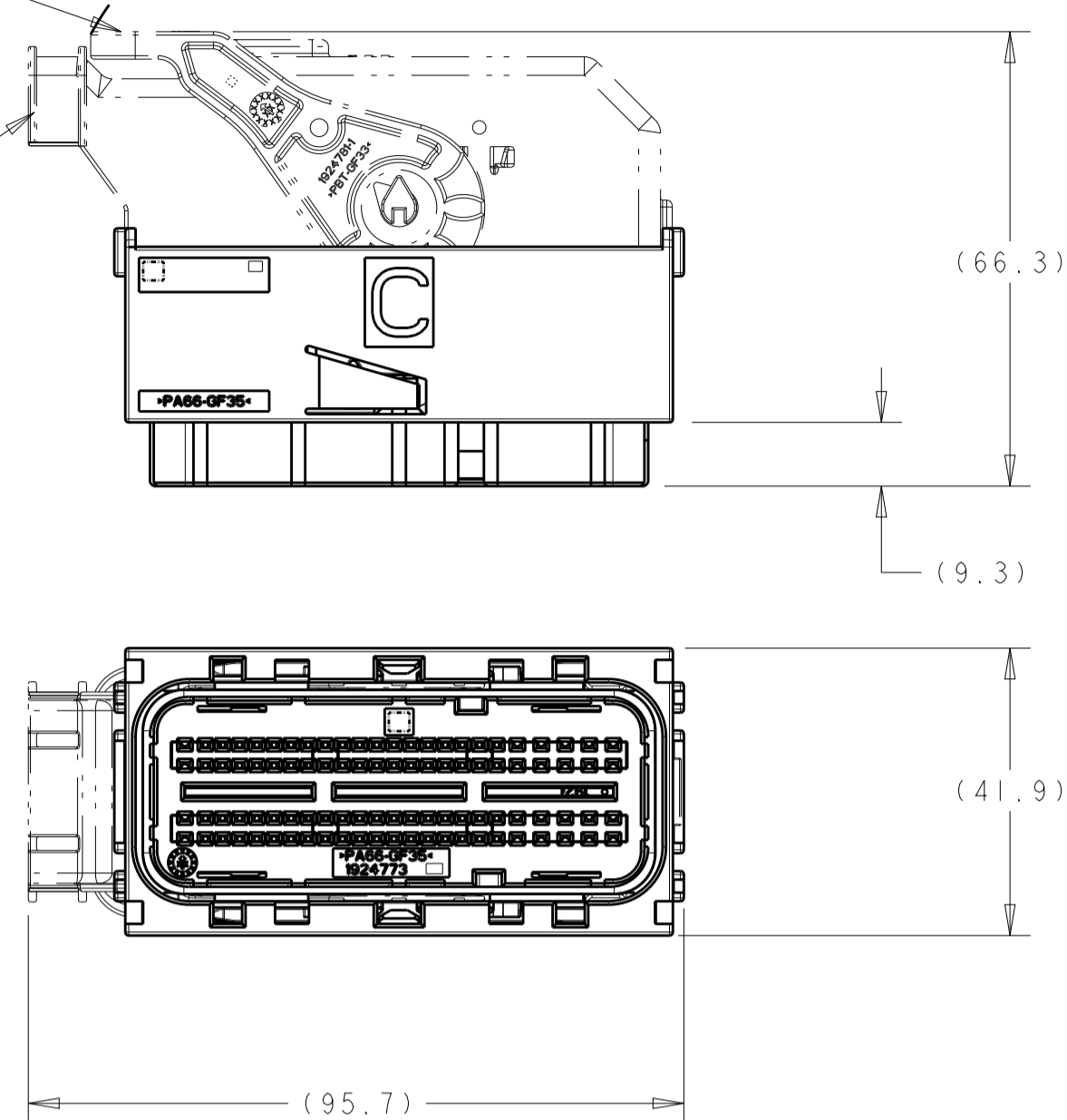


REVISIONS				
P.	LTN	DESCRIPTION	DATE	OWN APVD
B		REVISED PER ECO-16-005492	11APR2016	DLD WEM

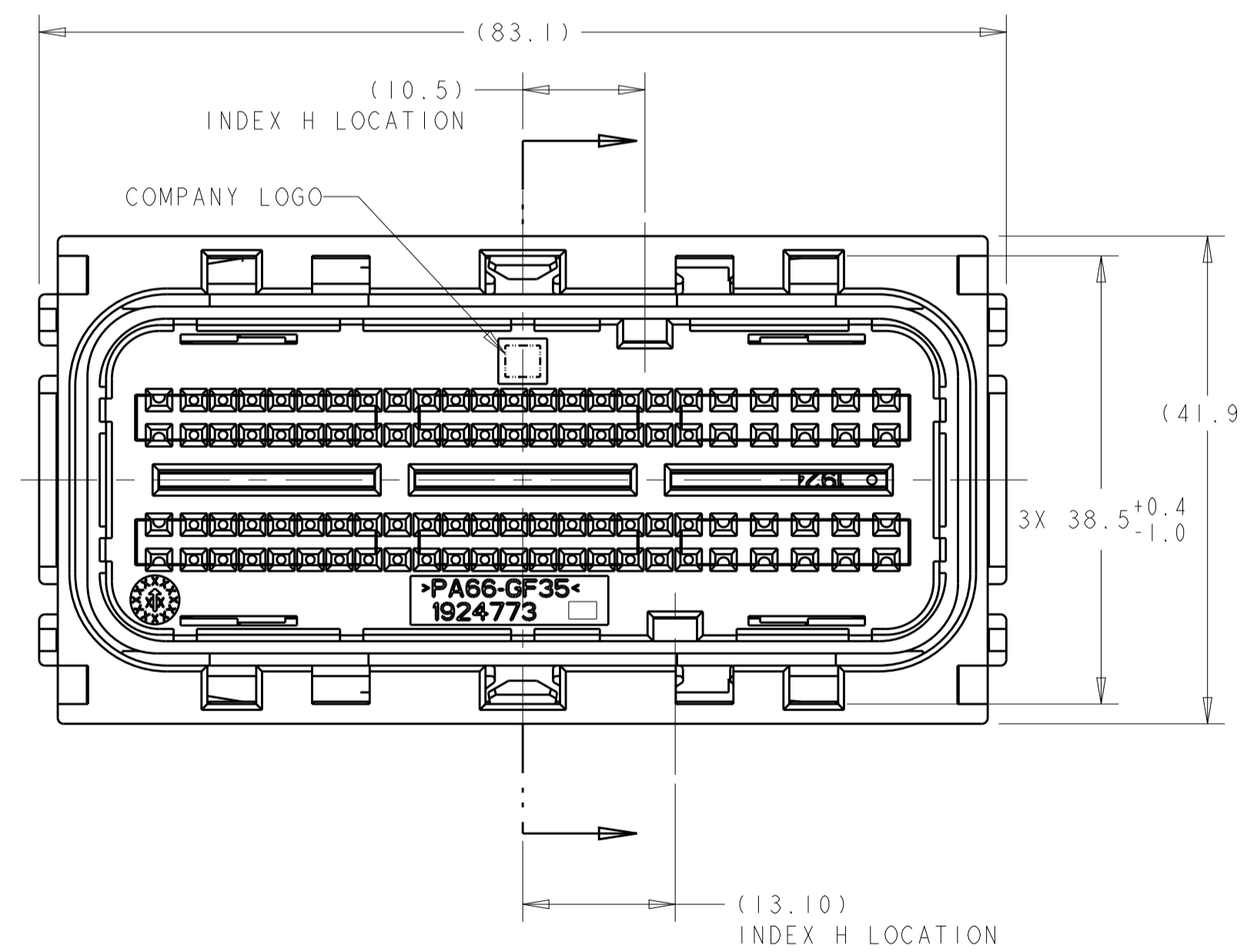
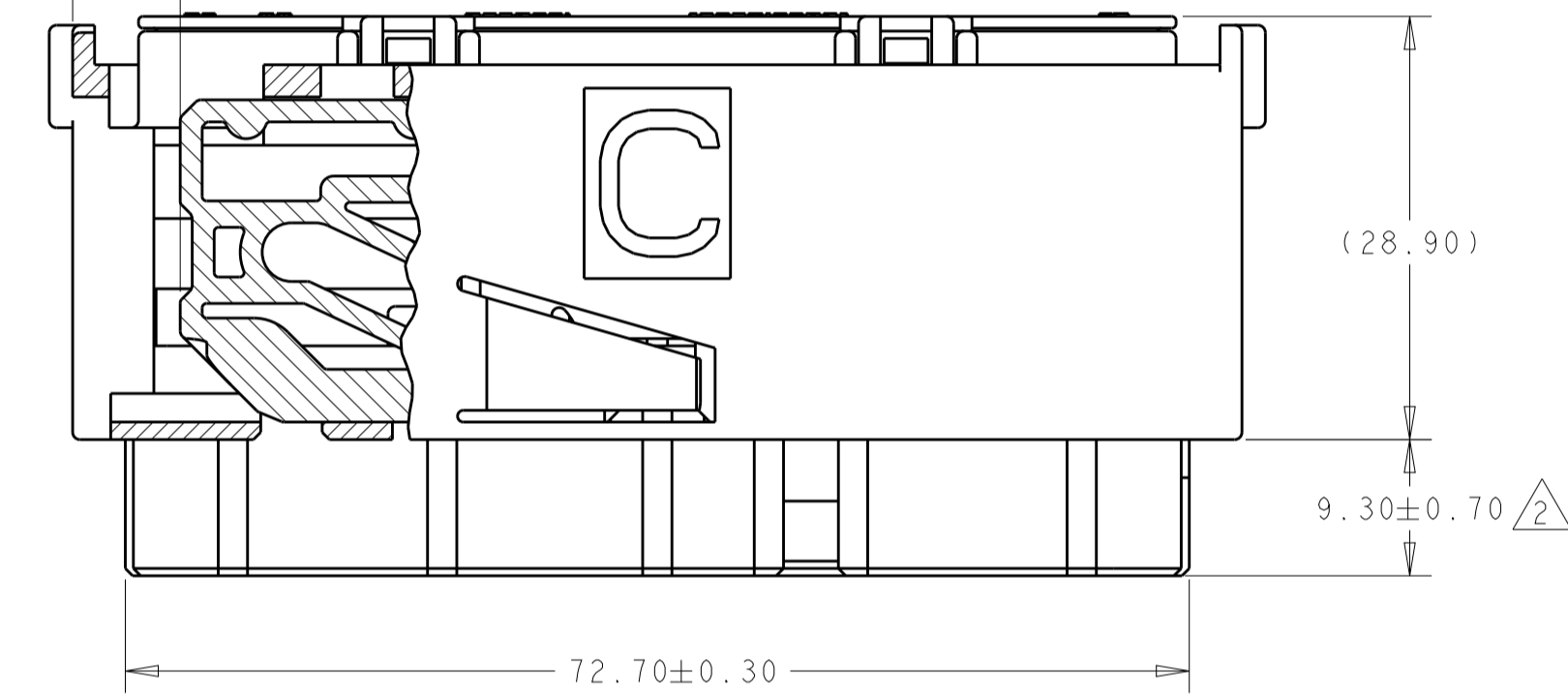
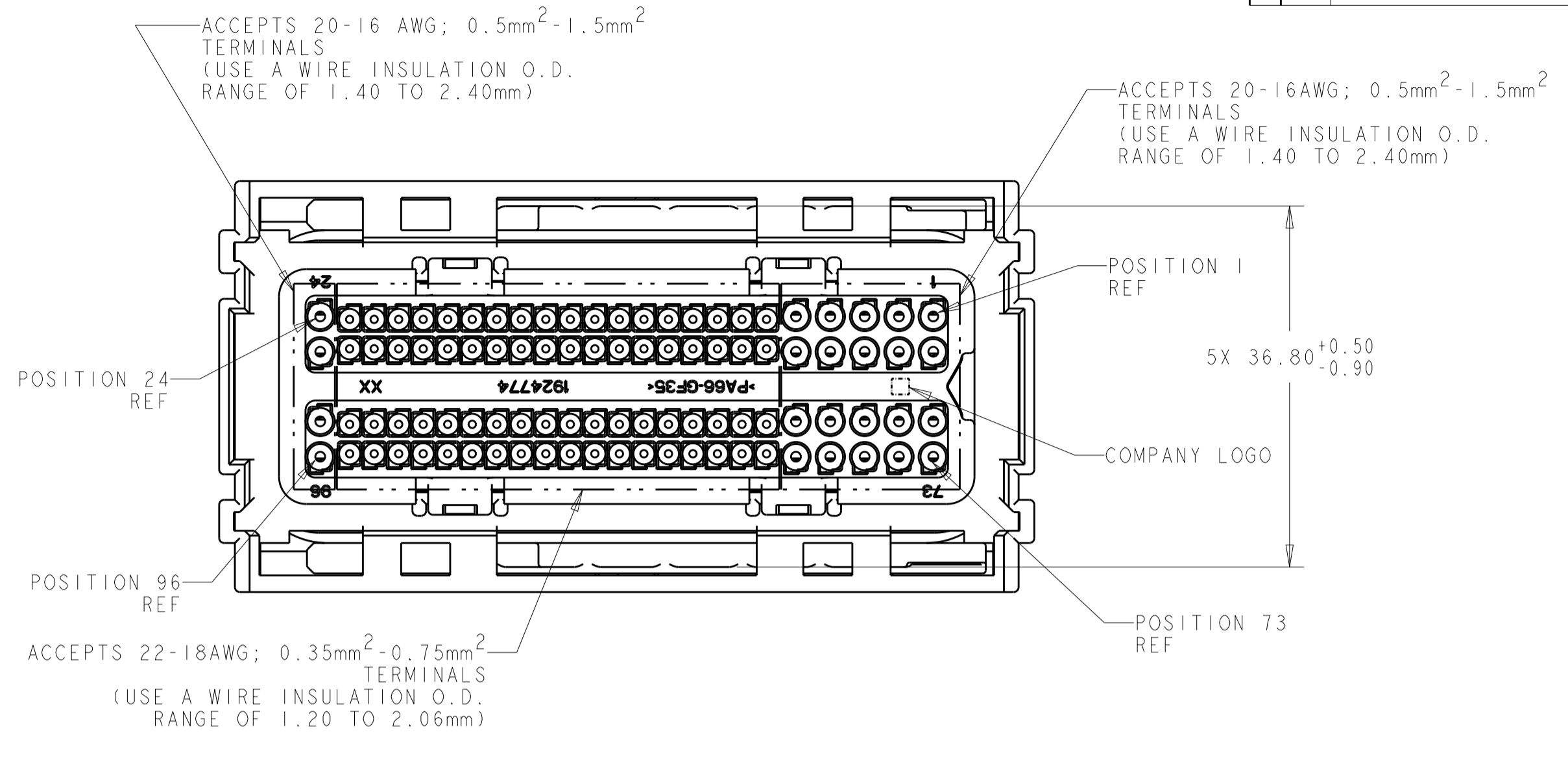
LEVER IN LOCKED POSITION

WIRE COVER ASSEMBLY PART NUMBER 1924779-1 MUST BE PURCHASED SEPARATELY



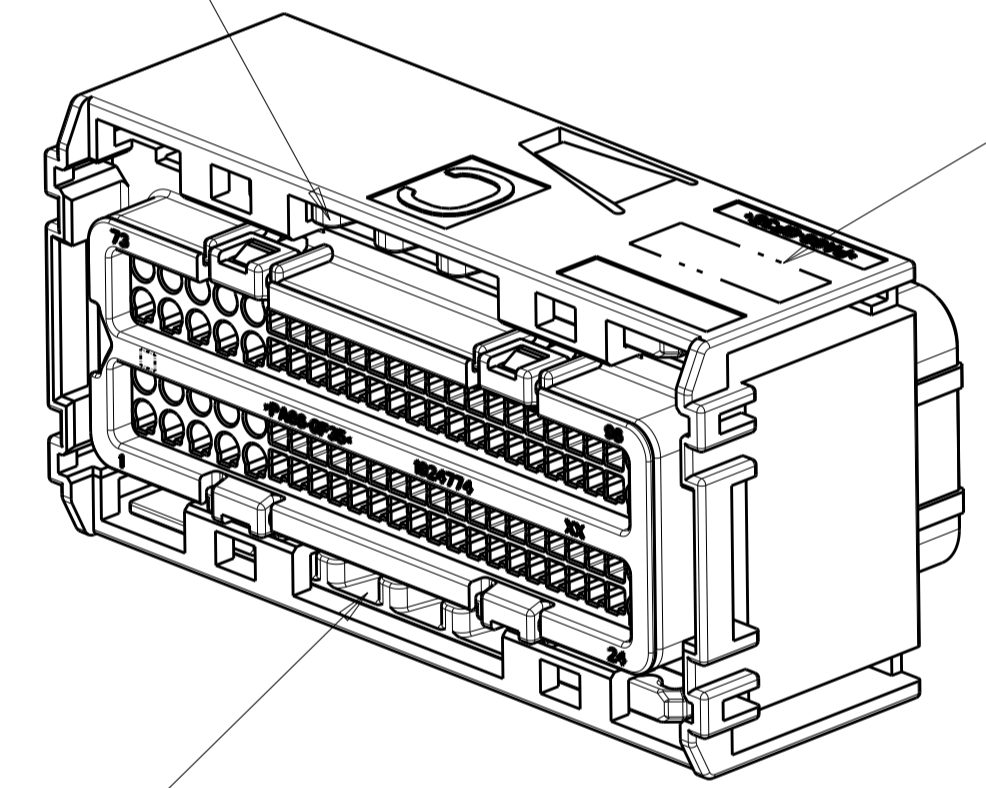
ISOMETRIC VIEW SCALE 1:1

LEFT EXIT PLUG ASSEMBLY SHOWN WITH OPTIONAL WIRE COVER ASSEMBLY (MUST BE PURCHASED SEPARATELY) SCALE 1:1



BETA SLIDE (GREEN) C SIDE OF PLUG HOUSING

ASSEMBLY PART NUMBER AND DATE CODE MARKING



ALPHA SLIDE (BLUE) D SIDE OF PLUG HOUSING

(METHOD FOR IDENTIFYING EXIT ORIENTATION)

BETA SLIDE PERIPHERAL SEAL

TPA

MATTE WIRE SEAL

SEAL COVER

ALPHA SLIDE

PLUG HOUSING

27.70±0.30

(5.20)

- 1. PLUG HOUSING AND SEAL COVER: NYLON 6/6, BLACK.
- 2. TPA: NYLON 6/6, COLOR - SEE TABLE.
- 3. MATTE WIRE SEAL: SILICONE, LIGHT BLUE.
- 4. PERIPHERAL SEAL: SILICONE, GREEN.
- 5. ALPHA SLIDE: NYLON 6/6, BLUE.
- 6. BETA SLIDE: NYLON 6/6, GREEN.

- 7. TPA SHOWN IN PRE-LATCHED, AS SHIPPED, POSITION.
- 8. TPA SHOWN IN CLOSED POSITION.
- 9. SEE TABLE ON SHEET 2 FOR SEAL COVER PIN OUT CONFIGURATION.

- 10. PLUG ASSEMBLY MATES WITH TE CONNECTIVITY INTERFACE DRAWING 1924771.INT, POLARIZATION A.
- 11. PLUG ASSEMBLY WILL ACCEPT THE FOLLOWING GET TERMINAL PART NUMBERS: 1393364-1 (GOLD 22AWG; 0.35mm²), 1393365-1 (GOLD 18-20AWG; 0.75mm²-0.5mm²), 1924878-1 (TIN/SILVER 22AWG; 0.35mm²), 1924879-1 (TIN/SILVER 18-20AWG; 0.75mm²-0.5mm²), 1924782-1 (TIN/SILVER 1.0mm²), 1924880-1 (TIN/SILVER 16AWG; 1.5mm²).

- 12. WIRE DRESS ASSEMBLY MUST BE INSTALLED ONTO PLUG ASSEMBLY WITH LEVER IN LOCKED POSITION.
- 13. APPLICATION SPEC'S: 408-10229, 408-10230.
- 14. FORCE TO SEAT TPA COMPONENT FROM PRE-SET TO LOCKED (FULLY LOADED W/ TERMINALS) TO BE 83N MAX.
- 15. FORCE TO MOVE TPA FROM FULLY LOCKED TO PRE-SET TO BE 115N MAX. FLAT BLADE SCREWDRIVER SUGGESTED FOR REMOVAL OF TPA.

ALL CLOSED	BLUE	H	9-2098866-9
SEE TABLE, SH 2	BLUE	H	2098866-3
SEE TABLE, SH 2	BLUE	H	2098866-2
ALL OPEN	BLUE	H	2098866-1
BLOCKED CIRCUITS	TPA COLOR	INDEX REF	PART NUMBER

THIS DRAWING IS A CONTROLLED DOCUMENT.

DL DRUMMOND 02NOV2010
 AJ VASINDER 02NOV2010
 AJ VASINDER 02NOV2010

TE Connectivity

PLUG ASSEMBLY, 96 POSITION, INDEX H - LEFT EXIT, SEALED, GPEC 111

SIZE: A1 CAGE CODE: 00779 DRAWING NO: 2098866

SCALE: 2:1 SHEET: 1 OF 2 REV: B

