

THIS DRAWING IS UNPUBLISHED. RELEASED FOR PUBLICATION
 © COPYRIGHT - BY TYCO ELECTRONICS CORPORATION. ALL RIGHTS RESERVED.

LOC	DIST	REVISIONS					
GP	00	P	LTR	DESCRIPTION	DATE	DWN	APVD
			B	REV PER ECO-06-019010	17AUG06	TK	DO

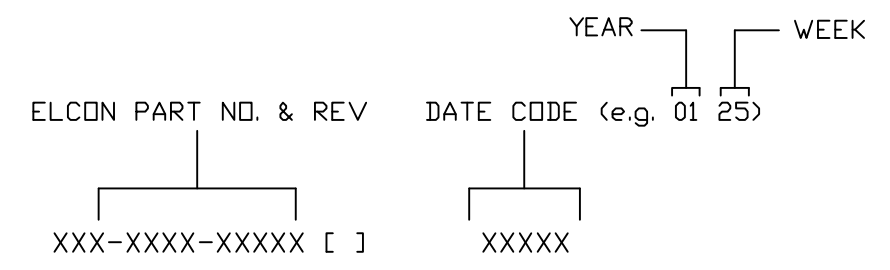
7 MODULE INFORMATION

CONNECTOR	TYCO PART NUMBER	ELCON PART NUMBER	CATALOG MODULE #	QTY	SIZE NO.	CONTACT QTY	MATING PIN	MAX. CURRENT (PER CONTACT)	CONTACT SPACING	VOLTAGE RATING*
SOCKET	6766005-1	278-1169-10200A	FP0200	4	8	4	1.25 X 7.00 [.049 X .276]	35 AMPERES	7.50 [2.95]	250 VOLTS
			FP0515	2	ACTIVATED STRAIGHT GUIDE PIN					
			FP0744	1	8	4	1.25 X 7.00 [.049 X .276]	35 AMPERES	7.50 [2.95]	250 VOLTS
					22	24	.64 [0.25] SQ.	3 AMPERES	2.50 [0.98]	125 VOLTS

*IAW IEC-950

NOTES: UNLESS OTHERWISE SPECIFIED.

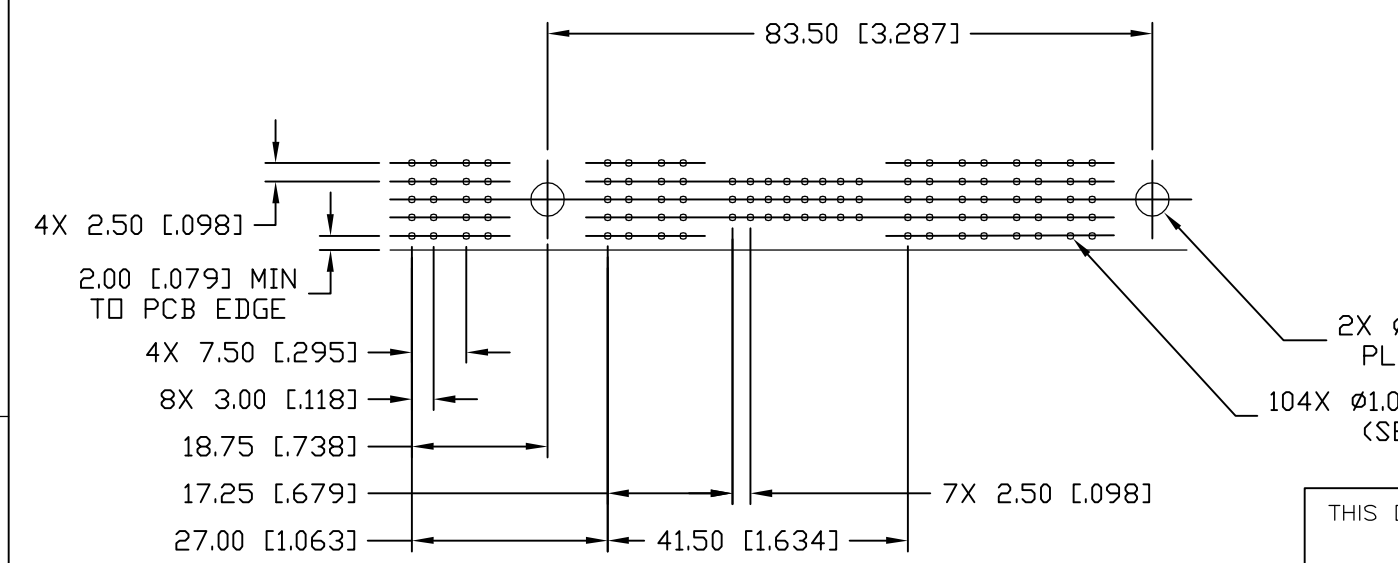
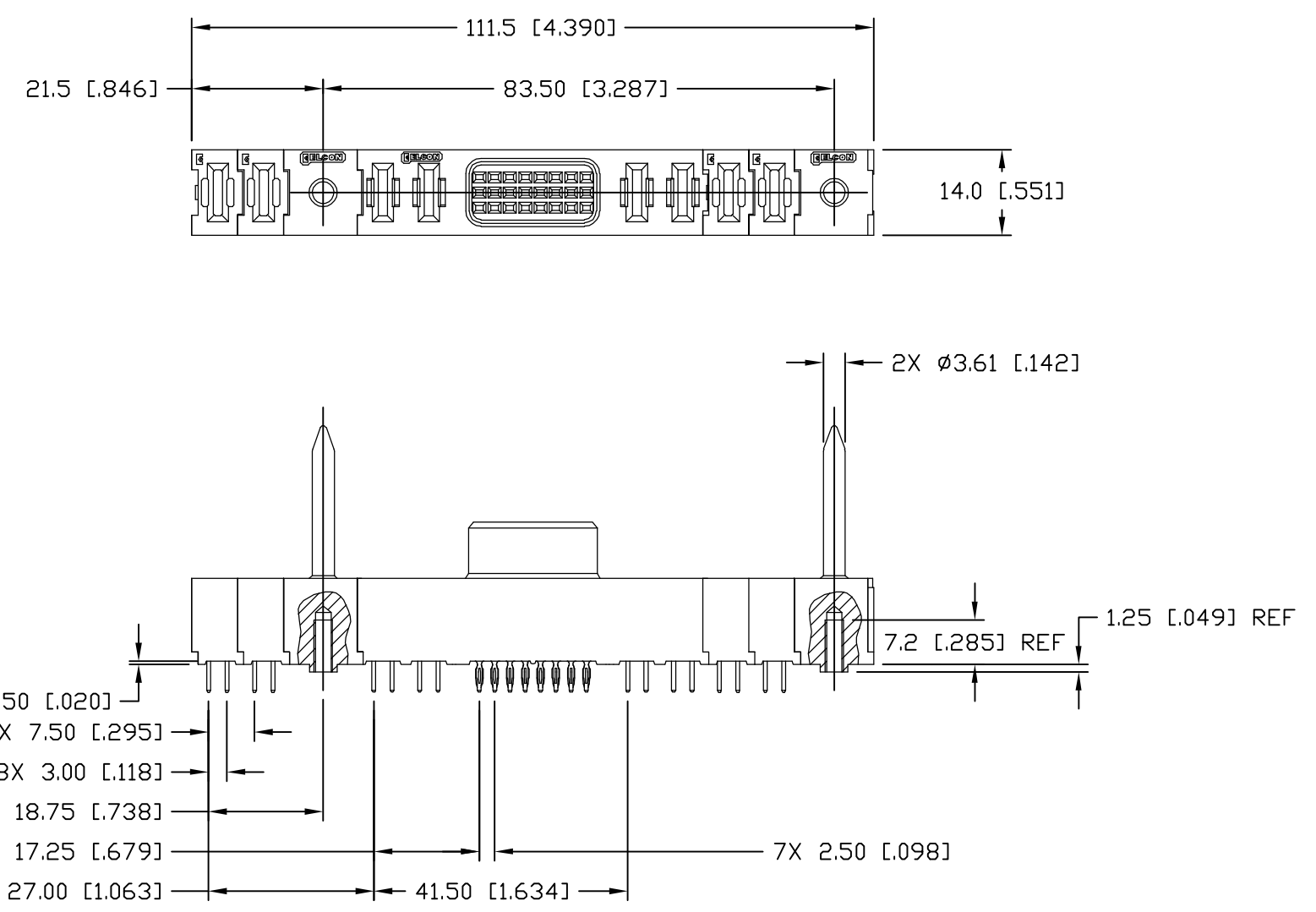
- PART NUMBER CHANGES AND OR DESIGN CHANGES AFFECTING ITEM INTERCHANGEABILITY REQUIRE PRIOR ELCON APPROVAL AND AUTHORIZATION BY REVISION TO THIS DRAWING.
- MATERIALS:
 INSULATORS: THERMOPLASTIC, GLASS REINFORCED, COLOR BLACK, UL94V-0 FLAMMABILITY RATED.
 SOLDER SIGNAL PIN: BRASS ALLOY.
 POWER CONTACTS: PHOSPHOR-BRONZE ALLOY, COPPER ALLOY.
 CROWN BANDS: BERYLLIUM-COPPER ALLOY.
 GUIDE PIN: BRASS-COPPER ALLOY.
- FINISHES:
 CONTACTS: GOLD PLATED PER TYCO SPEC 112-162-5, .00076 [0.00030] MIN THICK OVER NICKEL PER TYCO SPEC 112-25-2, .00130 [0.00050] MIN THICK.
 SOLDER TAILS: TIN PLATED PER LEAD FREE TYCO SPEC 112-65-1, MATT FINISH .0030 TO .0043 [0.00120 TO .000170] THICKNESS.
- RECOMMENDED PRESSING TOOL: FIX00310 FOR PN 278-1169-10200A. CONTACT ELCON FOR TOOLING QUOTE OR TO ORDER.
- ACTIVATED GUIDE PIN ACCEPTS M3 SCREW (USER SUPPLIED).
- ITEMS PROVIDED TO THIS SPECIFICATION TO BE PERMANENTLY IDENTIFIED PER THE FOLLOWING IDENTIFIER:



THIS DRAWING IS A CONTROLLED DOCUMENT.		DWN	M.C.CANT	15APR05	Tyco Electronics Corporation Harrisburg, PA 17105-3608			
DIMENSIONS:	TOLERANCES UNLESS OTHERWISE SPECIFIED:	CHK	-	-	NAME			
mm [INCHES]	0 PLC ± - 1 PLC ± .5 [.020] 2 PLC ± .25 [.010] 3 PLC ± - 4 PLC ± - ANGLES ± 5°	APVD	D.CHAU	03MAY05	SOCKET CONNECTOR, FLATPAQ STRAIGHT, COMPLIANT TAILS PN: 278-1169-10200A			
MATERIAL	FINISH	PRODUCT SPEC	-	-	SIZE	CAGE CODE	DRAWING NO	RESTRICTED TO
-	-	APPLICATION SPEC	-	-	A3	00779	C-6766005	-
CUSTOMER DRAWING					WEIGHT	-	SCALE	1:1
					SHEET		1 OF 3	REV
							B	

THIS DRAWING IS UNPUBLISHED. RELEASED FOR PUBLICATION
 © COPYRIGHT BY TYCO ELECTRONICS CORPORATION. ALL RIGHTS RESERVED.

LOC	DIST	REVISIONS					
GP	00	P	LTR	DESCRIPTION	DATE	DWN	APVD
				SEE SHEET 1			



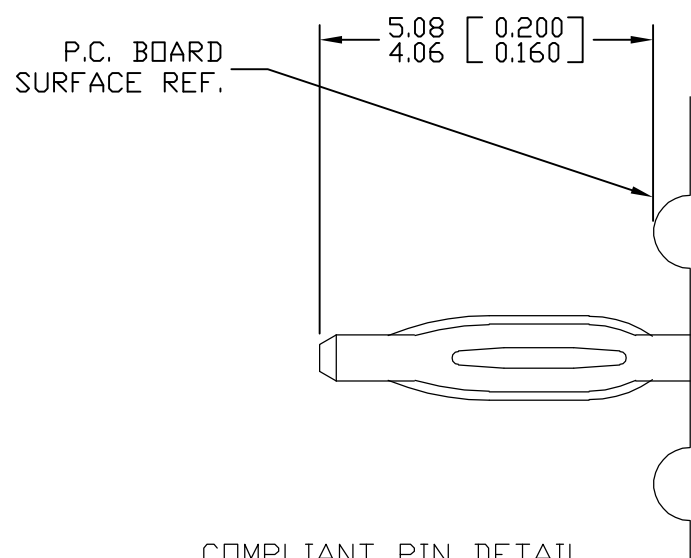
PRINTED CIRCUIT LAYOUT

2X Ø4.75 [Ø0.187] PLATED THRU
 104X Ø1.02 [Ø0.040] THRU (SEE SHT 3)

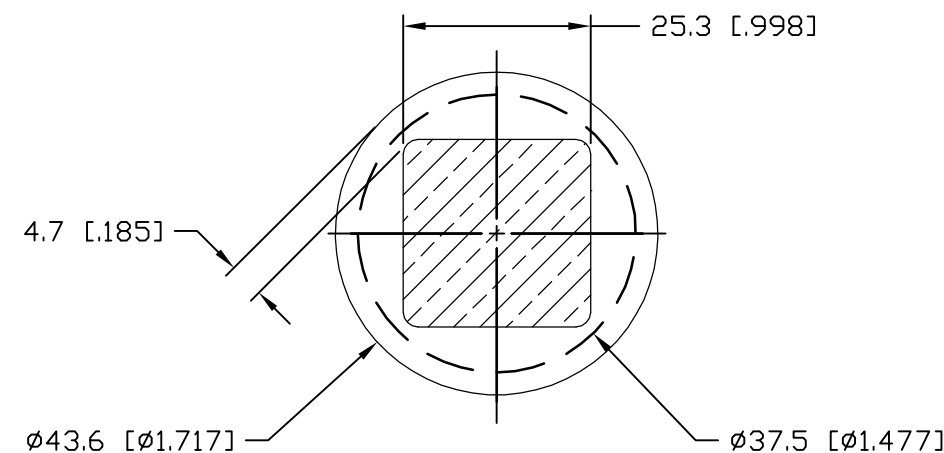
THIS DRAWING IS A CONTROLLED DOCUMENT.		DWN	M.C.CANT	15APR05	tyco Tyco Electronics Corporation		
		CHK	-	-	Electronics Harrisburg, PA 17105-3608		
DIMENSIONS: mm [INCHES]		APVD	D.CHAU	03MAY05	NAME		
TOLERANCES UNLESS OTHERWISE SPECIFIED:		PRODUCT SPEC	SOCKET CONNECTOR, FLATPAQ				
0 PLC ± -		APPLICATION SPEC	STRAIGHT, COMPLIANT TAILS				
1 PLC ± .5 [0.020]		WEIGHT	PN: 278-1169-10200A				
2 PLC ± .25 [0.010]		SIZE	A3	CAGE CODE	00779	DRAWING NO	RESTRICTED TO
3 PLC ± -		FINISH	C-6766005				
4 PLC ± -		CUSTOMER DRAWING					
ANGLES ± -		SCALE	1:1		SHEET	2 OF 3	
MATERIAL -		REV	B				

THIS DRAWING IS UNPUBLISHED. RELEASED FOR PUBLICATION
 © COPYRIGHT BY TYCO ELECTRONICS CORPORATION. ALL RIGHTS RESERVED.

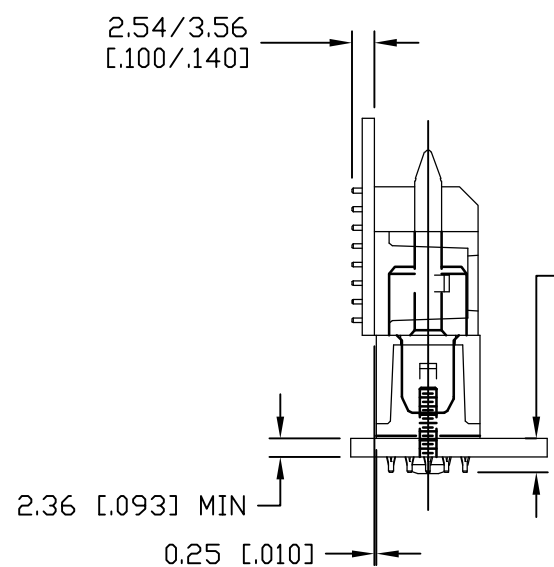
LOC	DIST	REVISIONS					
GP	00	P	LTR	DESCRIPTION	DATE	DWN	APVD
		-		SEE SHEET 1	-	-	-



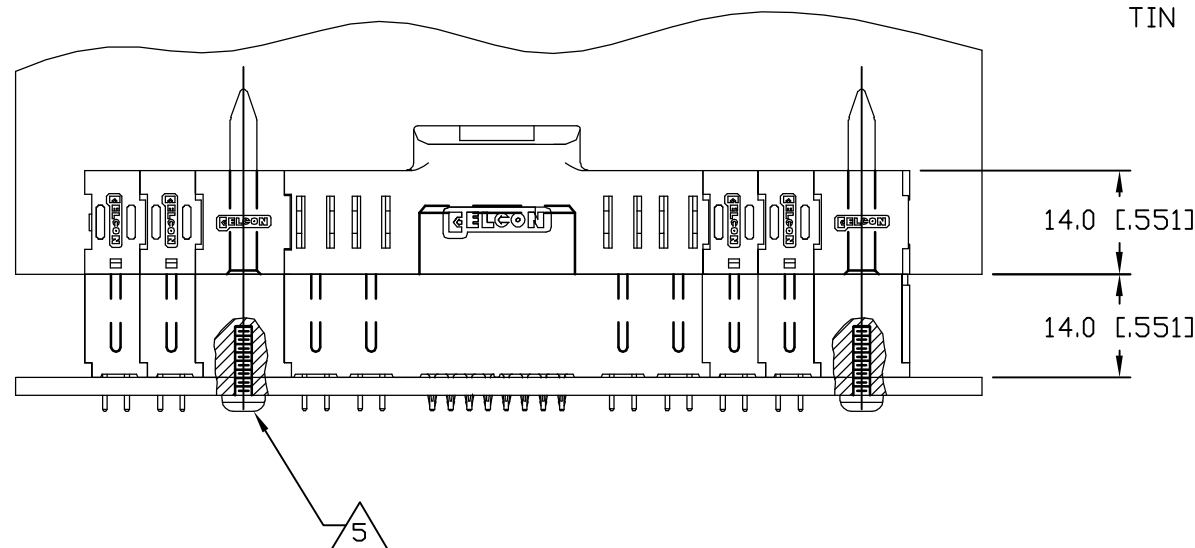
COMPLIANT PIN DETAIL
 SCALE: 10 : 1
 INSERTION/EXTRACTION FORCES
 MAXIMUM PUSH IN: 133.3N PER PIN [30 LBS]
 MINIMUM PUSH OUT: 44.4N PER PIN [10 LBS]



SOLDER TERMINATION AREA
 SCALE: 40 : 1
 RECOMMENDED PRINTED CIRCUIT HOLE
 SOLDER OR COMPLIANT PRESS FIT
 FINISHED HOLE: $\phi 1.02$ [0.040] ± 0.08 [0.003]
 DRILLED HOLE: $\phi 1.15$ [0.0453] ± 0.13 [0.005]
 COPPER PLATE: .025 [0.0010] MINIMUM (PER SURFACE)
 TIN PLATE: .008 [0.0003] MINIMUM (PER SURFACE)



4.06/5.08 [0.160/.200]



MATED CONDITION

THIS DRAWING IS A CONTROLLED DOCUMENT.		DWN M.C.CANT	15APR05	tyco Tyco Electronics Corporation	
DIMENSIONS: mm [INCHES]		CHK -	-	Electronics Harrisburg, PA 17105-3608	
TOLERANCES UNLESS OTHERWISE SPECIFIED:		APVD D.CHAU	03MAY05	NAME SOCKET CONNECTOR, FLATPAQ	
0 PLC $\pm -$		PRODUCT SPEC -	-	STRAIGHT, COMPLIANT TAILS	
1 PLC $\pm .5$ [0.020]		APPLICATION SPEC -	-	PN: 278-1169-10200A	
2 PLC $\pm .25$ [0.010]		SIZE	CAGE CODE	DRAWING NO	RESTRICTED TO
3 PLC $\pm -$		-	-	A3	00779
4 PLC $\pm -$		WEIGHT	-	C=	6766005
ANGLES $\pm -$		CUSTOMER DRAWING		SCALE	1:1
FINISH -		SHEET		3 OF 3	REV
					B