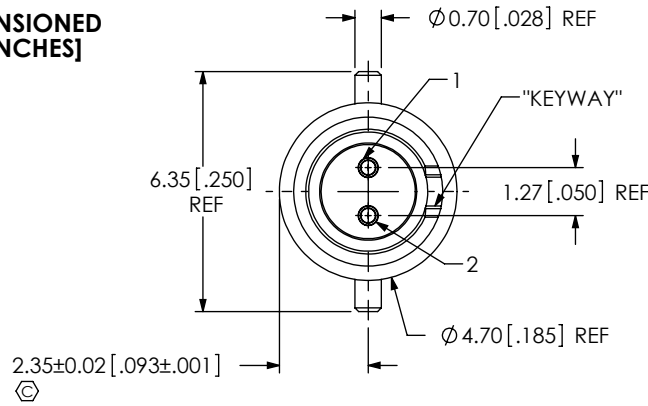


DESIGNED & DIMENSIONED
IN MILLIMETERS [INCHES]

DO NOT
SCALE FROM
THIS PRINT



CJT-T-P-XX-ST-TH1

INTERFACE
-J: JACK

GENDER
-T: TERMINAL

TYPE
-P: PCB

TERMINATION
-TH1: THROUGH HOLE

ORIENTATION
-ST: STRAIGHT

PLATING SPECIFICATION
-HH: HEAVY GOLD / HEAVY GOLD
30µ" Au / 50µ" Ni MIN ON PIN
30µ" Au / 50µ" Ni MIN ON OUTER CONTACT
-GF: GOLD / FLASH GOLD
10µ" Au / 50µ" Ni MIN ON PIN
3µ" Au / 50µ" Ni MIN ON OUTER CONTACT
(SEE TABLE 1)

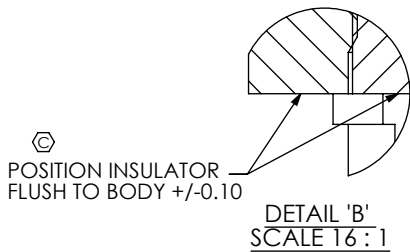
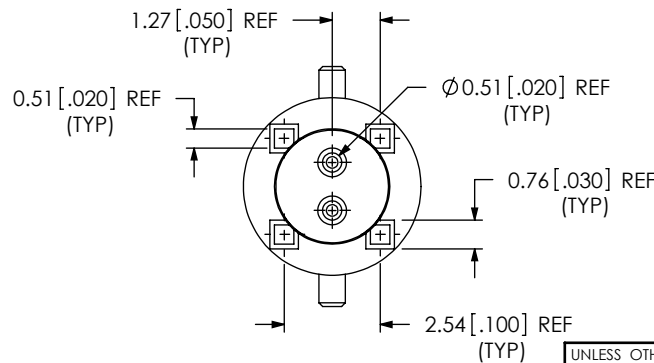
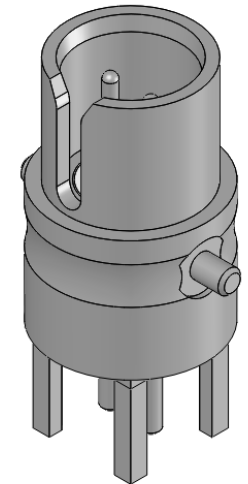
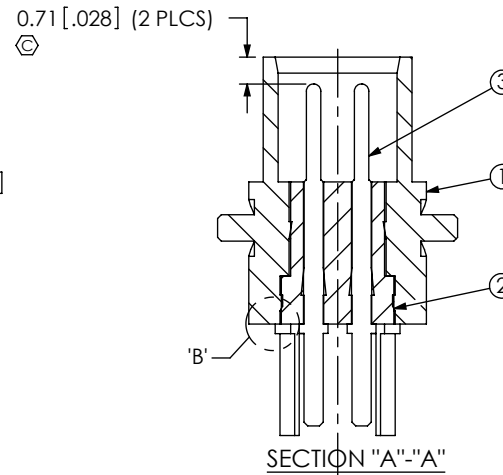
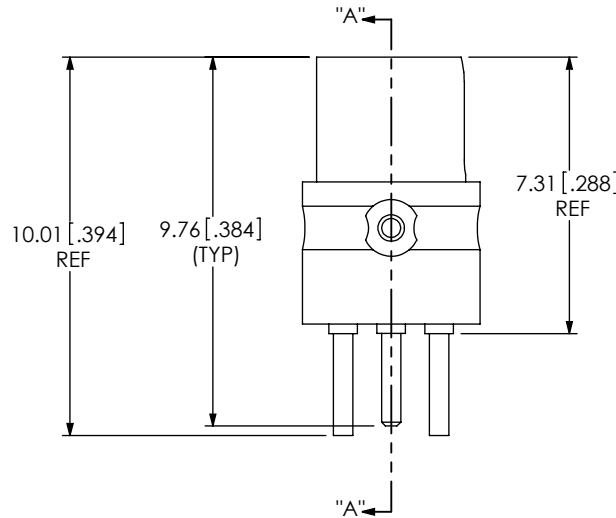


TABLE 1

ITEM	COMPONENT	-HH	-GF	QTY
1	SHELL	CJT-T-P-H-ST-TH1-SHL	CJT-T-P-F-ST-TH1-SHL	1
2	INSULATOR	CJT-INS-001		2
3	CONTACT	CJT-T-P-H-ST-TH1-PIN	CJT-T-P-G-ST-TH1-PIN	1

NOTES:

- ① REPRESENTS A CRITICAL DIMENSION.
- MINIMUM PUSHOUT FORCE FOR CENTER CONTACT: 7 N [1.57 LB].
INSULATOR: 20 N [4.5 LB].
- PRODUCT TO BE PACKAGED PER PACKAGING STANDARD CO-HD-WI-3040-M.
TRAY: TY-SMA001-1,
COVER: TY-SMA001-2.

UNLESS OTHERWISE SPECIFIED,
DIMENSIONS ARE IN MILLIMETERS.

TOLERANCES ARE:

DECIMALS ANGLES
X.X: ±0.3 [0.1] 5°
X.XX: ±0.13 [0.05]
X.XXX: ±0.051 [0.020]

PROPRIETARY NOTE

THIS DOCUMENT CONTAINS INFORMATION
CONFIDENTIAL AND PROPRIETARY TO
SAMTEC, INC. AND SHALL NOT BE REPRODUCED
OR TRANSFERRED TO OTHER DOCUMENTS OR
DISCLOSED TO OTHERS OR USED FOR ANY
PURPOSE OTHER THAN THAT WHICH IT WAS
OBTAINED WITHOUT THE EXPRESSED WRITTEN
CONSENT OF SAMTEC, INC.



520 PARK EAST BLVD, NEW ALBANY, IN 47150
PHONE: 812-944-6733 FAX: 812-948-5047
e-Mail: info@SAMTEC.com code 55322

MATERIAL: DO NOT SCALE DRAWING SHEET SCALE: 5:1

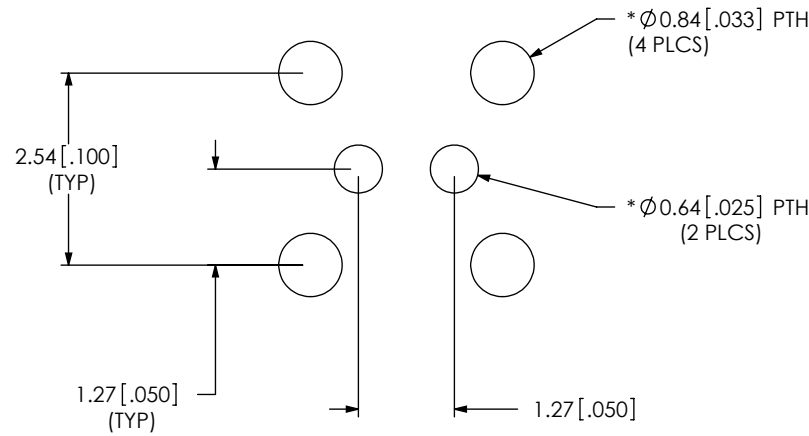
CONTACT: PHOS BRONZE
OTHER METAL: BRASS
DIELECTRIC: PTFE

DESCRIPTION:
STRAIGHT CIRCULAR JACK TWINAX

DWG. NO.
CJT-T-P-XX-ST-TH1

BY: ALVIN W 12/03/2010 SHEET 1 OF 2

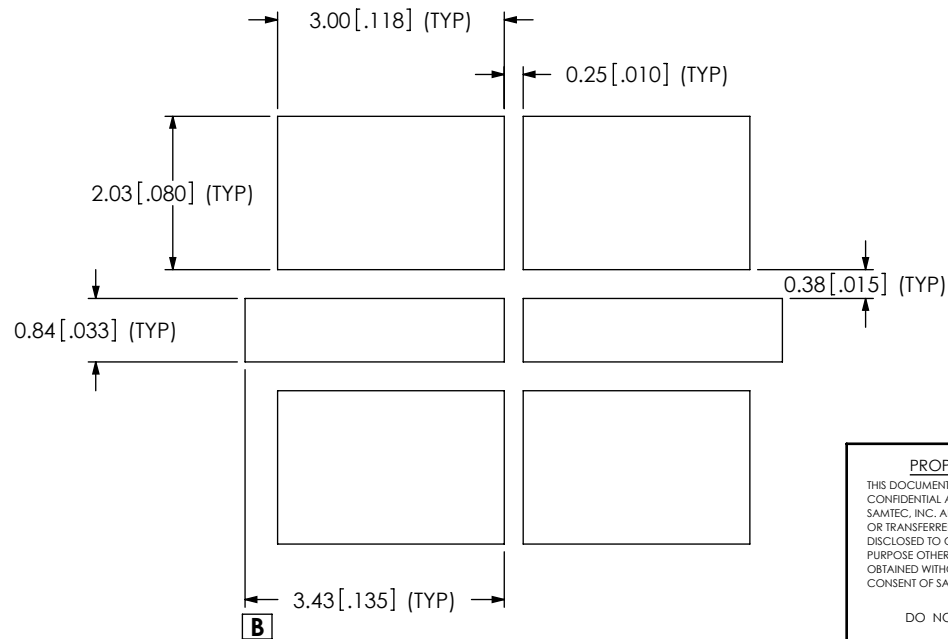
RECOMMENDED PCB LAYOUT



* TO BE SOLDERED USING PASTE-IN-HOLE TECHNOLOGY.

RECOMMENDED STENCIL LAYOUT

NOTE: STENCIL TO BE 0.127 [.005] THICK



PROPRIETARY NOTE
 THIS DOCUMENT CONTAINS INFORMATION CONFIDENTIAL AND PROPRIETARY TO SAMTEC, INC. AND SHALL NOT BE REPRODUCED OR TRANSFERRED TO OTHER DOCUMENTS OR DISCLOSED TO OTHERS OR USED FOR ANY PURPOSE OTHER THAN THAT WHICH IT WAS OBTAINED WITHOUT THE EXPRESSED WRITTEN CONSENT OF SAMTEC, INC.

DO NOT SCALE DRAWING

SHEET SCALE: 10:1



520 PARK EAST BLVD, NEW ALBANY, IN 47150
 PHONE: 812-944-6733 FAX: 812-948-5047
 e-Mail info@SAMTEC.com code 55322

DESCRIPTION:
STRAIGHT CIRCULAR JACK TWINAX

DWG. NO.
CJT-T-P-XX-ST-TH1

BY: ALVIN W 12/03/2010 SHEET 2 OF 2