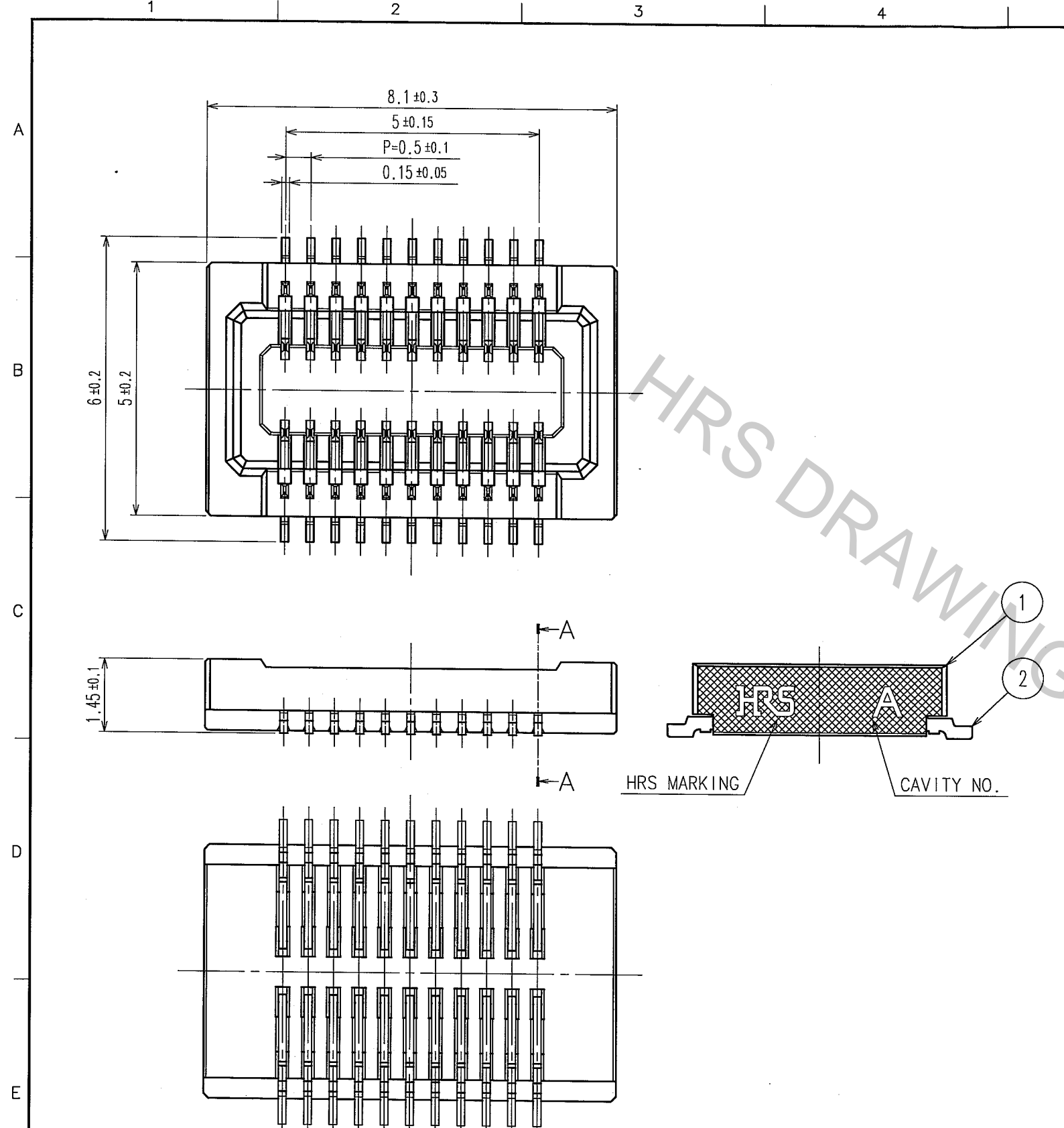


Apr.1.2017 Copyright 2017 HIROSE ELECTRIC CO., LTD. All Rights Reserved.



COUNT	DESCRIPTION OF REVISIONS	BY	CHKD	DATE	COUNT	DESCRIPTION OF REVISIONS	BY	CHKD	DATE
△					△				
△					△				
△					△				

Fig.1 : RECOMMENDED PATTERN

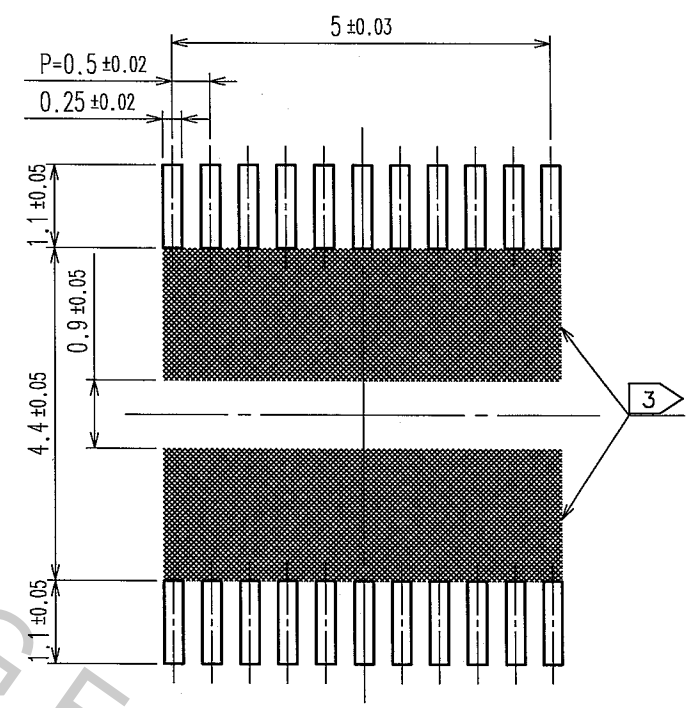
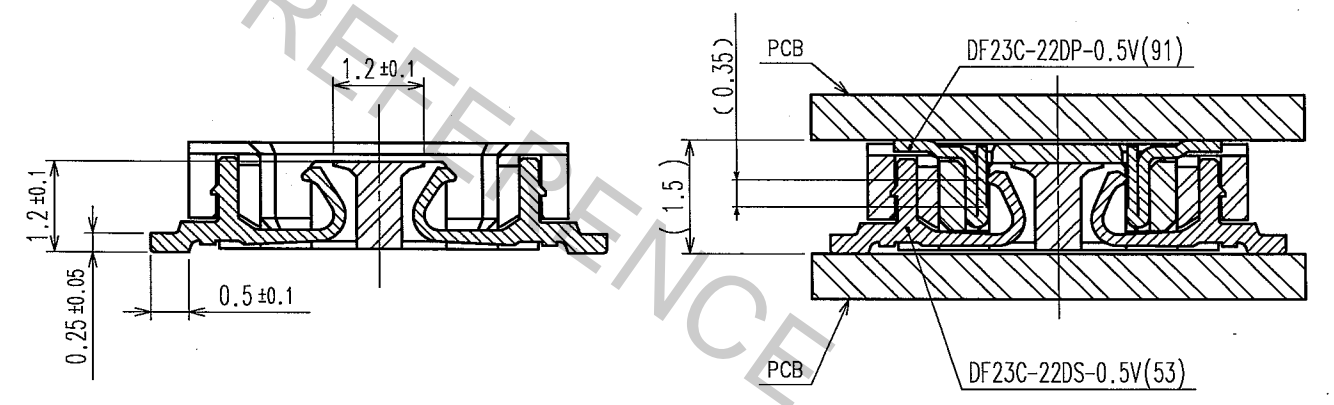


Fig.2 : A-A CROSS SECTION VIEW

Fig.3 : MATING VIEW



NOTES

- 1 LEAD CO-PLANARITY SHALL BE 0.1mm MAX.
- ② PLATING
 CONTACT AREA : GOLD 0.1μ m MIN.
 LEAD AREA : GOLD 0.02μ m MIN.
 UNDER PLATING : NICKEL 1μ m MIN.
- ③ WHEN A PART MARKED WITH [Hatched Box] HAS A PATTERN BUT NO RESIST ON IT, TAKE CARE TO PREVENT THE CONNECTOR FROM TOUCHING IT.
- 4 THE DIMENSIONS IN PARENTHESES ARE FOR REFERENCE.

TO

2	PHOSPHOR BRONZE	②	4	POLYESTER	CLEAR
1	LCP	BLACK,UL94V-0	3	PS	CLEAR
NO.	MATERIAL	FINISH, REMARKS	NO.	MATERIAL	FINISH, REMARKS
CODE NO. (OLD)			DRAWN	DESIGNED	CHECKED
			T.Yamamoto	T.Yamamoto	T.Nijigaki
			'05. 9. 2	'05. 9. 2	'05.09.02
				M.Hokamura	
				'05.09.02	
DRAWING NO.			PART NO.		
EDC3-307472-01			DF23C-22DS-0.5V(53)		
SCALE			CODE NO.		
10 : 1			CL688-0310-6-53		
UNITS			1/2		
mm			HRS HIROSE ELECTRIC CO., LTD		

(1/2)

Apr.1.2017 Copyright 2017 HIROSE ELECTRIC CO., LTD. All Rights Reserved.

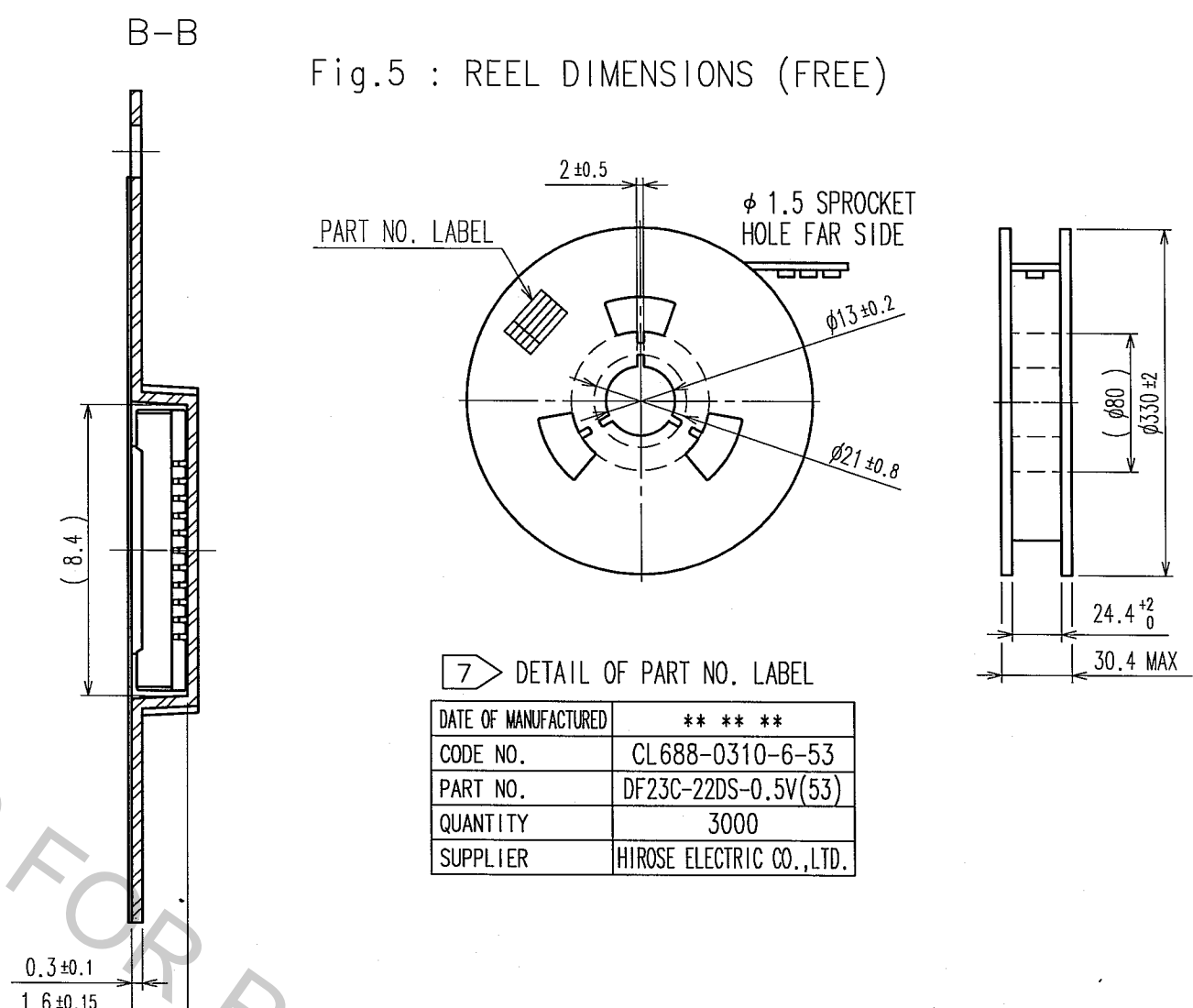
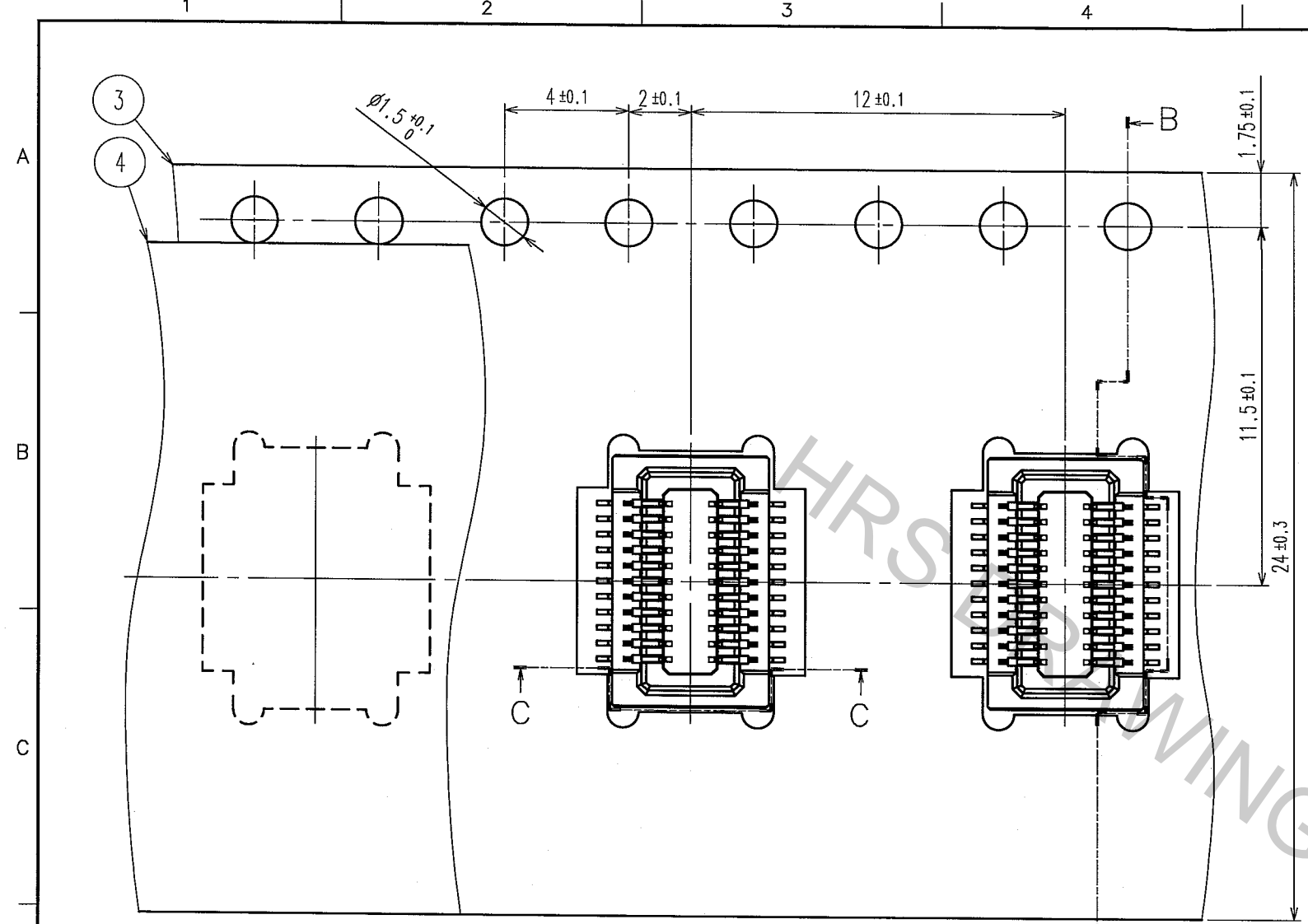
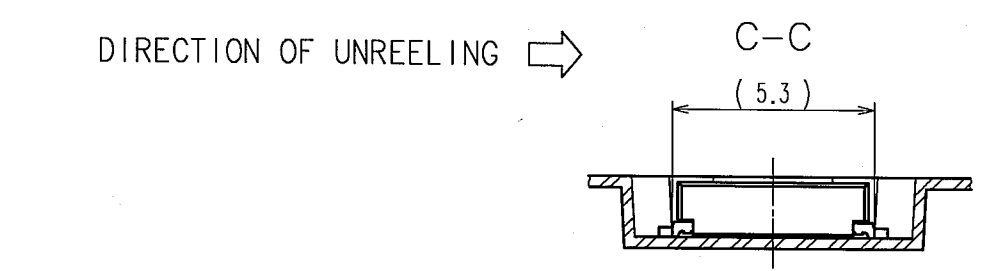


Fig.5 : REEL DIMENSIONS (FREE)

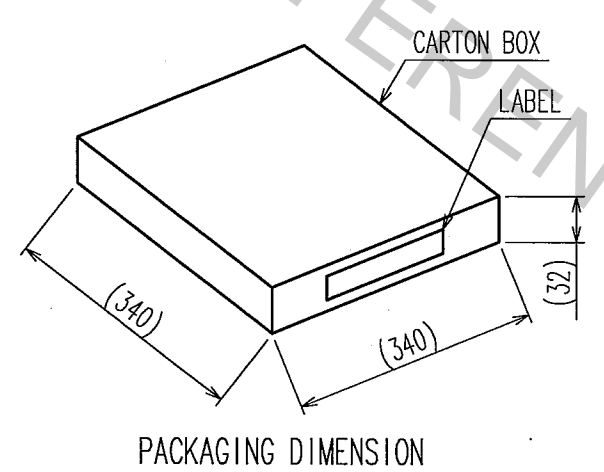
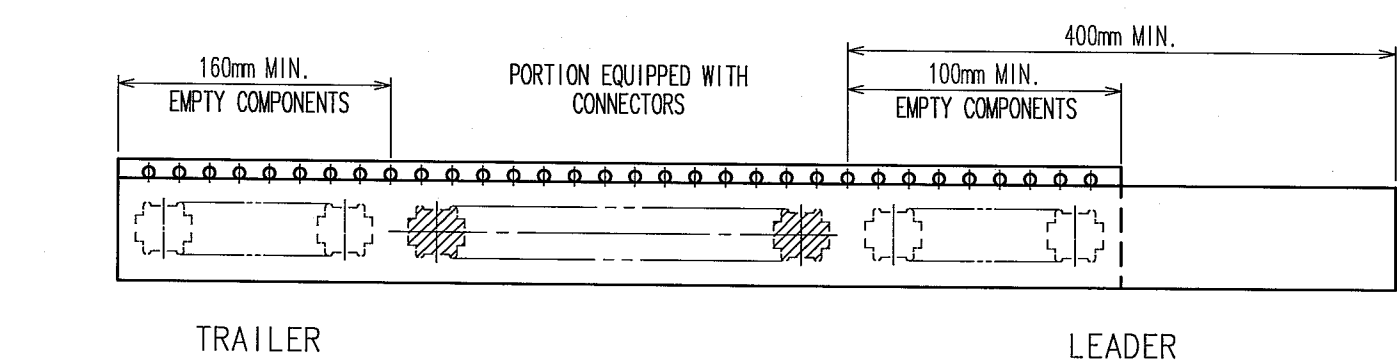
Fig.6 : PACKAGING SPECIFICATION (FREE)

7) DETAIL OF PART NO. LABEL

DATE OF MANUFACTURED	** ** *
CODE NO.	CL688-0310-6-53
PART NO.	DF23C-22DS-0.5V(53)
QUANTITY	3000
SUPPLIER	HIROSE ELECTRIC CO.,LTD.



6) Fig.4 : TAPING (FREE)



DETAIL OF LABEL

CODE NO.	NUMBER OF REELS PER BOX
品名 688-0310-6-53	数量 1RL
PART NO. DF23C-22DS-0.5V(53)	QTY 3000 個
PART NO.	NUMBER OF PRODUCTS PER REEL

NOTES

5 PER REEL 3000 CONNECTORS

6 REFER TO JIS C 0806.
(PACKAGING OF COMPONENTS FOR AUTOMATIC HANDLING)

7 DETAIL OF PART NO. LABEL IS WRITTEN IN JAPANESE.

8 THE DIMENSIONS IN PARENTHESES ARE FOR REFERENCE.

CODE NO. (OLD)	DRAWN	DESIGNED	CHECKED	APPROVED	RELEASED
	T.Yamamoto	J.Yamamoto	J.Nijuzaki	M.Nakamura	
	'05. 9. 2	'05. 9. 2	'05.09.02	'05.09.02	
SCALE 5 : 1	DRAWING NO. EDC3-307472-01		PART NO. DF23C-22DS-0.5V(53)		
UNITS mm	HRS HIROSE ELECTRIC CO., LTD		CODE NO. CL688-0310-6-53		2/2

TO