

Product Preview

MICROSEMI MAX24287 ETHERNET BUS CONVERTER



The MAX24287 Ethernet bus converter is a flexible, low cost Ethernet interface conversion device for interfacing a parallel gigabit media independent interface (GMII)/MII interface to a serial GMII/1000BASE-X interface. This device is ideal for interfacing single-channel GMII/MII devices such as microprocessors, field programmable gate arrays (FPGAs), network processors, Ethernet-over-SONET or -PDH mappers and TDM-over-packet circuit emulation devices. The device also provides a convenient solution to interface such devices to electrical or optical Ethernet SFP modules.

Bus Conversion Solutions Address Key Customer Pains

- Evolution of Ethernet standards has created multiple generations of components with different MII Interfaces
- No other easy, flexible off the shelf solution to resolve the MII interface mismatch
- Alternative solution with back to back PHYs is expensive and inefficient
- Shortened life of cost efficient earlier generation processors due to MII interface mismatch increase BOM cost

Easy to Design

- Connects with neighbor components using industry-standard interfaces
- Simple configuration over high-speed MDIO interface
- Small footprint 8x8 mm TQFN

Flexible

- Supports a wide range of serial and parallel interfaces and fits the majority of applications
- Serial: 1000BASE-X or SGMII
- Parallel: GMII, RGMII, TBI, RTBI or 10/100 MII
- GPIOs can be used as clocks and status

Built-in Support for Synchronous Ethernet

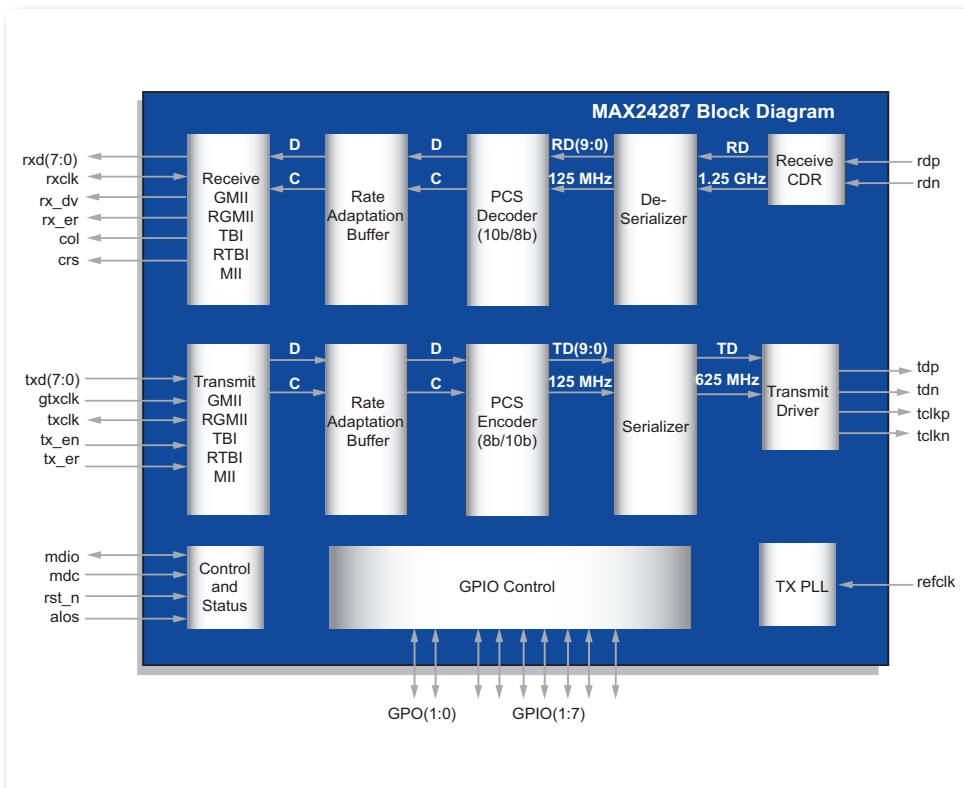
- Data paths designed for SyncE clocking
- Provides SyncE reference to be used by the clock tree
- Receive clock divided and available on GPIO
- Transmit clock locked to a system reference

Applications

- Any system with a need to interface a component with a parallel MII interface (GMII, RGMII, TBI RTBI, 10/100 MII) to a component with an SGMII or 1000BASE-X interface
- Switches, Routers and Telecom equipment
- Industrial and Test equipment

Availability and Support

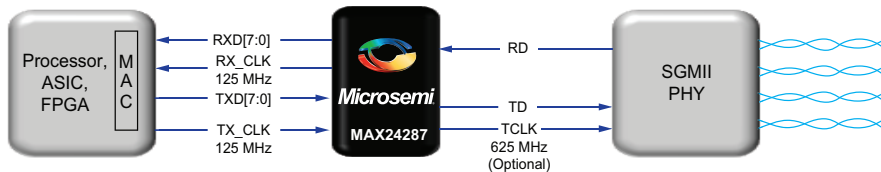
Microsemi Clock Management products are in volume production. To learn more about Microsemi's bus converter products, visit www.microsemi.com/timing-and-synchronization/ieee-1588/max24287#overview. Full information, including complete data sheets and design manuals, is available to registered MyMicrosemi customers. To register for a MyMicrosemi account, visit www.microsemi.com/create-an-account.



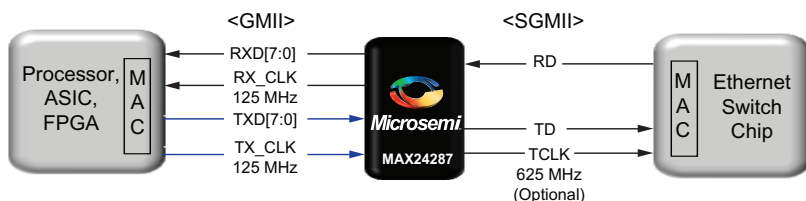
Featured Products

Application Examples

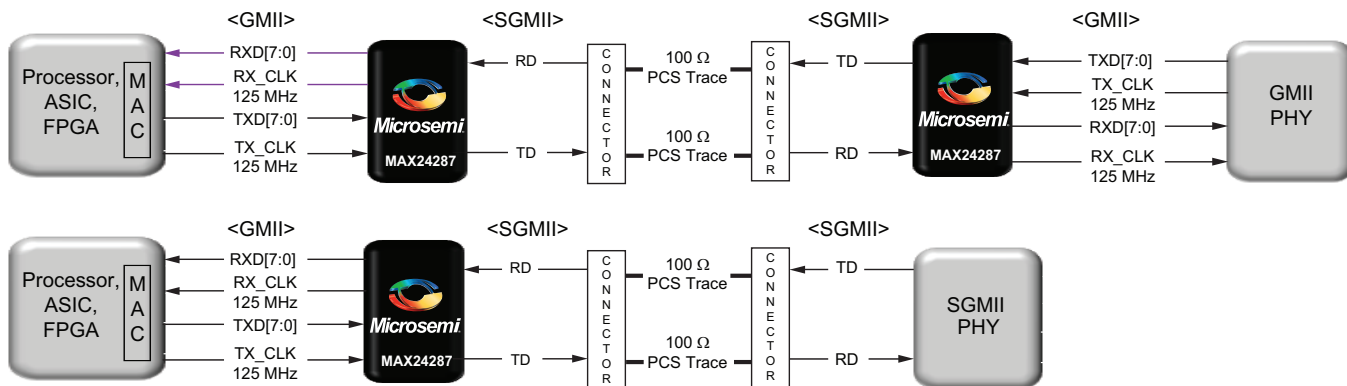
Copper Media



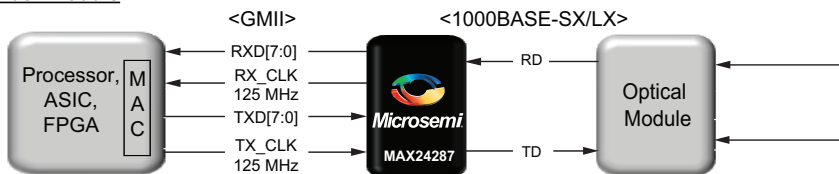
Connect Parallel MII Component to SGMII Component



Long PCB Trace Card-to-Card



Fiber Module



Microsemi

Microsemi Corporate Headquarters
 One Enterprise, Aliso Viejo CA 92656 USA
 Within the USA: +1 (949) 380-6100
 Sales: +1 (949) 380-6136
 Fax: +1 (949) 215-4996

Microsemi Corporation (NASDAQ: MSCC) offers a comprehensive portfolio of semiconductor solutions for: aerospace, defense and security; enterprise and communications; and industrial and alternative energy markets. Products include high-performance, high-reliability analog and RF devices, mixed signal and RF integrated circuits, customizable SoCs, FPGAs, and complete subsystems. Microsemi is headquartered in Aliso Viejo, Calif. Learn more at www.microsemi.com.