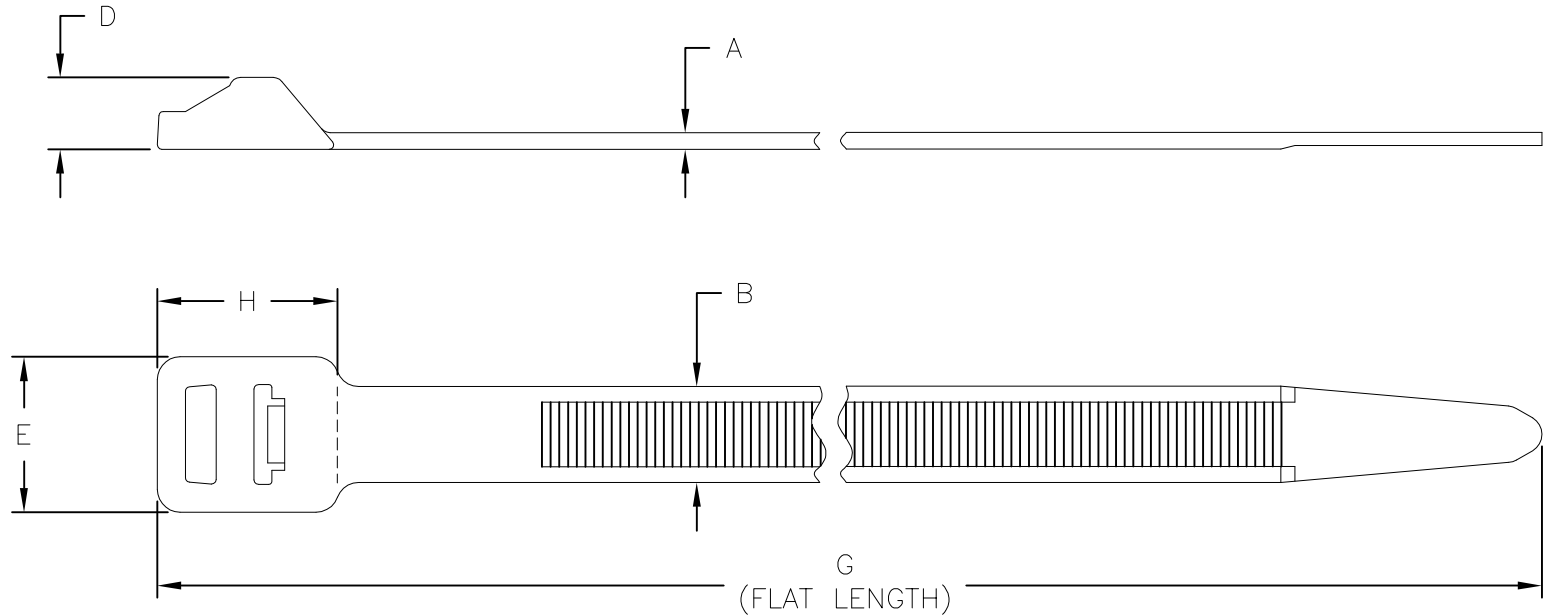


Revision level		Revision Record	Changed	Date	Approved	Date
part	drawing					
-	01	See ECN 010928	A.A.C.	01/24/08	K.A.C.	01/24/08



PRODUCT CODE DESCRIPTION

T250S\_HS  
 COLOR  
 (CONSULT FACTORY FOR AVAILABLE COLORS)

Aerospace Spec Tie SAE AS33671	Product Code	Cable Range (mm)	Material	A	B	D	E	G	H	Min Loop Tensile Strength (newtons)
no	T250S_	12 to 50	PA66	1.9 ±0.2	12.5±0.2	9.5 ±0.5	20.0 ±0.5	230.0 ±5.0	22.4 ±1.0	1115
no	T250S_HS		PA66HS							

SEE CHART

Material

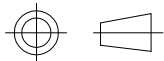
Dimension tolerances unless otherwise specified

- .XXXX =
- .XXX =
- .XX =
- .X = ± NOTED
- < =

Dimension Units mm

PERFORMANCE SPECIFICATION

ACAD MECH  
2008



Drawn	G.G.G.	07/31/91
Approved	K.A.C.	01/24/08

Scale 1:1 Computer File Number CT\CST\2250001\_01  
 Title T250S HEAVY DUTY LASHING CABLE TIE Phase: Production

ALL PROPRIETARY RIGHTS IN THE SUBJECT MATTER SHOWN ON THIS DRAWING ARE EXCLUSIVE PROPERTY OF HELLERMANN TYTON

**HellermannTyton**

7930 N. Faulkner Rd.  
 Milwaukee, WI 53224  
 Ph: (414) 355-1130  
 Fx: (414) 362-8338

Drawing-No

**CT2250001CST**

Format

AH

Sheet 1 of 1