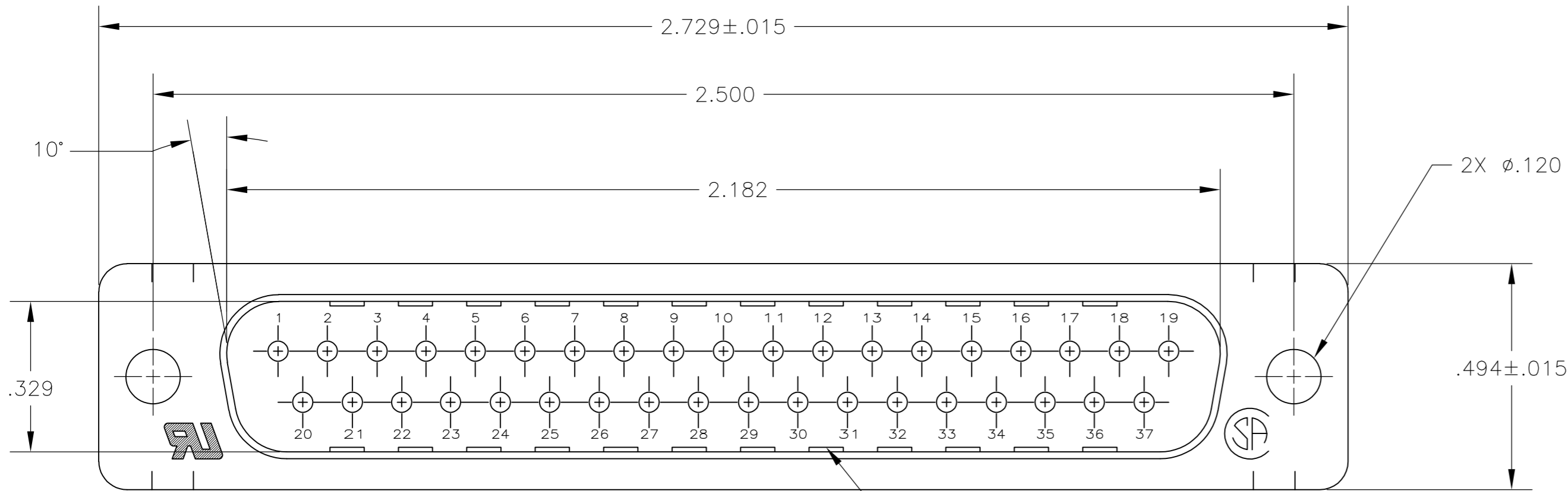
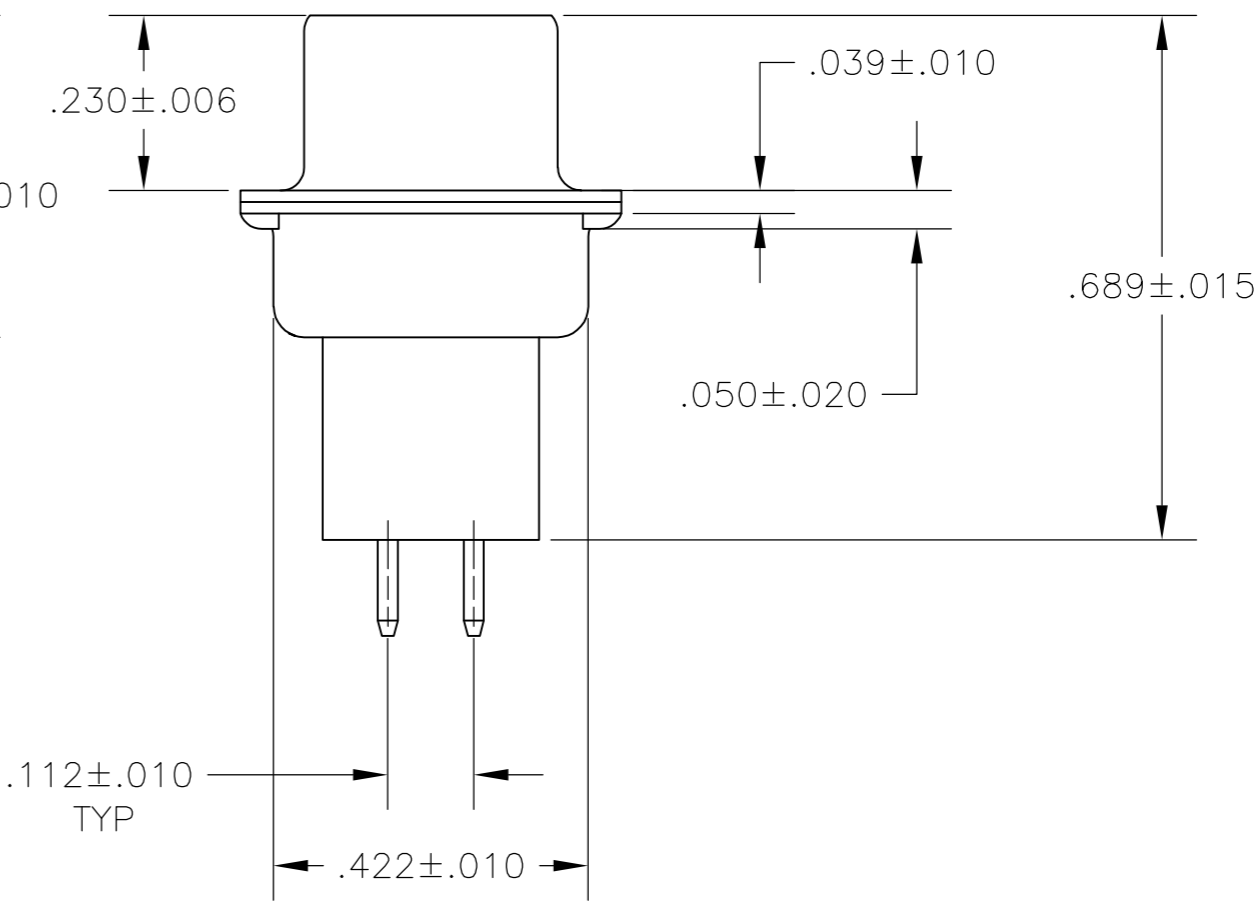
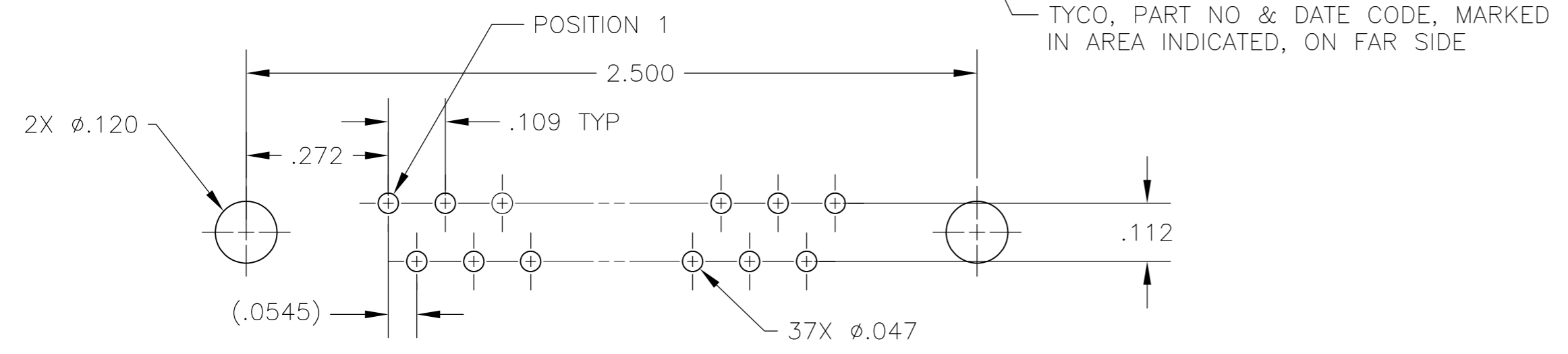
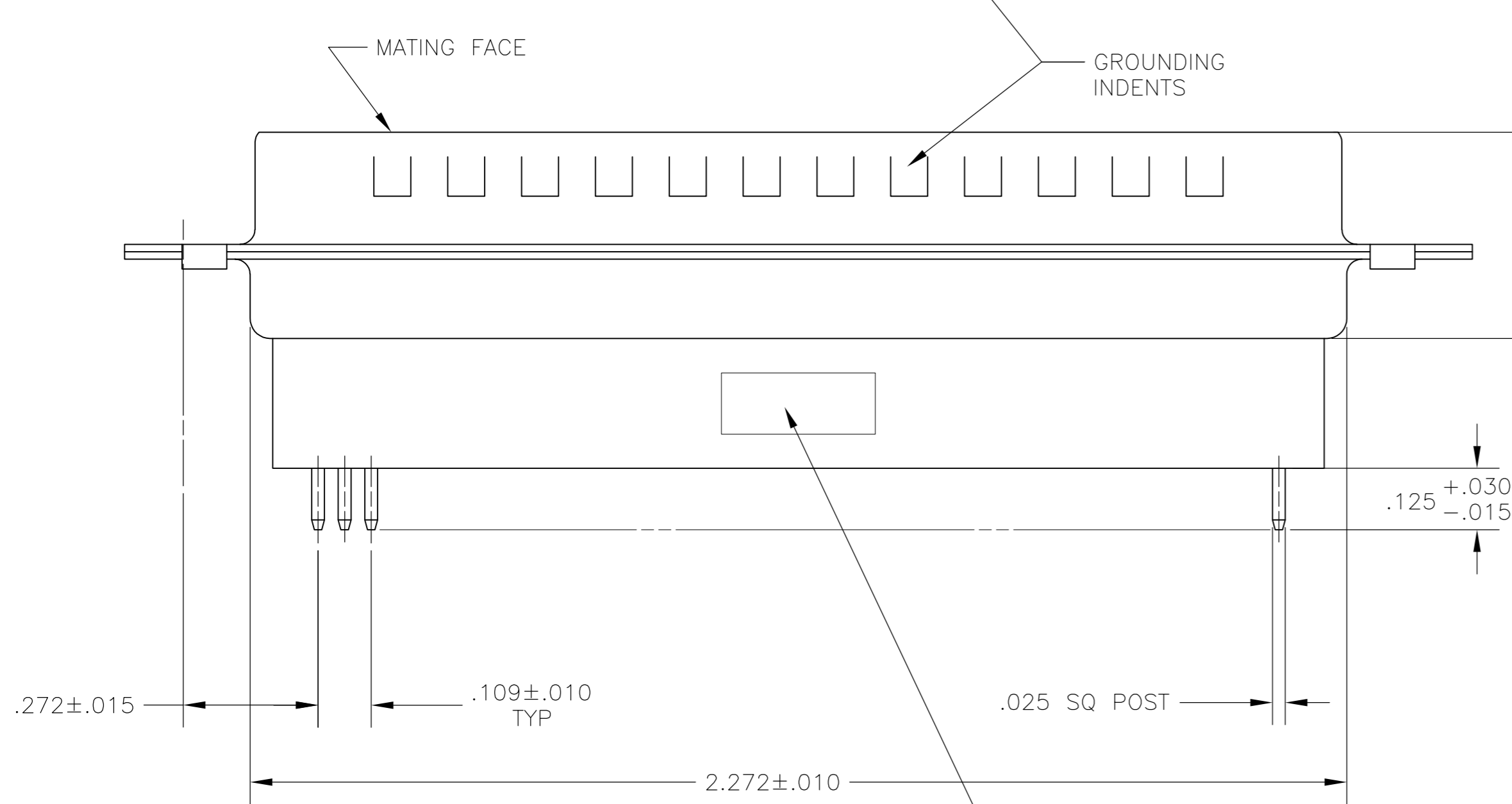


THIS DRAWING IS UNPUBLISHED. RELEASED FOR PUBLICATION
 © COPYRIGHT 2005 By - ALL RIGHTS RESERVED.

LOC		DIST		REVISIONS			
P	LTR	DESCRIPTION	DATE	DWN	APVD		
GP	00						
	D	REVISED PER ECO-14-011808	11AUG2014	AP	SB		



- 1 MOLDDED PARTS: GLASS-FILLED PBT OR GLASS-FILLED NYLON, UL94V-0 RATED. COLOR: BLACK.
SHELL: CARBON STEEL.
CONTACTS: BRASS.
- 2 SHELLS: .000200 MIN TIN OVER .000100 MIN COPPER.
CONTACTS: GOLD PLATING FOR A LENGTH OF .150 MIN FROM MATING END, .000030 MIN GOLD IN MATED AREA, .000100 MIN TIN ON SOLDER END, BOTH OVER .000050 MIN NICKEL.
-OR-
OLD FLASH OVER PALLADIUM-NICKEL PLATED FOR A LENGTH OF .150 MIN FROM MATING END, .000030 MIN TOTAL IN MATED AREA, .000100 MIN TIN ON SOLDER END, BOTH OVER .000050 MIN NICKEL.



5745413

5745413-1
PART NO

THIS DRAWING IS A CONTROLLED DOCUMENT.		DWN	16SEPT05		TE Connectivity		
DIMENSIONS: INCHES		CHK	16SEPT05		NAME		
TOLERANCES UNLESS OTHERWISE SPECIFIED:		APVD	16SEPT05		PRODUCT SPEC		
0 PLC ± - 1 PLC ± - 2 PLC ± - 3 PLC ± .005 4 PLC ± - ANGLES ± - FINISH ± -		M. WALMSLEY			APPLICATION SPEC		
MATERIAL		WEIGHT		SIZE	CAGE CODE	DRAWING NO	
1		-		A2	00779	114-40013	
2		-		C=5745413		RESTRICTED TO	
CUSTOMER DRAWING		SCALE		SHEET		REV	
		NTS		1 of 1		D	