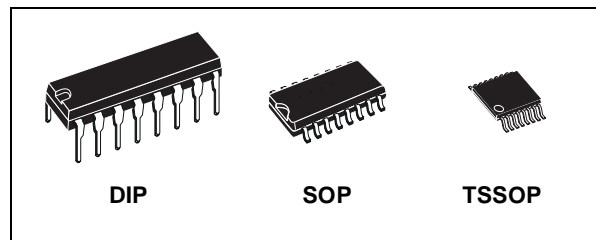




M74HC40103

8 STAGE PRESETTABLE SYNCHRONOUS DOWN COUNTER

- HIGH SPEED :
 $f_{MAX} = 38\text{MHz}$ (TYP.) at $V_{CC} = 6\text{V}$
- LOW POWER DISSIPATION:
 $I_{CC} = 4\mu\text{A}$ (MAX.) at $T_A = 25^\circ\text{C}$
- HIGH NOISE IMMUNITY:
 $V_{NIH} = V_{NIL} = 28\% V_{CC}$ (MIN.)
- SYMMETRICAL OUTPUT IMPEDANCE:
 $|I_{OH}| = I_{OL} = 4\text{mA}$ (MIN)
- BALANCED PROPAGATION DELAYS:
 $t_{PLH} \approx t_{PHL}$
- WIDE OPERATING VOLTAGE RANGE:
 V_{CC} (OPR) = 2V to 6V
- PIN AND FUNCTION COMPATIBLE WITH
 74 SERIES 40103



ORDER CODES

PACKAG E	TUBE	T & R
DIP	M74HC40103B1R	
SOP	M74HC40103M1R	M74HC40103RM13TR
TSSOP		M74HC40103TTR

DESCRIPTION

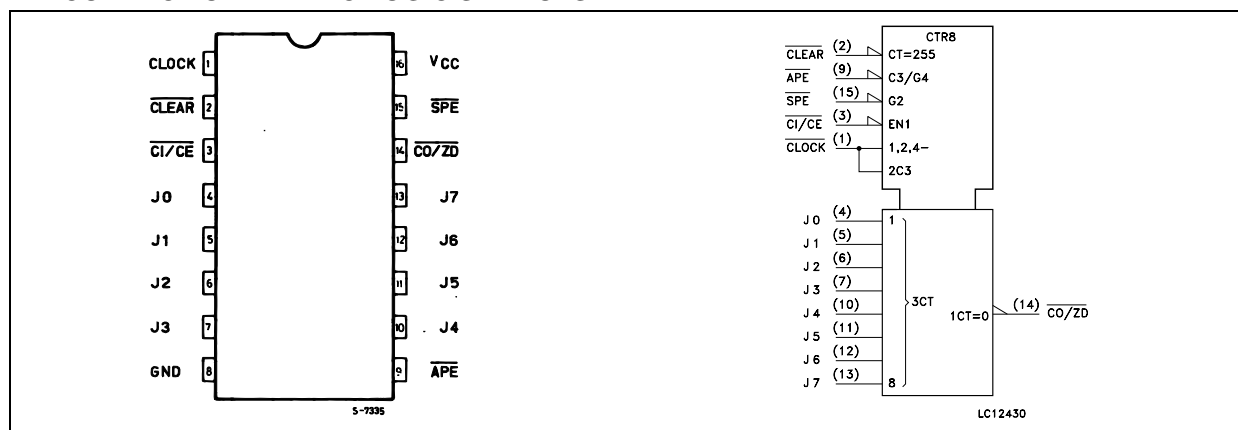
The M74HC40103 is an high speed CMOS 8-STAGE PRESETTABLE SYNCHRONOUS DOWN COUNTER fabricated with silicon gate C²MOS technology.

The HC40103 consists of an 8 stage synchronous down counter with a single output which is active when the internal count is zero. The HC40103 contains a single 8-bit binary counter. This device has control inputs for enabling or disabling the clock, for clearing the counter to its maximum count, and for presetting the counter either synchronously or asynchronously. All control inputs and the CARRY-OUT / ZERO DETECT output are active low logic. In normal operation the counter is decremented by one count on each positive transition of the CLOCK. Counting is

inhibited when the CARRY-IN / COUNTER ENABLE (CI/CE) input is high. The CARRY-OUT / ZERO-DETECT (CO/ZD) output goes low when the count reaches zero if the CI/CE input is low, and remains low for one full clock period. When the SYNCHRONOUS PRESET-ENABLE (SPE) input is low, data at the J input is clocked into the counter on the next positive clock transition regardless of the state of the CI/CE input.

When the ASYNCHRONOUS PRESET-ENABLE (APE) input is low, data at the J inputs is asynchronously forced into the counter regardless of the state of the SPE CI/CE or CLOCK inputs. J input J0-J7 represent a singular 8-bit binary word. When the CLEAR, CLR input is low, the counter is asynchronously cleared to its maximum count

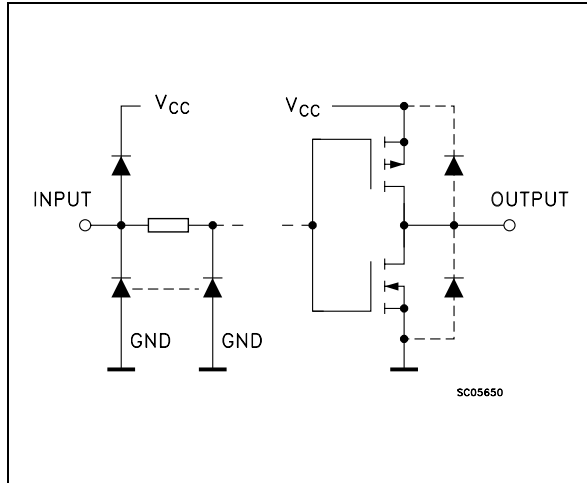
PIN CONNECTION AND IEC LOGIC SYMBOLS



M74HC40103

(255₁₀) regardless of the state of any other input. The precedence relationship between control input is indicated in the truth table. If all control inputs are high at the time of zero count, the counters will jump to the maximum count giving a

INPUT AND OUTPUT EQUIVALENT CIRCUIT



counting sequence of 256 clock pulses long. The HC40103 may be cascaded using the $\overline{CI/CE}$ input and the $\overline{CO/ZD}$ output, in either a synchronous or ripple mode. All inputs are equipped with protection circuits against static discharge and transient excess voltage.

PIN DESCRIPTION

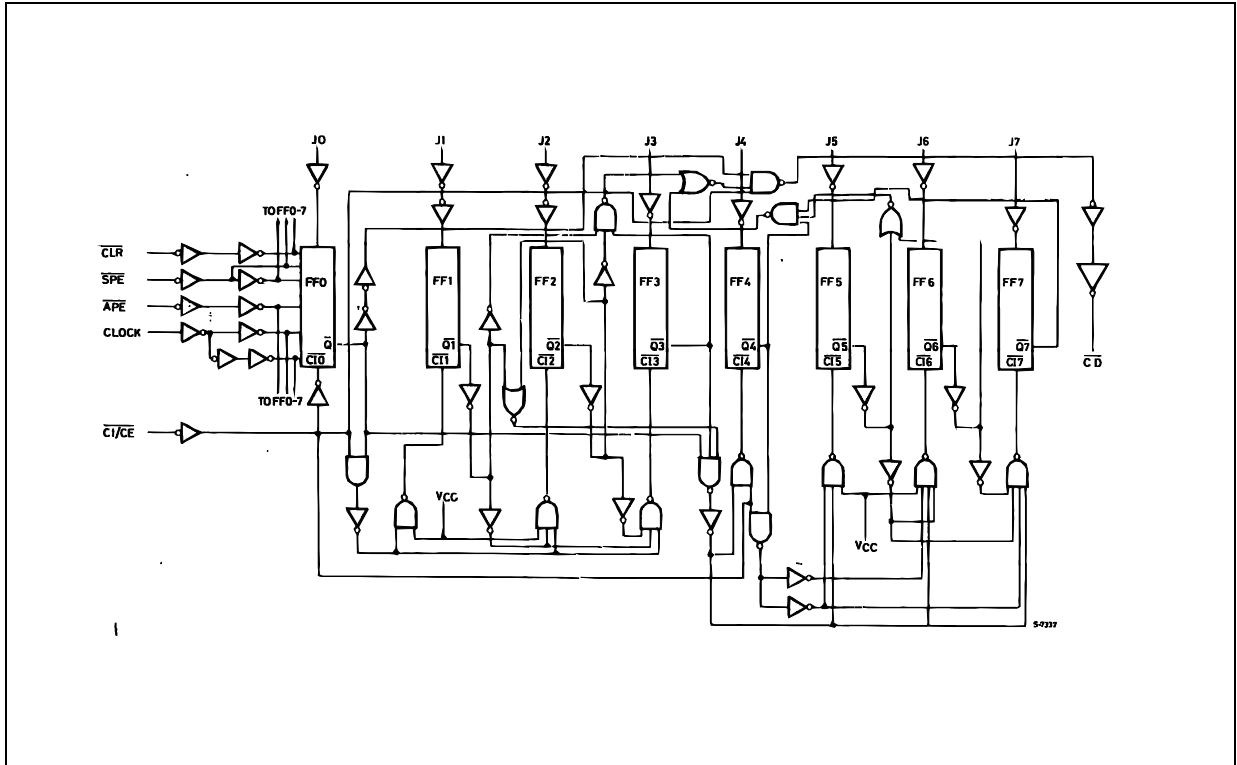
PIN No	SYMBOL	NAME AND FUNCTION
1	CLOCK	Clock Input (LOW to HIGH edge triggered)
2	$\overline{\text{CLEAR}}$	Asynchronous Master Reset Input (Active Low)
3	$\overline{CI/CE}$	Terminal Enable Input
4, 5, 6, 7, 10, 11, 12, 13	J0 to J9	Jam Inputs
9	\overline{APE}	Asynchronous Preset Enable Inputs (Active Low)
14	$\overline{CO/ZD}$	Terminal Count Output (Active Low)
15	\overline{SPE}	Synchronous Preset Enable Input (Active Low)
8	GND	Ground (0V)
16	Vcc	Positive Supply Voltage

TRUTH TABLE

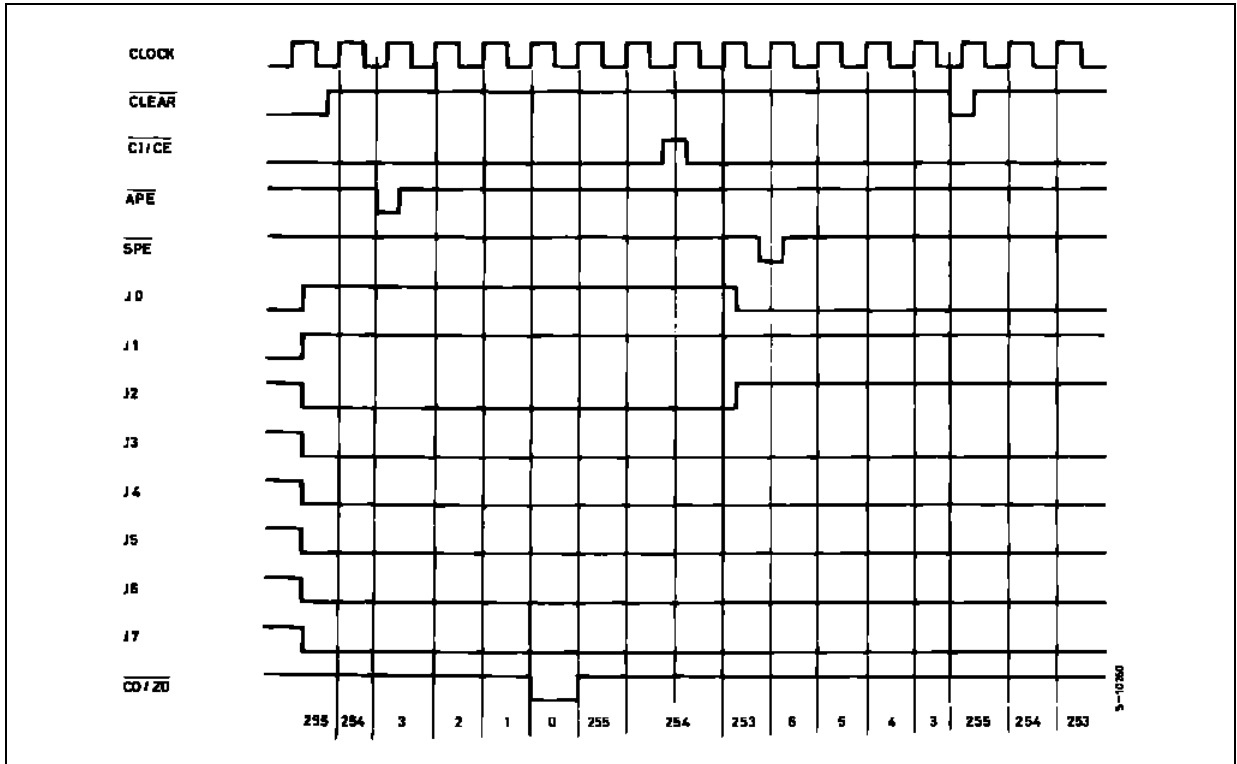
CONTROL INPUTS				MODE	FUNCTIONAL DESCRIPTION
$\overline{\text{CLEAR}}$	\overline{APE}	\overline{SPE}	$\overline{CI/CE}$		
H	H	H	H	COUNT INHIBIT	EVEN IF CLOCK IS GIVEN, NO COUNT IS MADE
H	H	H	L	REGULAR COUNT	DOWN COUNT AT RISING EDGE OF CLOCK
H	H	L	X	SYNCHRONOUS PRESET	DATA OF PI TERMINAL IS PRESET AT RISING EDGE OF CLOCK
H	L	X	X	ASYNCHRONOUS PRESET	DATA OF PI TERMINAL IS ASYNCHRONOUSLY PRESET TO CLOCK
L	X	X	X	CLEAR	COUNTER IS SET TO MAXIMUM COUNT

X : Don't Care
Maximum Count is "255"

LOGIC DIAGRAM



TIMING CHART



ABSOLUTE MAXIMUM RATINGS

Symbol	Parameter	Value	Unit
V_{CC}	Supply Voltage	-0.5 to +7	V
V_I	DC Input Voltage	-0.5 to $V_{CC} + 0.5$	V
V_O	DC Output Voltage	-0.5 to $V_{CC} + 0.5$	V
I_{IK}	DC Input Diode Current	± 20	mA
I_{OK}	DC Output Diode Current	± 20	mA
I_O	DC Output Current	± 25	mA
I_{CC} or I_{GND}	DC V_{CC} or Ground Current	± 50	mA
P_D	Power Dissipation	500(*)	mW
T_{stg}	Storage Temperature	-65 to +150	°C
T_L	Lead Temperature (10 sec)	300	°C

Absolute Maximum Ratings are those values beyond which damage to the device may occur. Functional operation under these conditions is not implied

(*) 500mW at 65 °C; derate to 300mW by 10mW/°C from 65°C to 85°C

RECOMMENDED OPERATING CONDITIONS

Symbol	Parameter	Value	Unit	
V_{CC}	Supply Voltage	2 to 6	V	
V_I	Input Voltage	0 to V_{CC}	V	
V_O	Output Voltage	0 to V_{CC}	V	
T_{op}	Operating Temperature	-55 to 125	°C	
t_r, t_f	Input Rise and Fall Time	$V_{CC} = 2.0V$	0 to 1000	ns
		$V_{CC} = 4.5V$	0 to 500	ns
		$V_{CC} = 6.0V$	0 to 400	ns

DC SPECIFICATIONS

Symbol	Parameter	Test Condition		Value						Unit	
		V _{CC} (V)		T _A = 25°C			-40 to 85°C		-55 to 125°C		
				Min.	Typ.	Max.	Min.	Max.	Min.		Max.
V _{IH}	High Level Input Voltage	2.0		1.5			1.5		1.5		V
		4.5		3.15			3.15		3.15		
		6.0		4.2			4.2		4.2		
V _{IL}	Low Level Input Voltage	2.0				0.5		0.5		0.5	V
		4.5				1.35		1.35		1.35	
		6.0				1.8		1.8		1.8	
V _{OH}	High Level Output Voltage	2.0	I _O =-20 μA	1.9	2.0		1.9		1.9		V
		4.5	I _O =-20 μA	4.4	4.5		4.4		4.4		
		6.0	I _O =-20 μA	5.9	6.0		5.9		5.9		
		4.5	I _O =-4.0 mA	4.18	4.31		4.13		4.10		
		6.0	I _O =-5.2 mA	5.68	5.8		5.63		5.60		
V _{OL}	Low Level Output Voltage	2.0	I _O =20 μA		0.0	0.1		0.1		0.1	V
		4.5	I _O =20 μA		0.0	0.1		0.1		0.1	
		6.0	I _O =20 μA		0.0	0.1		0.1		0.1	
		4.5	I _O =4.0 mA		0.17	0.26		0.33		0.40	
		6.0	I _O =5.2 mA		0.18	0.26		0.33		0.40	
I _I	Input Leakage Current	6.0	V _I = V _{CC} or GND			± 0.1		± 1		± 1	μA
I _{CC}	Quiescent Supply Current	6.0	V _I = V _{CC} or GND			4		40		80	μA

AC ELECTRICAL CHARACTERISTICS (C_L = 50 pF, Input t_r = t_f = 6ns)

Symbol	Parameter	Test Condition		Value						Unit	
		V _{CC} (V)		T _A = 25°C			-40 to 85°C		-55 to 125°C		
				Min.	Typ.	Max.	Min.	Max.	Min.		Max.
t _{TLH} t _{THL}	Output Transition Time	2.0			30	75		95		110	ns
		4.5			8	15		19		22	
		6.0			7	13		16		19	
t _{PLH} t _{PHL}	Propagation Delay Time (CK - CO/ZD)	2.0			96	185		230		280	ns
		4.5			24	37		46		56	
		6.0			20	31		39		47	
t _{PLH} t _{PHL}	Propagation Delay Time (APE - CO/ZD)	2.0			116	225		280		340	ns
		4.5			29	45		56		68	
		6.0			25	38		48		57	
t _{PLH} t _{PHL}	Propagation Delay Time (CL - CO/ZD)	2.0			104	200		250		300	ns
		4.5			26	40		50		60	
		6.0			22	34		43		51	
t _{PLH} t _{PHL}	Propagation Delay Time (CI/CE - CO/ZD)	2.0			48	95		120		145	ns
		4.5			12	19		24		29	
		6.0			10	16		20		24	

M74HC40103

Symbol	Parameter	Test Condition		Value						Unit	
		V _{CC} (V)		T _A = 25°C			-40 to 85°C		-55 to 125°C		
				Min.	Typ.	Max.	Min.	Max.	Min.		Max.
f _{MAX}	Maximum Clock Frequency	2.0		4	8		3		2.6		MHz
		4.5		20	32		16		13		
		6.0		24	38		19		15		
t _W	Clock Pulse Width HIGH or LOW	2.0		150	20		195		235		ns
		4.5		30	7		36		45		
		6.0		25	5		32		40		
t _W	CLEAR Pulse Width LOW	2.0		115	35		140		175		ns
		4.5		20	12		28		35		
		6.0		19	10		24		30		
t _W	Preset Enable Pulse Width APE, LOW	2.0		115	31		140		175		ns
		4.5		20	11		28		35		
		6.0		19	9		24		30		
t _{REM}	Removal time CLEAR to CLOCK or APE to CLOCK	2.0		47	12		62		70		ns
		4.5		9	4		12		13		
		6.0		8	3		10		11		
t _{SETUP}	Set Up Time SPE to CLOCK	2.0		70	20		90		110		ns
		4.5		13	7		16		20		
		6.0		11	5		15		16		
t _{SETUP}	Set Up Time CI/CE to CLOCK	2.0		140	40		175		205		ns
		4.5		27	14		36		42		
		6.0		23	12		31		36		
t _{SETUP}	Set Up Time Jn to CLOCK	2.0		72	20		92		105		ns
		4.5		14	8		18		20		
		6.0		12	6		15		18		
t _{hold}	Hold Time SPE to CLOCK	2.0		-14	0		0		0		ns
		4.5		-5	0		0		0		
		6.0		-4	0		0		0		
t _{hold}	Hold Time CI/CE to CLOCK	2.0		-30	0		0		0		ns
		4.5		-11	0		0		0		
		6.0		-9	0		0		0		
t _{hold}	Hold Time Jn to CLOCK	2.0		-17	0		0		0		ns
		4.5		-6	0		0		0		
		6.0		-5	0		0		0		

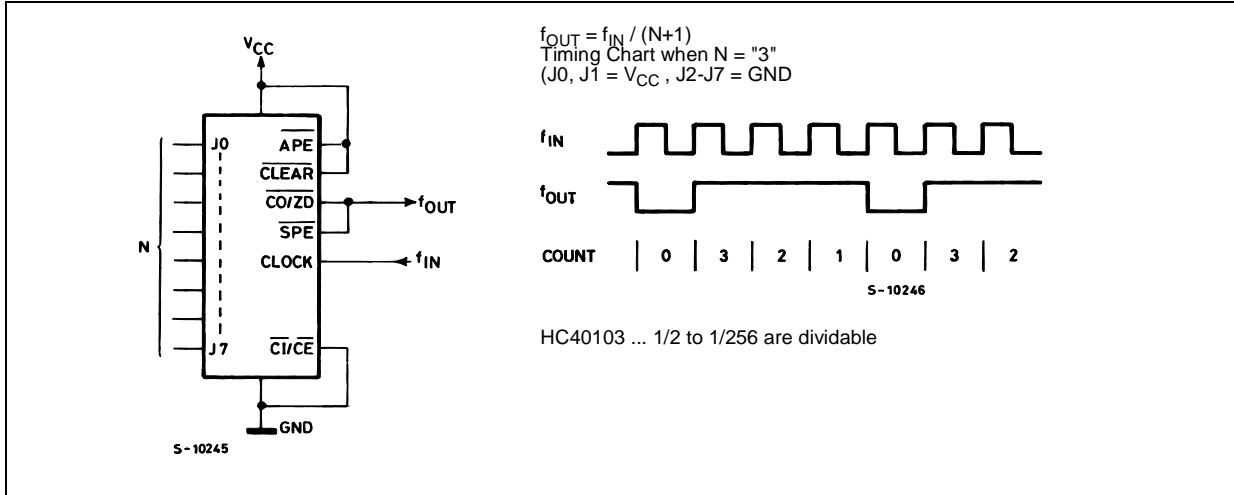
CAPACITIVE CHARACTERISTICS

Symbol	Parameter	Test Condition		Value						Unit	
		V _{CC} (V)		T _A = 25°C			-40 to 85°C		-55 to 125°C		
				Min.	Typ.	Max.	Min.	Max.	Min.		Max.
C _{IN}	Input Capacitance	5.0			5	10		10		10	pF
C _{PD}	Power Dissipation Capacitance (note 1)	5.0			60						pF

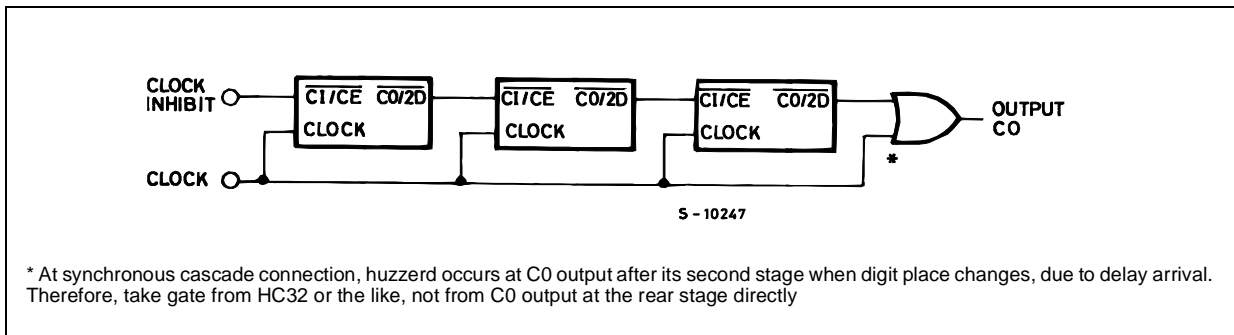
1) C_{PD} is defined as the value of the IC's internal equivalent capacitance which is calculated from the operating current consumption without load. (Refer to Test Circuit). Average operating current can be obtained by the following equation. $I_{CC(oper)} = C_{PD} \times V_{CC} \times f_{IN} + I_{CC}$

TYPICAL APPLICATIONS

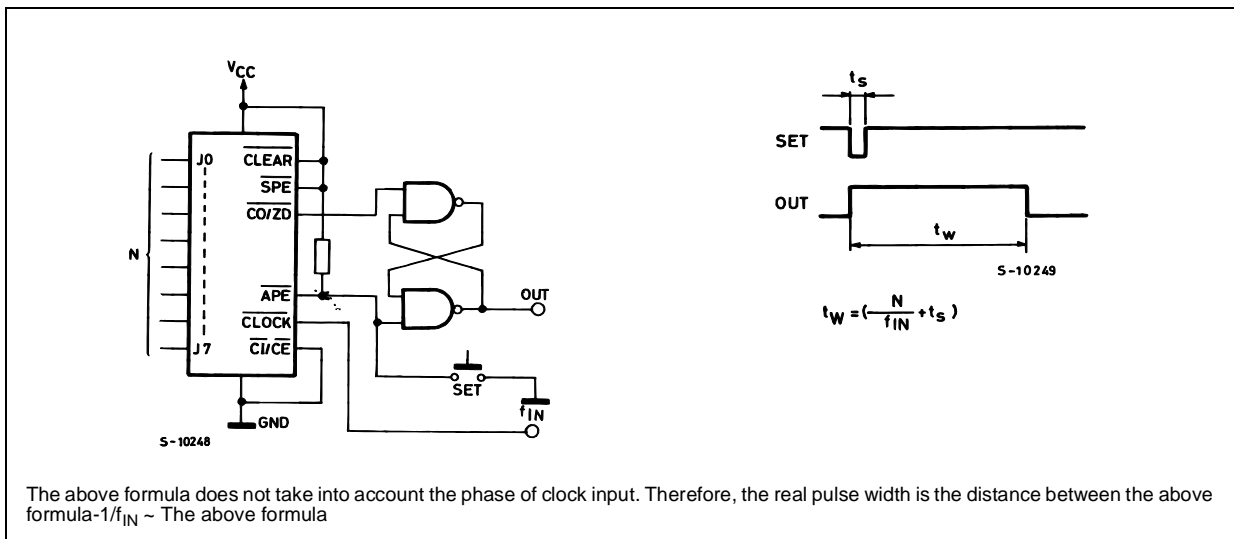
PROGRAMMABLE DIVIDE-BY-N COUNTER



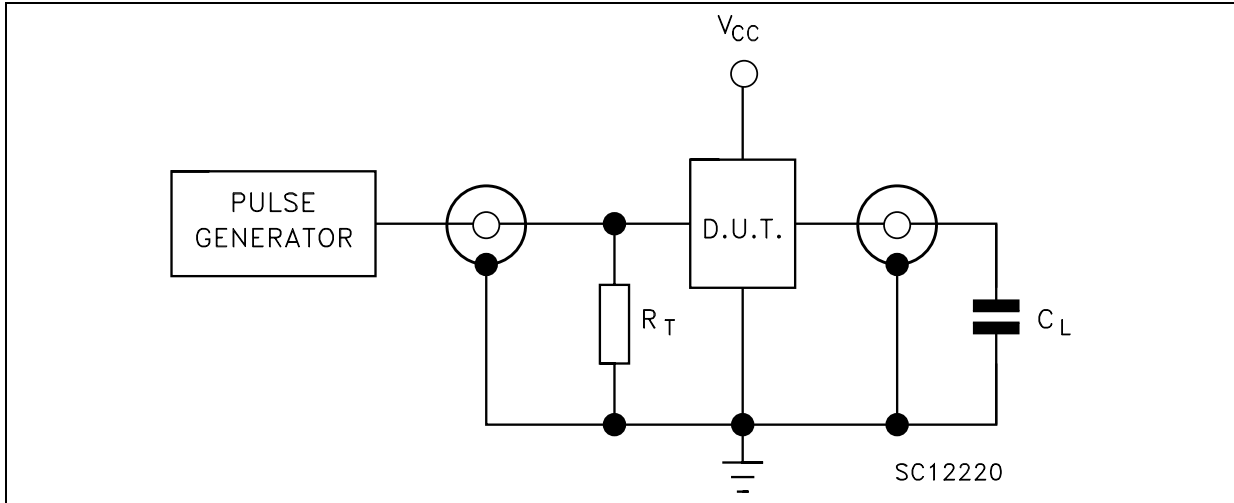
PARALLEL CARRY CASCADING



PROGRAMMABLE TIMER

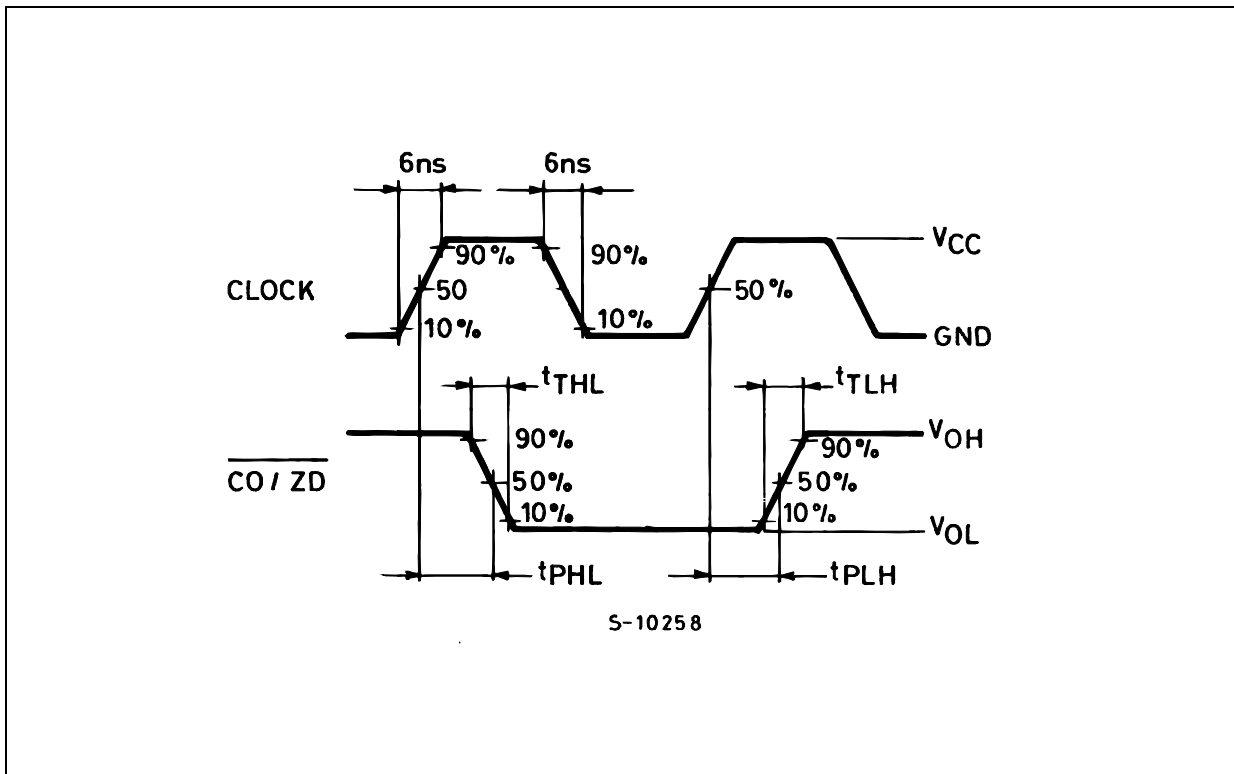


TEST CIRCUIT

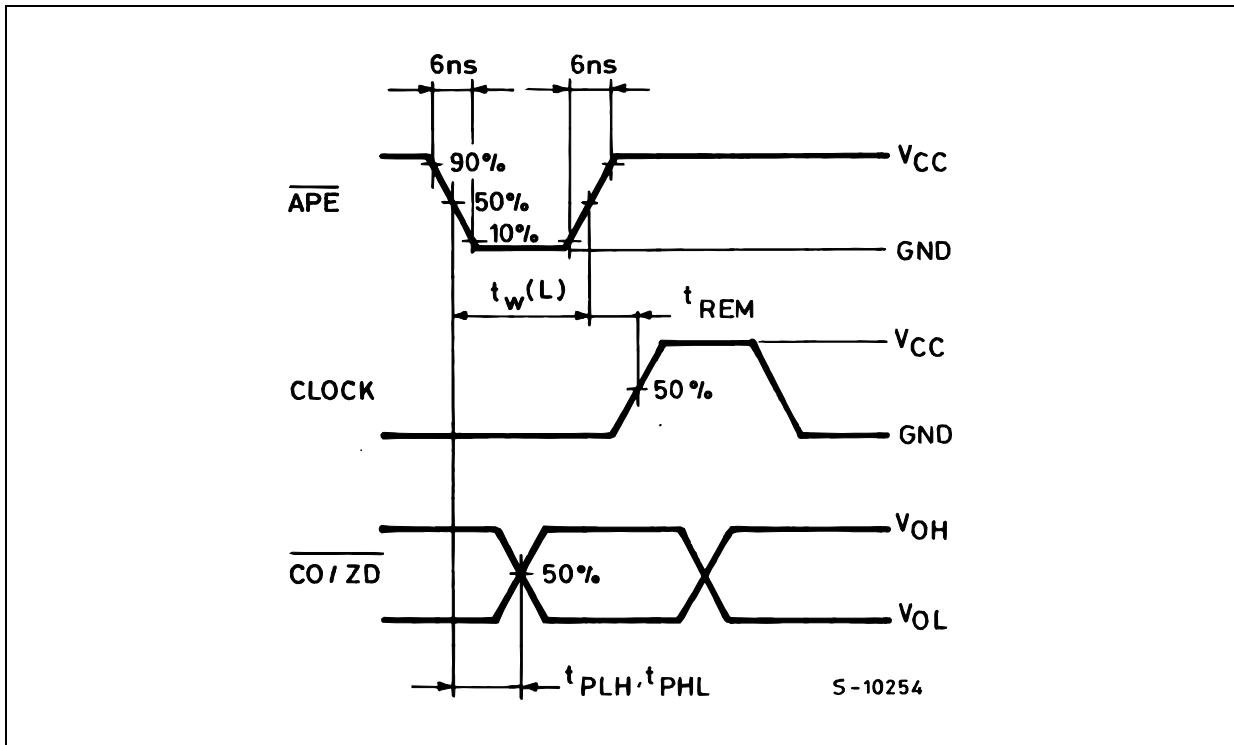


$C_L = 50\text{pF}$ or equivalent (includes jig and probe capacitance)
 $R_T = Z_{OUT}$ of pulse generator (typically 50Ω)

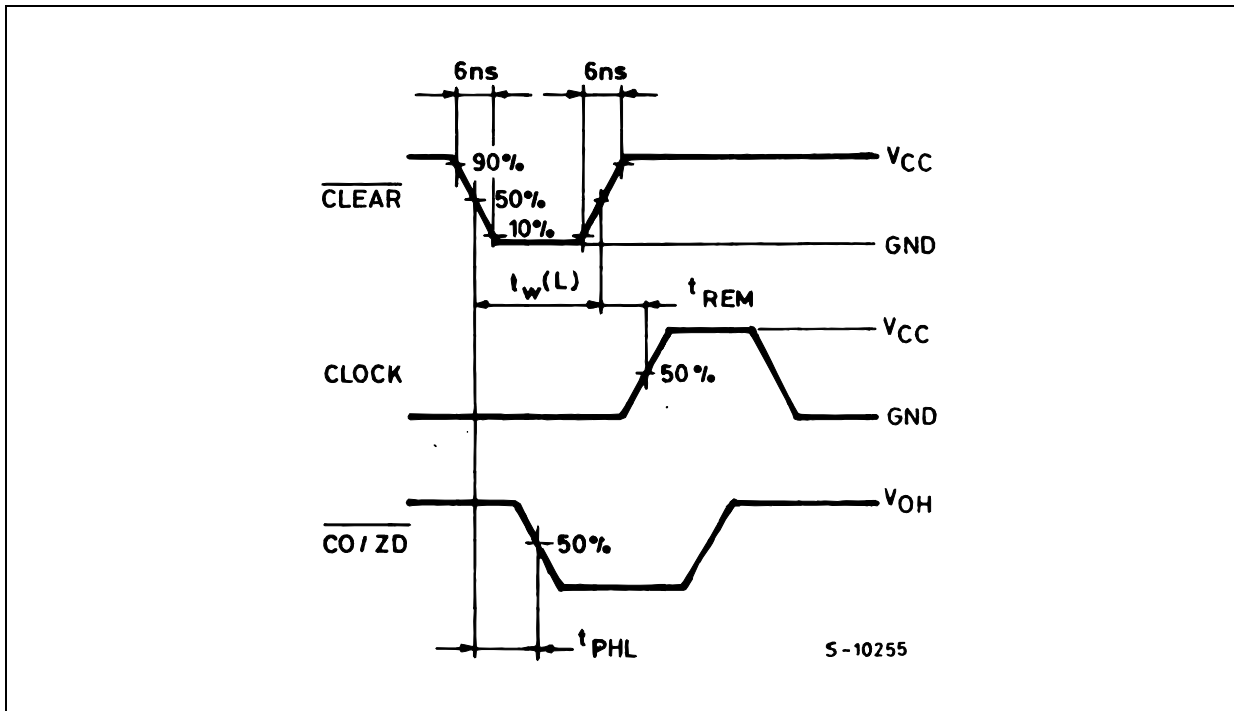
WAVEFORM 1 : PROPAGATION DELAY TIME ($f=1\text{MHz}$; 50% duty cycle)



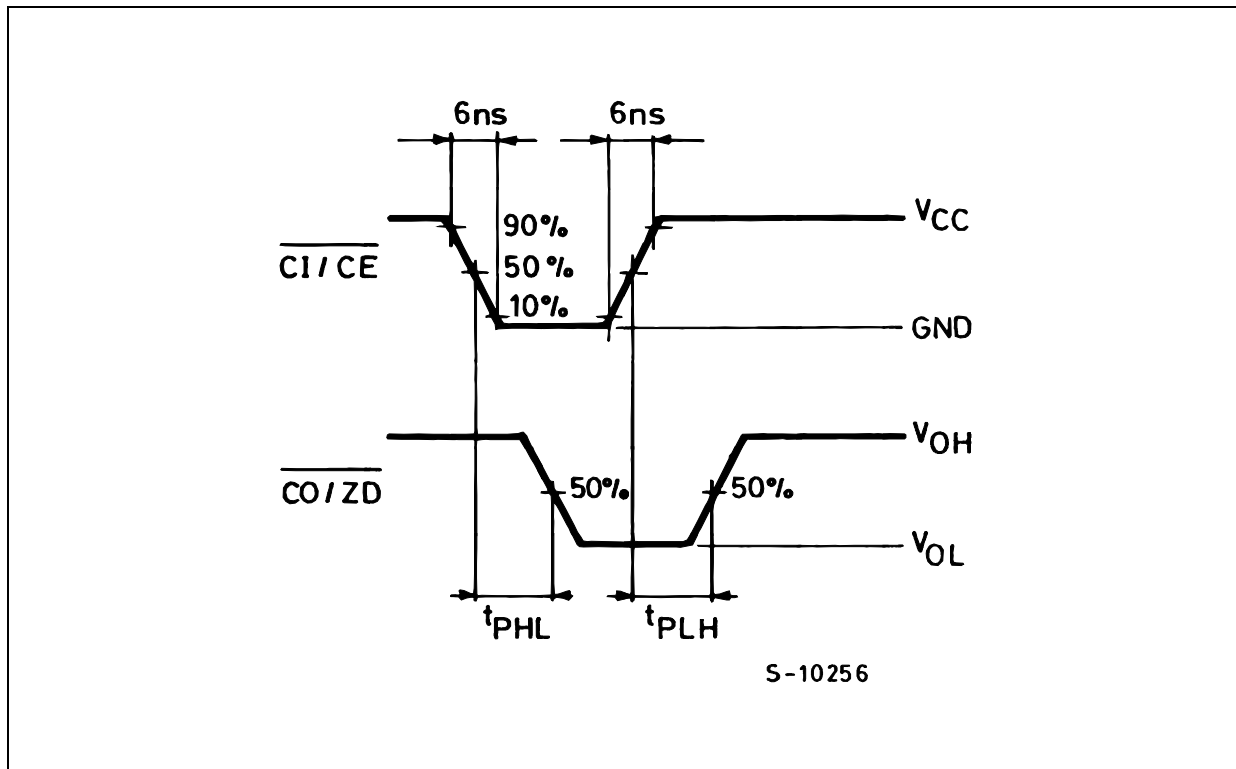
WAVEFORM 2 : PROPAGATION DELAY, MINIMUM PULSE WIDTH AND REMOVAL TIME
 (f=1MHz; 50% duty cycle)



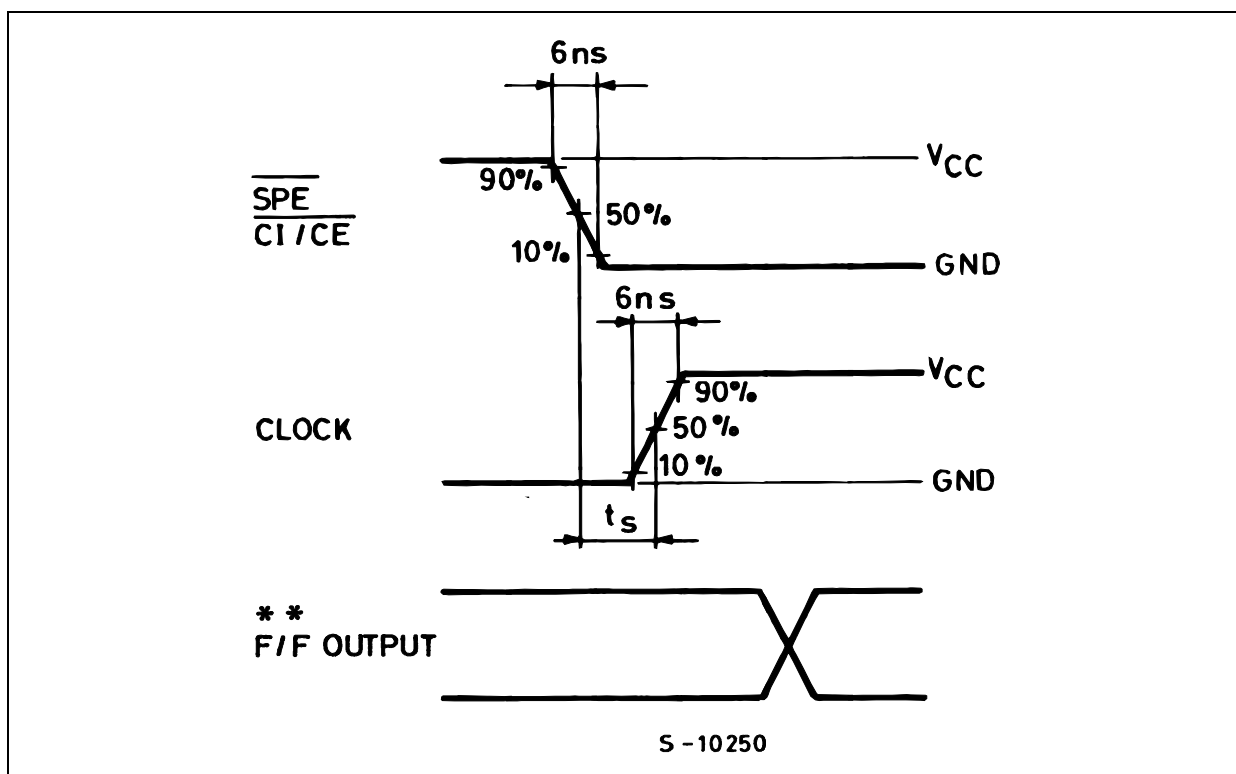
WAVEFORM 3 : PROPAGATION DELAY, MINIMUM PULSE WIDTH AND REMOVAL TIME
 (f=1MHz; 50% duty cycle)



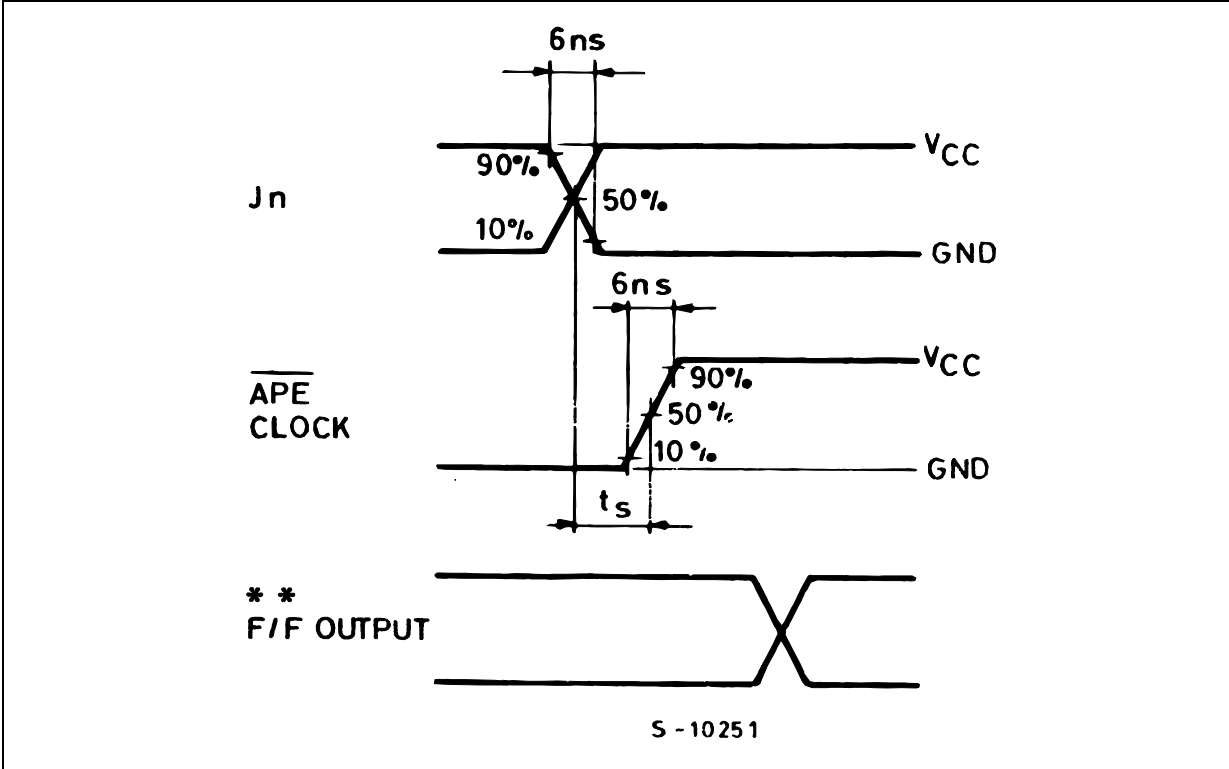
WAVEFORM 4 : PROPAGATION DELAY TIME (f=1MHz; 50% duty cycle)



WAVEFORM 5 : MINIMUM SETUP TIME (f=1MHz; 50% duty cycle)

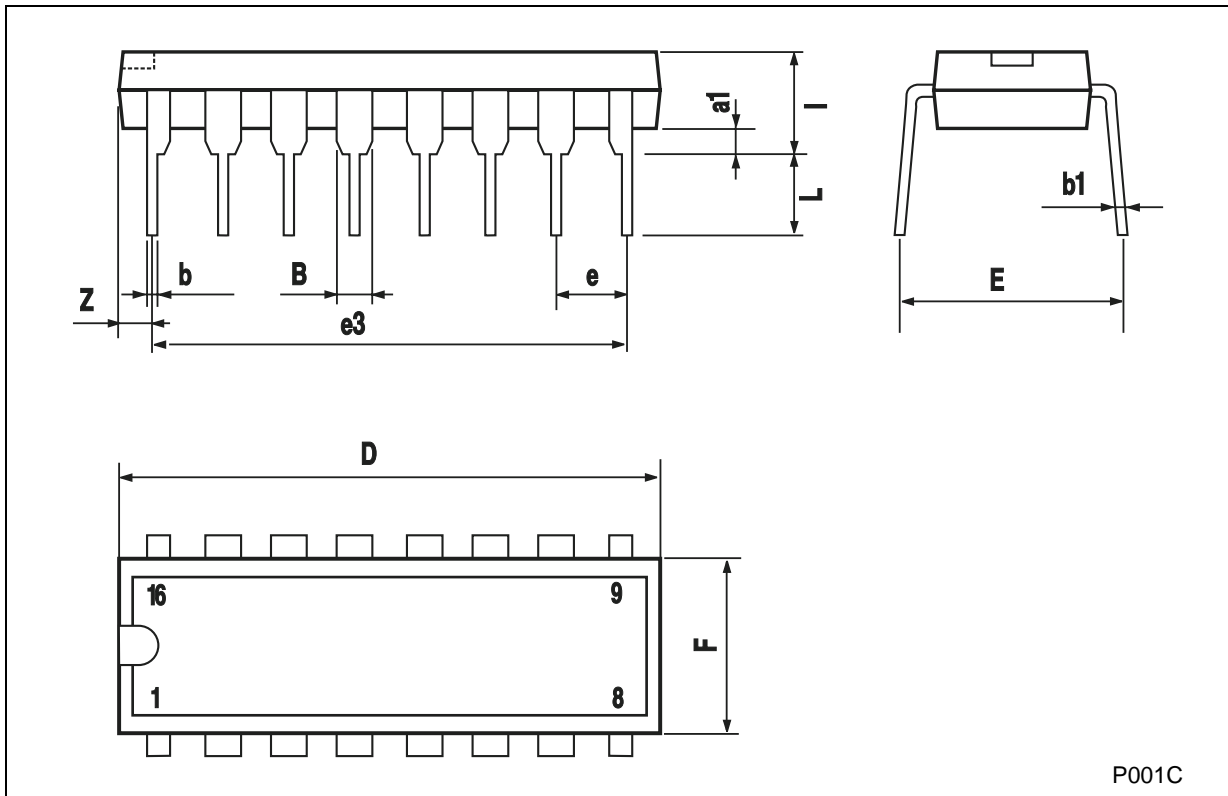


WAVEFORM 6 : MINIMUM SETUP TIME (f=1MHz; 50% duty cycle)



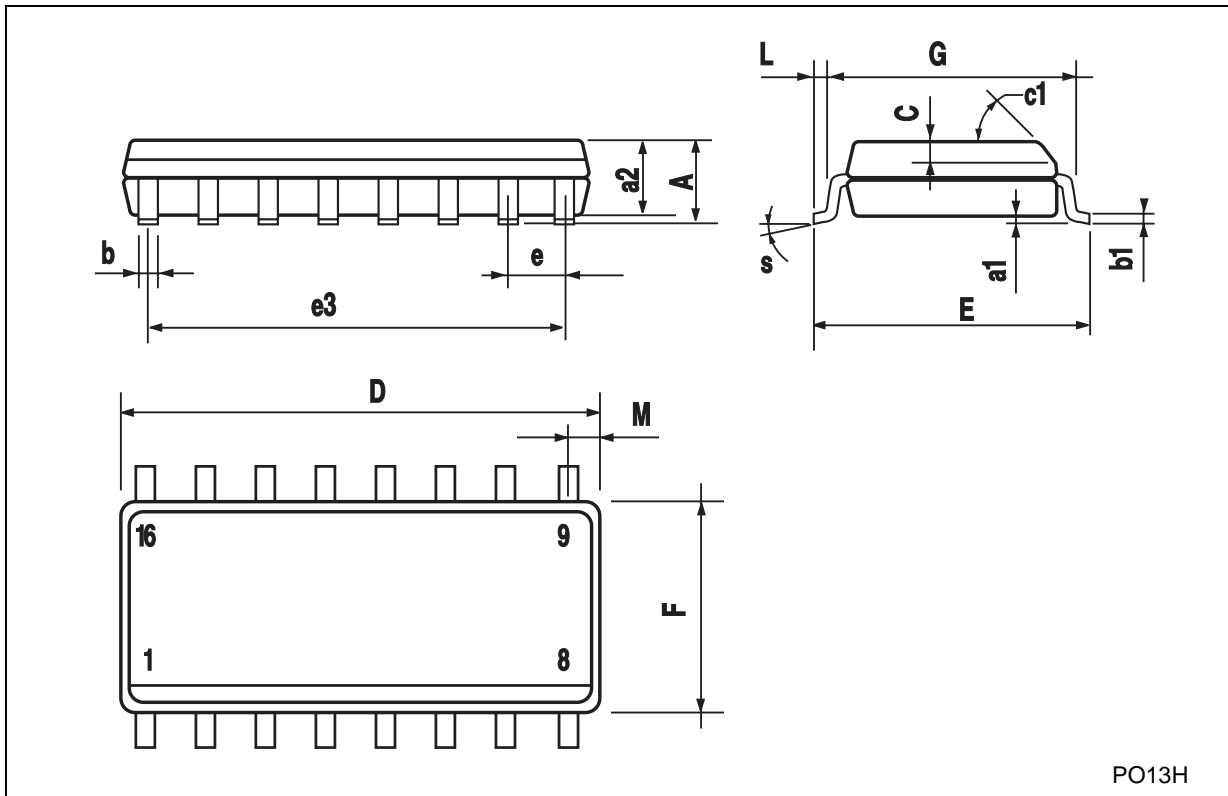
Plastic DIP-16 (0.25) MECHANICAL DATA

DIM.	mm.			inch		
	MIN.	TYP	MAX.	MIN.	TYP.	MAX.
a1	0.51			0.020		
B	0.77		1.65	0.030		0.065
b		0.5			0.020	
b1		0.25			0.010	
D			20			0.787
E		8.5			0.335	
e		2.54			0.100	
e3		17.78			0.700	
F			7.1			0.280
I			5.1			0.201
L		3.3			0.130	
Z			1.27			0.050



SO-16 MECHANICAL DATA

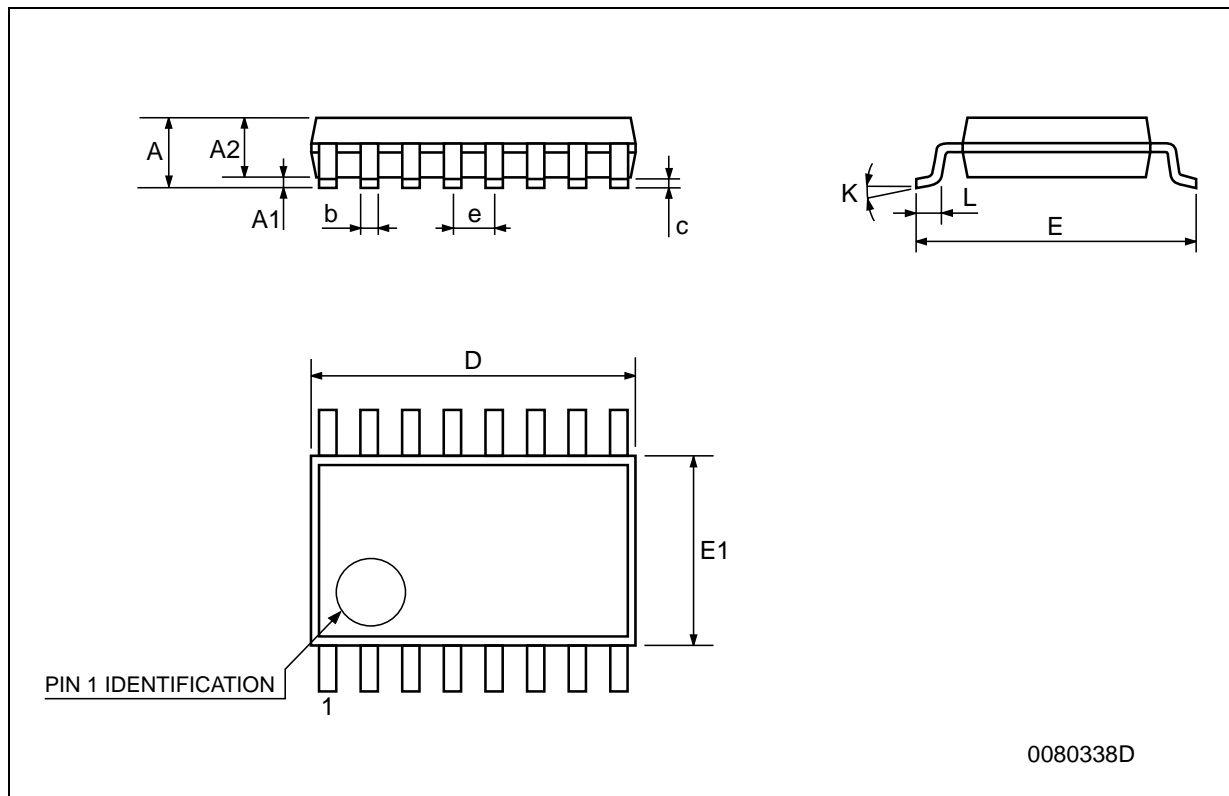
DIM.	mm.			inch		
	MIN.	TYP.	MAX.	MIN.	TYP.	MAX.
A			1.75			0.068
a1	0.1		0.2	0.003		0.007
a2			1.65			0.064
b	0.35		0.46	0.013		0.018
b1	0.19		0.25	0.007		0.010
C		0.5			0.019	
c1	45° (typ.)					
D	9.8		10	0.385		0.393
E	5.8		6.2	0.228		0.244
e		1.27			0.050	
e3		8.89			0.350	
F	3.8		4.0	0.149		0.157
G	4.6		5.3	0.181		0.208
L	0.5		1.27	0.019		0.050
M			0.62			0.024
S	8° (max.)					



PO13H

TSSOP16 MECHANICAL DATA

DIM.	mm.			inch		
	MIN.	TYP.	MAX.	MIN.	TYP.	MAX.
A			1.2			0.047
A1	0.05		0.15	0.002	0.004	0.006
A2	0.8	1	1.05	0.031	0.039	0.041
b	0.19		0.30	0.007		0.012
c	0.09		0.20	0.004		0.0089
D	4.9	5	5.1	0.193	0.197	0.201
E	6.2	6.4	6.6	0.244	0.252	0.260
E1	4.3	4.4	4.48	0.169	0.173	0.176
e		0.65 BSC			0.0256 BSC	
K	0°		8°	0°		8°
L	0.45	0.60	0.75	0.018	0.024	0.030



Information furnished is believed to be accurate and reliable. However, STMicroelectronics assumes no responsibility for the consequences of use of such information nor for any infringement of patents or other rights of third parties which may result from its use. No license is granted by implication or otherwise under any patent or patent rights of STMicroelectronics. Specifications mentioned in this publication are subject to change without notice. This publication supersedes and replaces all information previously supplied. STMicroelectronics products are not authorized for use as critical components in life support devices or systems without express written approval of STMicroelectronics.

© The ST logo is a registered trademark of STMicroelectronics

© 2001 STMicroelectronics - Printed in Italy - All Rights Reserved
STMicroelectronics GROUP OF COMPANIES

Australia - Brazil - China - Finland - France - Germany - Hong Kong - India - Italy - Japan - Malaysia - Malta - Morocco
Singapore - Spain - Sweden - Switzerland - United Kingdom

© <http://www.st.com>