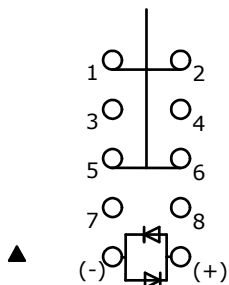
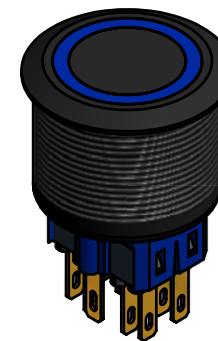
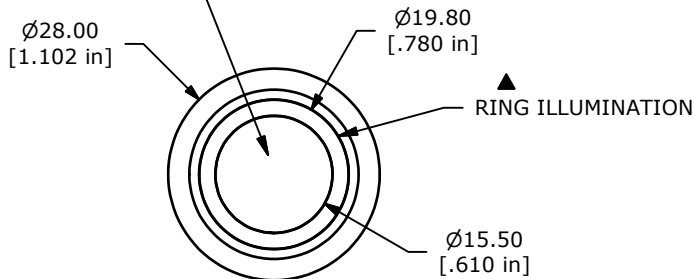


PANEL CUTOUT  
MAX. PANEL THICKNESS 10mm

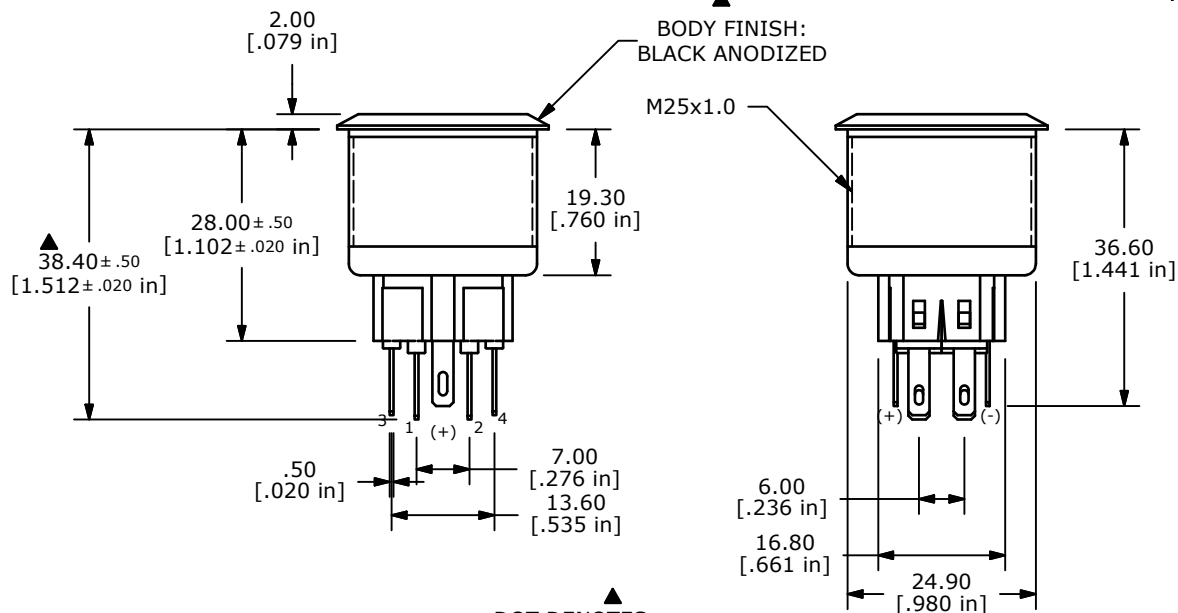
SWITCH FUNCTION	
POS. 1	POS. 2
1-2 5-6	(3-4) (7-8)

(ON) = MOMENTARY

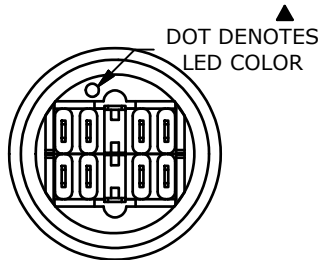
ACTUATOR FINISH:  
BLACK ANODIZED



DPDT  
CONTACT CONFIGURATION



- NOTE:
- ALL DIMENSIONS IN MM [INCH]
  - GENERAL TOLERANCE: X.X = ± 0.4  
X.XX = ± 0.25
  - TERMINAL NOS. FOR REF. ONLY
  - FUNCTION: SPDT
  - RATING: 2A @ 48VDC
  - ILLUMINATION VOLTAGE: 2.8V FORWARD, 2.8V REVERSE
  - CONTACT RESISTANCE: 50mΩ MAX. @ 1A 12VDC
  - INSULATION RESISTANCE: 1,000MΩ @ 500VDC
  - DIELECTRIC STRENGTH: 2,000VAC MIN. FOR 1 MINUTE
  - ELECTRICAL LIFE: 50,000 CYCLES
  - OPERATING TEMPERATURE: -20°C TO 55°C
  - INGRESS PROTECTION: IP65
  - SUPPLIED HARDWARE: O-RING AND HEXNUT
  - ▲ DENOTES CRITICAL PARAMETER
  - 2002/95/EC (ROHS) COMPLIANT
  - ▲ ILLUMINATION COLOR: BLUE (FORWARD), BLUE (REVERSE)
  - ▲ CONTACT PLATING: SILVER



TITLE PV8F2V011-341				
SCALE 1:1	DATE 3/3/2015	DR rc	DWG 52-PV8F2V011341	REV A

A	21793	RELEASE FOR PRODUCTION	3/3/15	rc
REV	PCR NO	DESCRIPTION	DATE	BY

THE INFORMATION CONTAINED IN THIS DOCUMENT IS PROPRIETARY TO E-SWITCH AND IS NOT TO BE COPIED OR TRANSFERRED