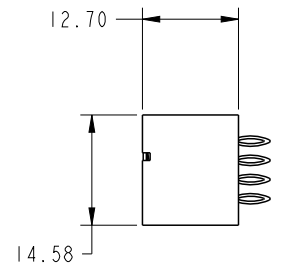
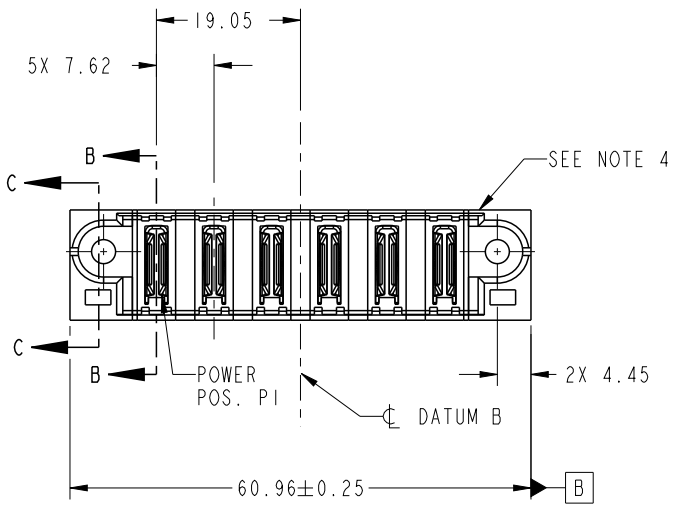




Copyright FCI.

PRODUCT NO. 51952-190-- NOTE ③	POWER						E2
	E1	P1	P2	P3	P4	P5	
	PC	PC	PC	PC	PC	PC	



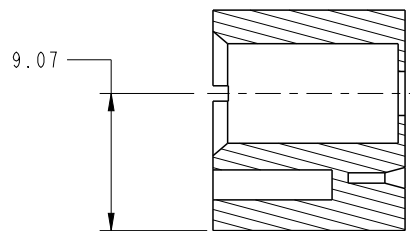
CODE	DIM "M" MATING LENGTH	CONTACT TYPE
PC	[N/A]	POWER

spec ref	SEE NOTE	dr	X Q Wang	2011/05/26	projection 	MM 	size	A4	scale	1:1
tolerance std	TOLERANCES UNLESS OTHERWISE SPECIFIED	eng	X Q Wang	2011/09/28			ecn no	-		
SEE NOTE		chr	-	-			rel level	Released		
surface	linear	0.X	±0.5	 title 6ACP VERTICAL PRESS FIT HEADER www.fci.com	product family	PwrBlade	rev	A		
		0.XX	±0.25		cat. no.	-	Product - Customer Drw	sheet 1 of 4		
	angular	0°	±2°		dwg no	51952-190				

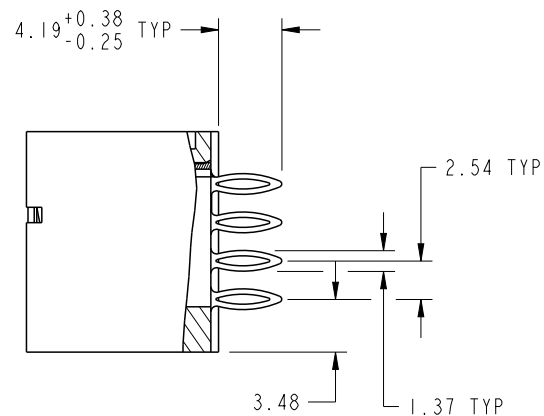
PrdrE File - REV C - 2009-06-09

PRODUCT NUMBER

51952-190__
NOTE 3



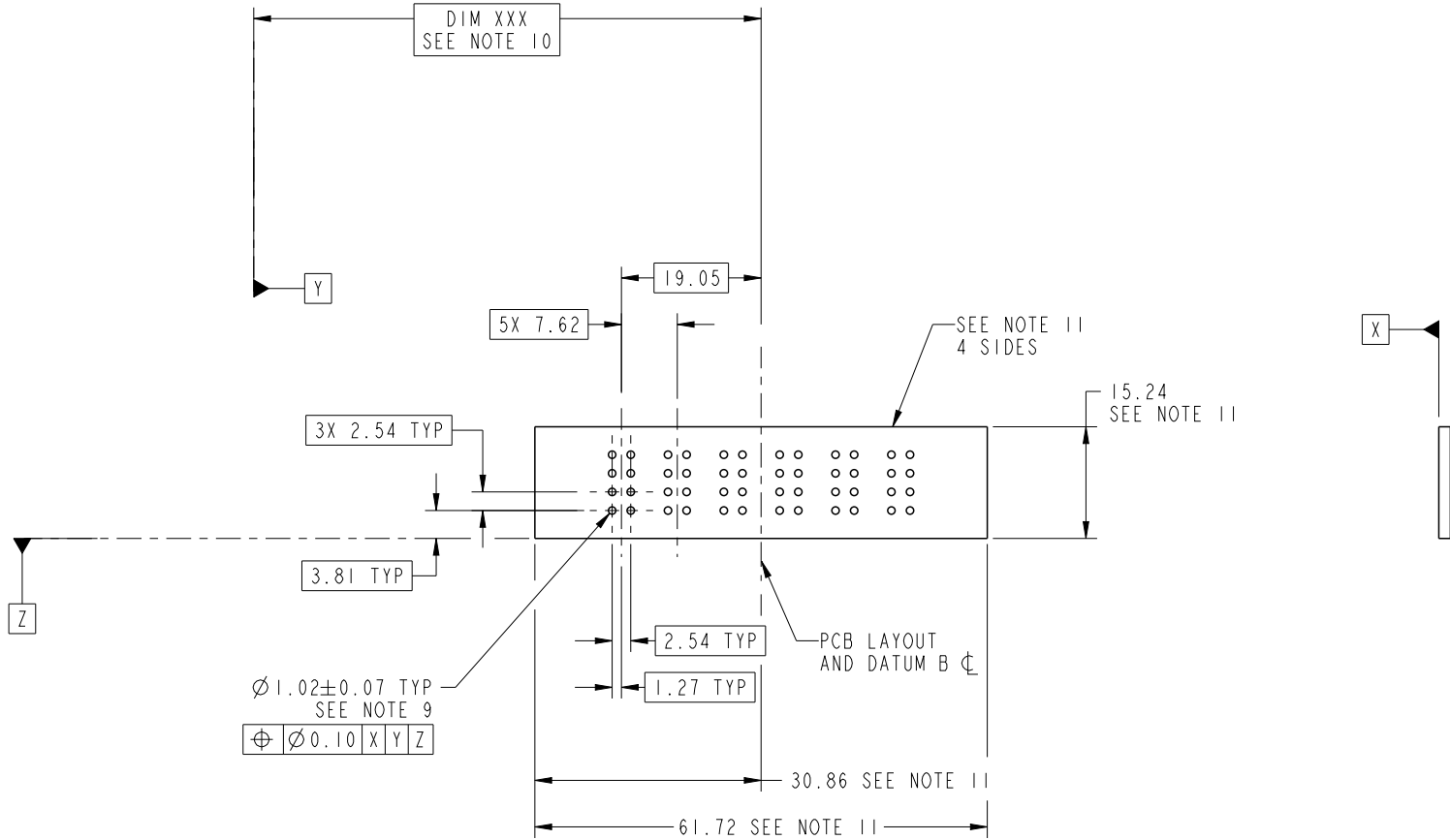
SECTION C-C
SCALE 2:1



SECTION B-B
SCALE 2:1

spec ref		SEE NOTE		dr	X Q Wang	2011/05/26	projection 	MM 	size	A4	scale	1:1
tolerance std		TOLERANCES UNLESS OTHERWISE SPECIFIED		eng	X Q Wang	2011/09/28			ecn no	-		
SEE NOTE				chr	-	-			rel level		Released	
surface	✓	linear	0.X	±0.5		title	6ACP	dwg no	51952-190	rev	A	
			0.XX	±0.25								
			0.XXX	±0.1								
angular	0°	±2°	www.fci.com	cat. no.	-	Product - Customer Drw	sheet 2 of 4					

PRODUCT NUMBER
51952-190__
NOTE 3



RECOMMENDED PCB LAYOUT

spec ref	SEE NOTE			dr	X Q Wang	2011/05/26	projection 	MM ←→	size	A4	scale	1:1	
tolerance std	TOLERANCES UNLESS OTHERWISE SPECIFIED			eng	X Q Wang	2011/09/28			ecn no	-			
SEE NOTE				chr	-	-				-			
surface	linear	0.X	±0.5	appr	Pei-Ming Zheng	2011/09/28	product family	PwrBlade		rel level	Released		
		0.XX	±0.25				title	6ACP		dwg no	51952-190	rev	A
		0.XXX	±0.1				cat. no.	-	Product - Customer Drw			sheet 3 of 4	
	angular	0°	±2°	www.fci.com				Product - Customer Drw		sheet 3 of 4			

PRODUCT NUMBER

51952-190__
NOTE 3

NOTES:

1. DIMENSIONS AND TOLERANCES ARE IN ACCORDANCE WITH ASME Y14.5M, 1994 UNLESS OTHERWISE SPECIFIED.

CONNECTOR NOTES:

- ② HOUSING MATERIAL: UL 94 V-0 GLASS FILLED HIGH-TEMP THERMOPLASTIC
POWER CONTACT MATERIAL: COPPER ALLOY
SIGNAL PIN MATERIAL: COPPER ALLOY
 - 3. SEE ITEM 3 & 4 IN PRINT 10064183 FOR PLATING SPEC OF 51952-190 AND 51952-190LF RESPECTIVELY.
 - ④ MANUFACTURER'S NAME, DATE CODE AND OPTIONAL P/N TO APPEAR ON THIS SURFACE. THE P/N CAN BE OMITTED IF THERE IS NOT ENOUGH SPACE ON THIS SURFACE.
 - 5. PRODUCT SPECIFICATION GS-12-149.
APPLICATION SPECIFICATION BUS-20-067.
 - 6. PACKAGED IN TRAYS.
- PCB NOTES:
- 7. ALL HOLE DIAMETERS ARE FINISHED HOLE SIZE.
 - 8. MOUNTING HOLES, WHERE APPLICABLE, ARE UNPLATED.
 - ⑨ $\varnothing 1.151 \pm 0.025$ DRILLED HOLES PLATED WITH 0.008 MIN SnPb OR Sn OVER .001 [0.03] TO 0.08 Cu PLATING TO ACHIEVE $\varnothing 1.02 \pm 0.07$ HOLE.
 - ⑩ "DIM XXX" TO BE DETERMINED BY THE CUSTOMER.
 - ⑪ CONNECTOR KEEP-OUT ZONE.
12. FOR PRESS FIT APPLICATION USE FCI CAM TOOL 430169-XXX.

spec ref	SEE NOTE			dr	X Q Wang	2011/05/26	projection 	MM 	size	A4	scale	1:1			
tolerance std	TOLERANCES UNLESS OTHERWISE SPECIFIED			eng	X Q Wang	2011/09/28			ecn no	-					
SEE NOTE				chr	-	-			product family	PwrBlade		rel level	Released		
surface	linear	0.X	± 0.5		title	6ACP		dwg no	51952-190		rev	A			
		0.XX	± 0.25			www.fci.com	cat. no.						-	Product - Customer Drw	sheet 4 of 4
		0.XXX	± 0.1												
angular	0°	$\pm 2^\circ$													



Copyright FCI.