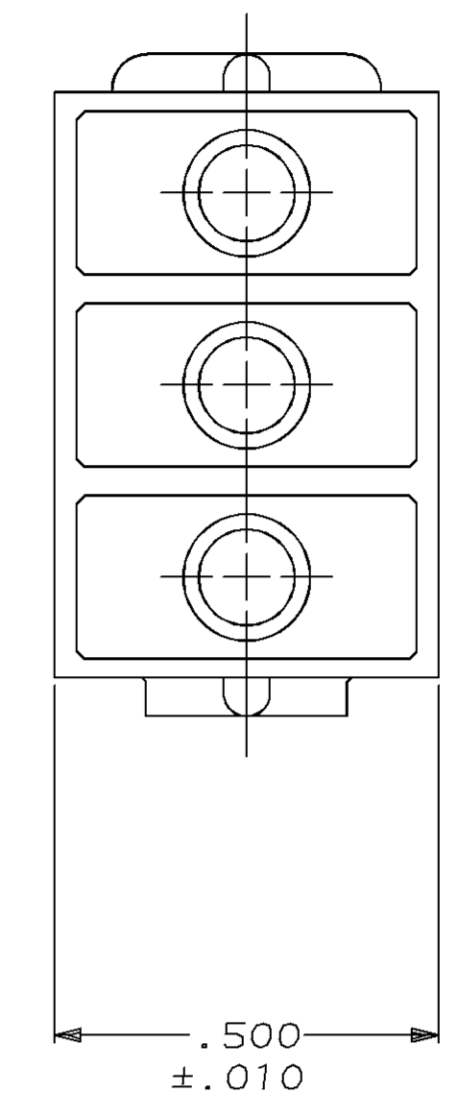
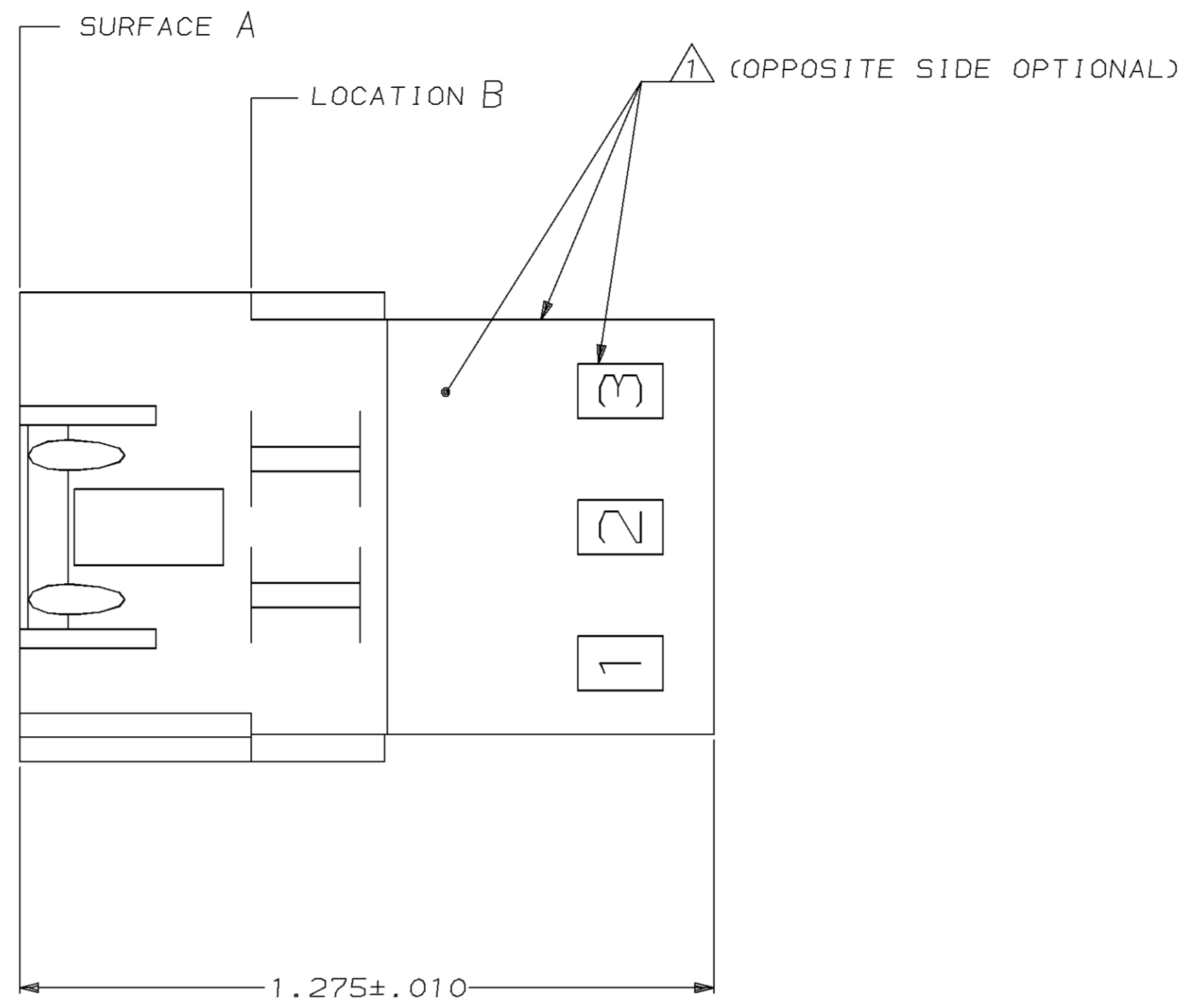
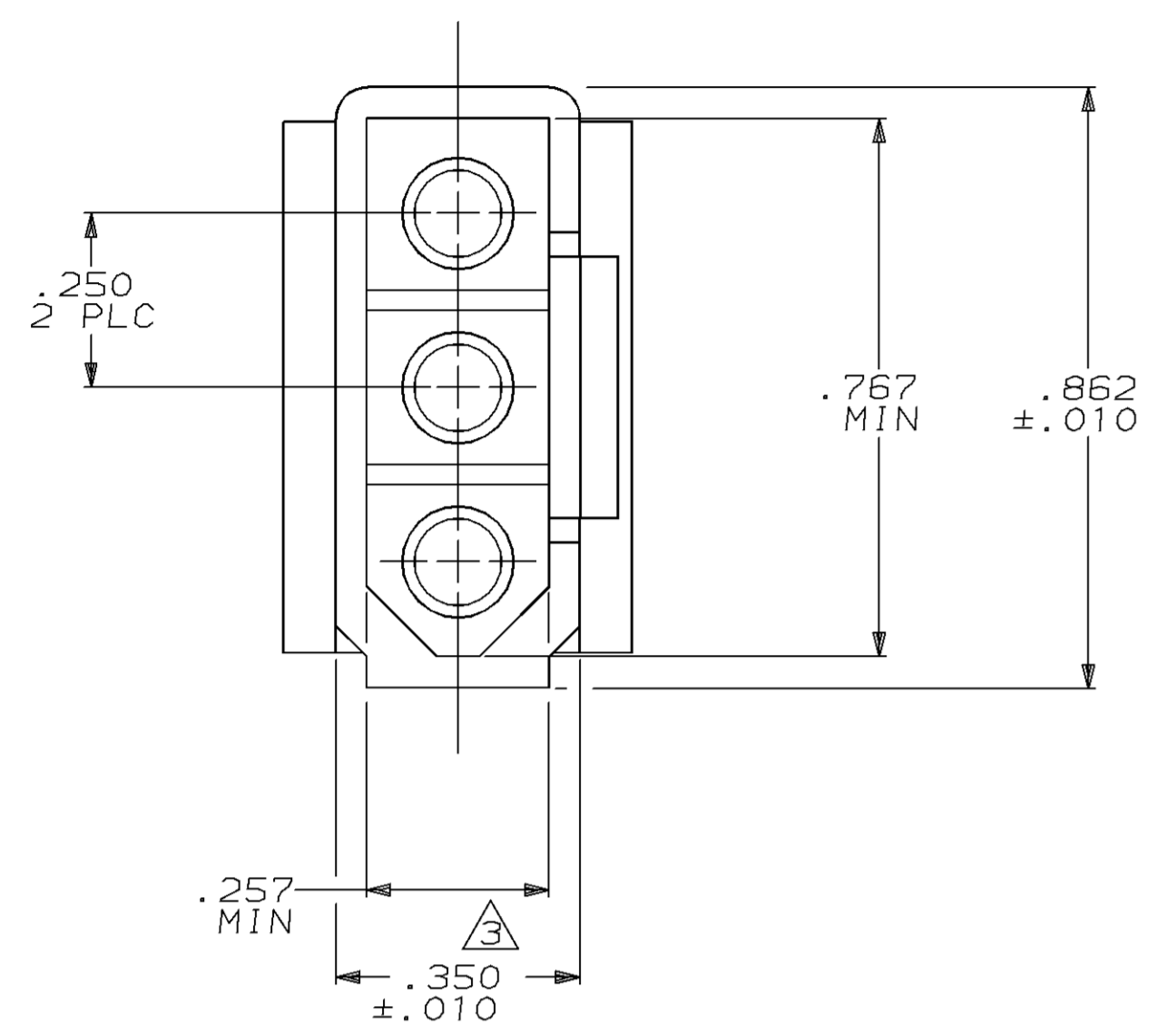
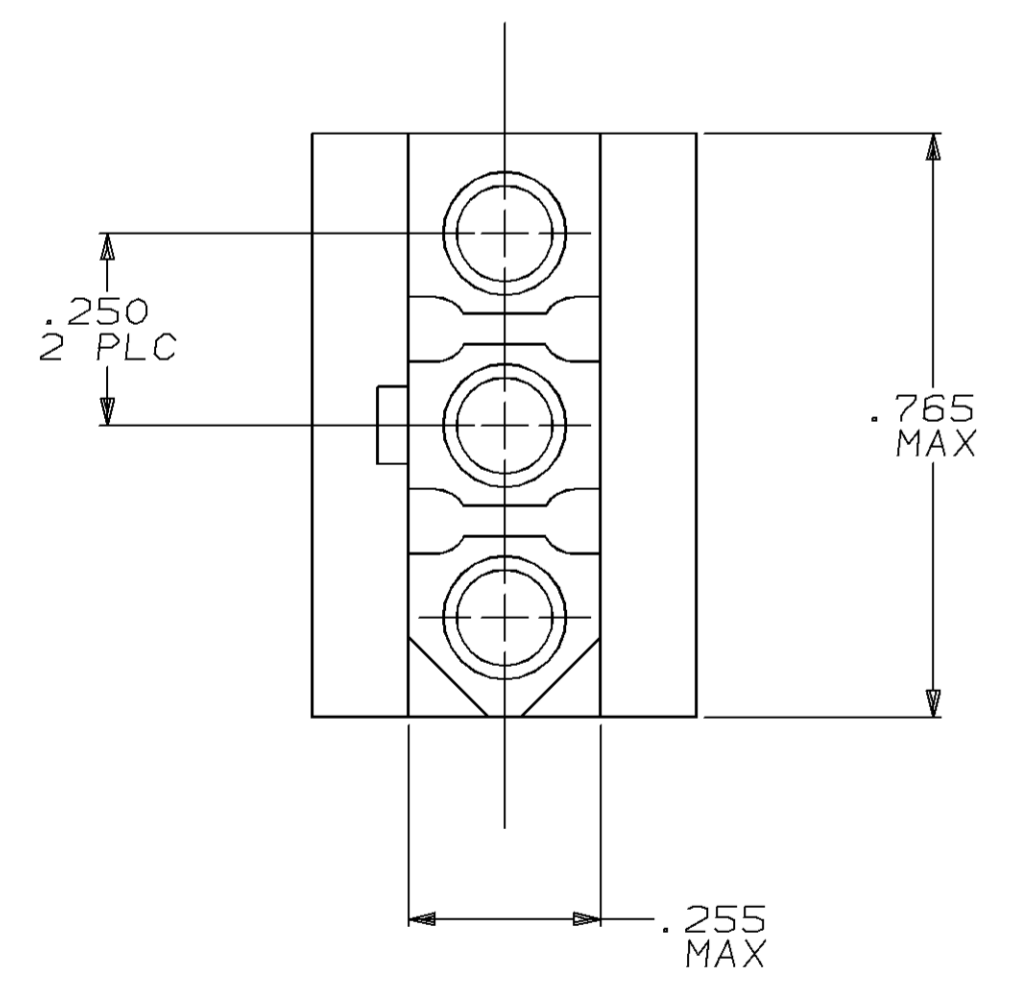


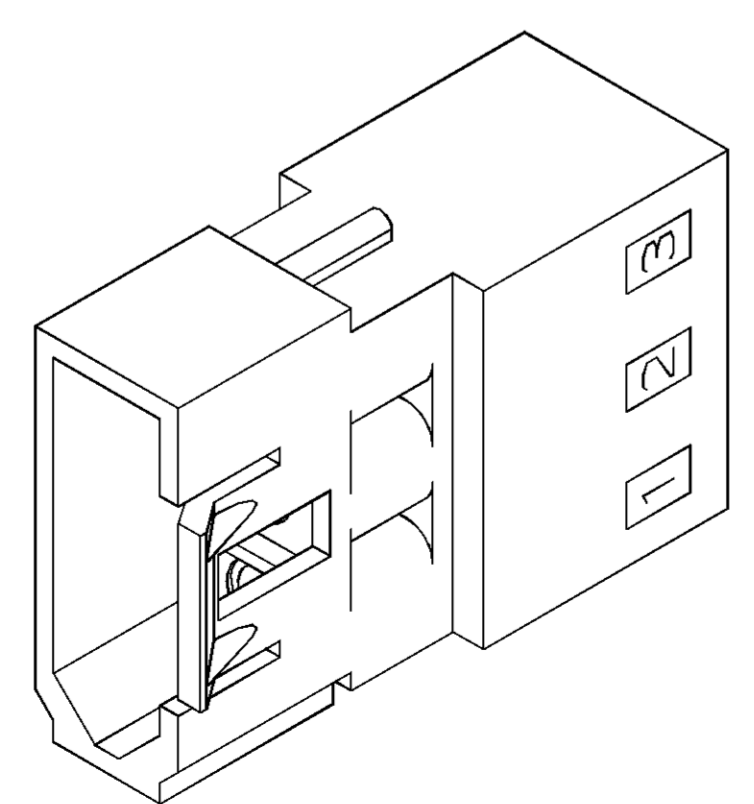
LOC		DIST		ZONE		LTR		REVISIONS		DATE	APPD
CM	53	P	F	C				REV PER EC 0730-0241-95	1-2-95	JH	RS



- ① AMP LOGO AND CIRCUIT NUMBERS LOCATED ON EITHER SURFACE.
- ② PARTS ARE DUAL WIRE COMPATIBLE.
- ③ DIMENSION APPLIES BETWEEN SURFACE A AND LOCATION B.



MATING CONNECTOR INTERFACE



3 DIMENSIONAL MODEL NTS

IN	MM	IN	MM
.350	8.89	-	-
.257	6.53	1.275	32.39
.255	6.48	.862	21.89
.250	6.35	.767	19.48
.010	0.25	.765	19.43
.005	0.13	.500	12.70

CONVERSION TABLE



DO NOT SCALE PRINT. UNLESS SPECIFIED DIMENSIONS IN INCHES TOLERANCES ON:		DR K. WHITAKER 10-27-88	770450-1 PART NO	
2 PLC DEC ± -	3 PLC DEC ± .005	CHK R. SWING 10-27-88	AMP INCORPORATED Harrisburg, Pa. 17105	
ANGLES ± -		APPD R. CARSON 10-27-88		
MATERIAL NYLON, UL 94V-2 NATURAL		APPD R. CARSON 10-27-88	NAME PLUG, 3 CIRCUIT, .250 PIN AND SOCKET	
FINISH	APPLICATION SPEC	SIZE D	FSCM NO 00779	DRAWING NO 770450
WEIGHT		SCALE 4:1	SHEET 1 OF 1	

CUSTOMER DRAWING