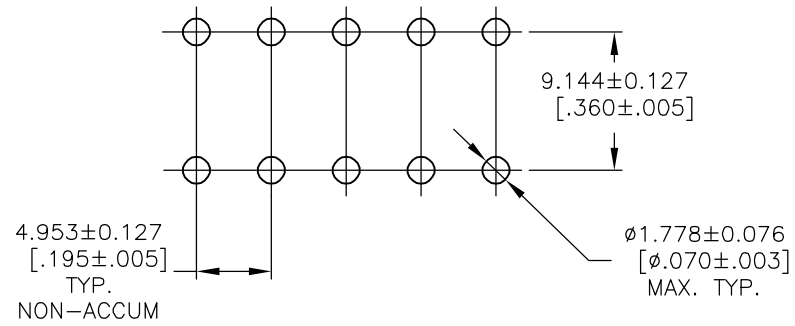
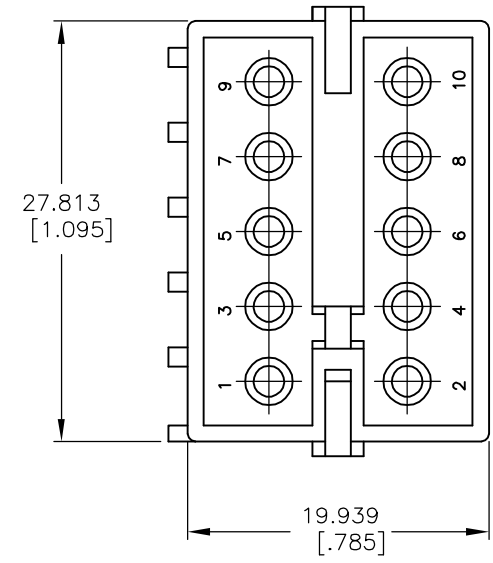
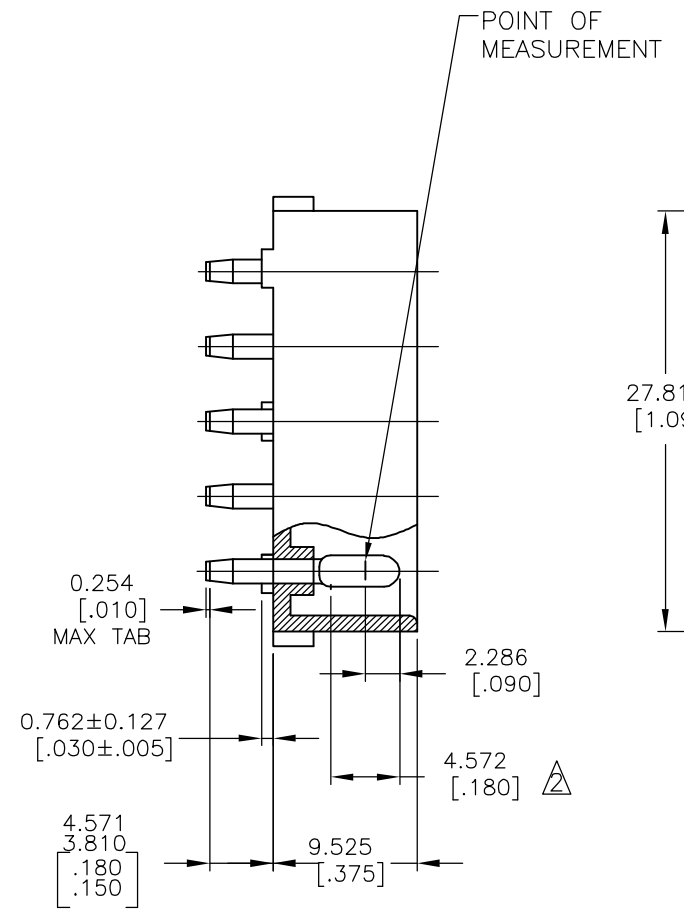
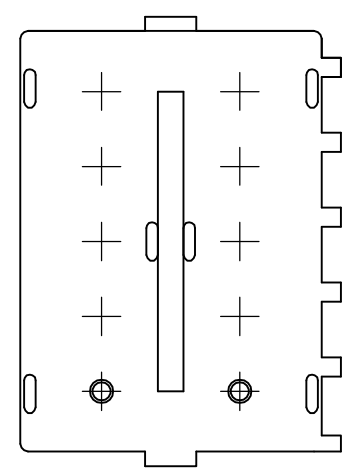


THIS DRAWING IS UNPUBLISHED. RELEASED FOR PUBLICATION
 © COPYRIGHT BY TYCO ELECTRONICS CORPORATION. ALL RIGHTS RESERVED.

LOC	DIST	REVISIONS					
CM	00	P	LTR	DESCRIPTION	DATE	DWN	APVD
		0		RELEASED PER 0G3B-1134-04	11OCT05	HMR	DC



RECOMMENDED LAYOUT FOR
 1.575 [.062] THICK P.C. BOARD

- PARTS MUST COMPLY WITH SOLDERABILITY SPEC. 109-11-3.
- CONTACT IS PLATED OVERALL WITH .000050 NICKEL, THEN .000030 GOLD OVER CONTACT LENGTH INDICATED AND MATTE TIN ON SOLDER TAIL END.

2-1586544-0	NYLON-NATURAL	COPPER ALLOY-GOLD ⚠
ASSEMBLY NO.	HSG, MATL& COLOR	PIN MATL & FINISH

THIS DRAWING IS A CONTROLLED DOCUMENT.		DWN RAGHU 11OCT2005	 Tyco Electronics Corporation Harrisburg, PA 17105-3608
DIMENSIONS: mm [INCHES]		CHK K. WHITAKER 18OCT2005	
TOLERANCES UNLESS OTHERWISE SPECIFIED:		APVD D. COLEY 18OCT2005	
0 PLC ± - 1 PLC ± - 2 PLC ± - 3 PLC ± - 4 PLC ± - ANGLES ± -		PRODUCT SPEC	
MATERIAL SEE TABLE		FINISH SEE TABLE	NAME 10 CIRCUIT COMMERCIAL MATE-N-LOK (TM) HEADER
			SIZE A3 CAGE CODE 00779 DRAWING NO C-1586544 RESTRICTED TO -
			WEIGHT -
			CUSTOMER DRAWING SCALE 2:1 SHEET 1 OF 1 REV 0

METRIC