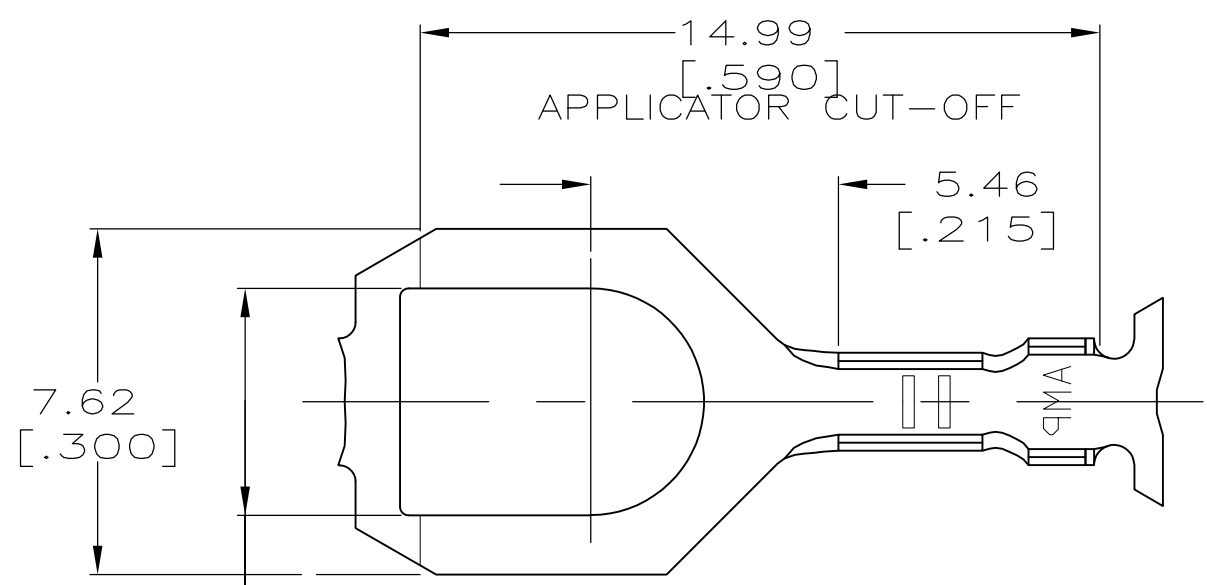
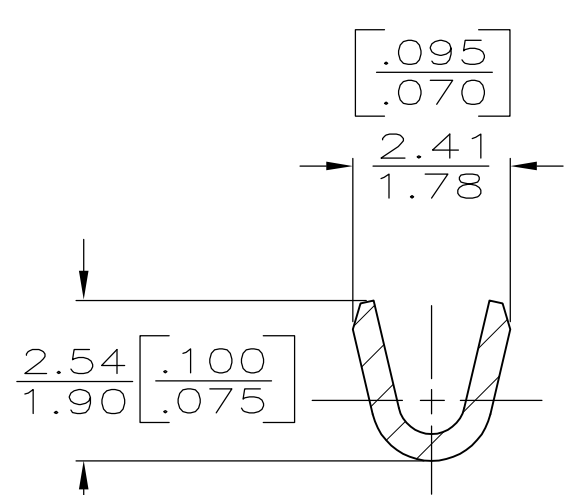
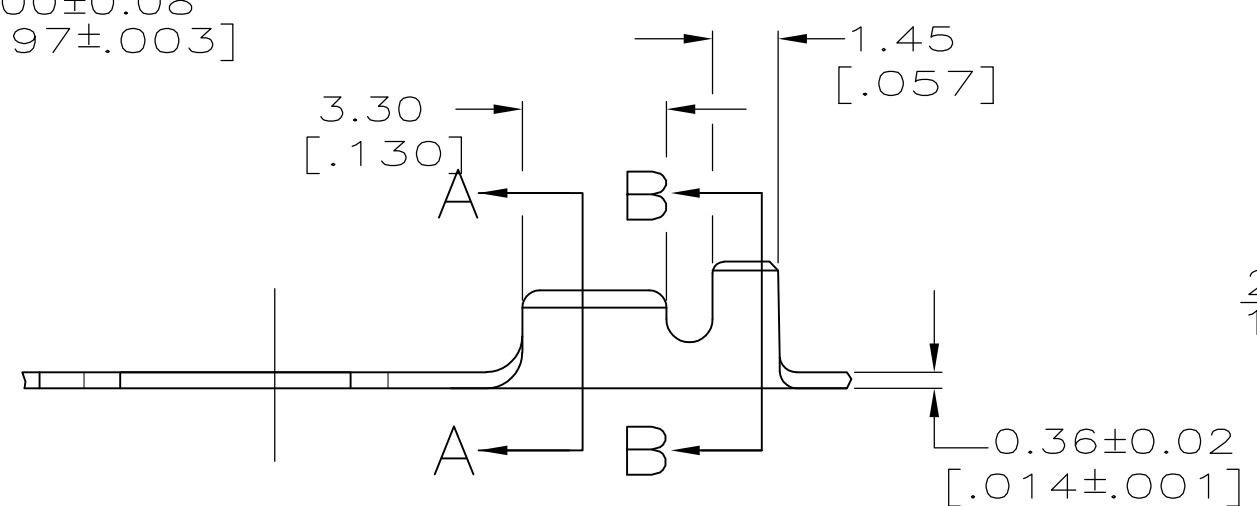


THIS DRAWING IS UNPUBLISHED. RELEASED FOR PUBLICATION
 © COPYRIGHT BY TYCO ELECTRONICS CORPORATION. ALL INTERNATIONAL RIGHTS RESERVED.

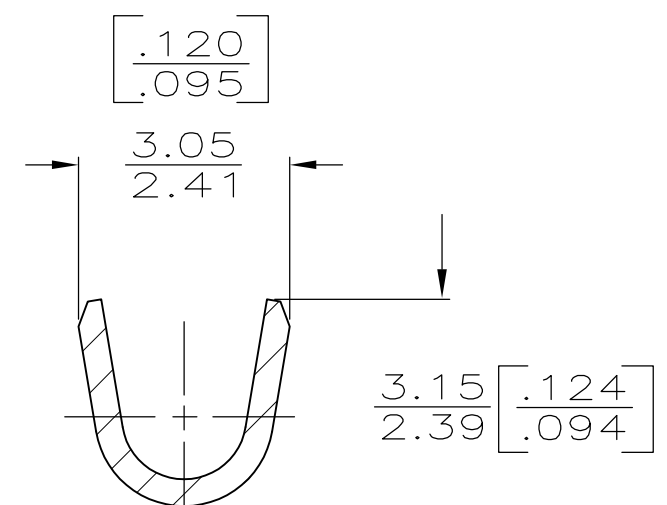
LOC	DIST	REVISIONS					
AF	50	P	LTR	DESCRIPTION	DATE	DWN	APVD
		F		REVISED PER ECR-10-006099	07JUL10	HMR	PD



1. CONTINUOUS STRIP ON REELS



SECTION A-A
SCALE 10:1



SECTION B-B
SCALE 10:1



1.22-1.98 [.048-.078]	0.2-0.6mm ² [24-20]	60501-1
INSULATION RANGE	WIRE RANGE	PART NO

0	2.29 [.090]	4.83 [.190]	F	1.57 [.062]	1.17 [.046]	0.5mm ² [20]
					1.09 [.043]	0.3mm ² [22]
					1.02 [.040]	0.2mm ² [24]
TYPE	WIDTH	STRIP LENGTH ±.015	TYPE	WIDTH	±.051 [±.002] HEIGHT	WIRE
INSUL BARREL CRIMP			WIRE BARREL CRIMP			

THIS DRAWING IS A CONTROLLED DOCUMENT.

DIMENSIONS: mm [INCHES]

TOLERANCES UNLESS OTHERWISE SPECIFIED:

0 PLC ± -
 1 PLC ± -
 2 PLC ± -
 3 PLC ± 0.38 [.015]
 4 PLC ± -
 ANGLES ± -

MATERIAL: 1/2 HARD BRASS
 FINISH: TIN

DWN P FORTNEY 1/29/90	Tyco Electronics Tyco Electronics Corporation Harrisburg, PA 17105-3608
CHK MS FEHER 1/31/90	
APVD G YETTER 2/2/90	
PRODUCT SPEC	NAME: SPADE
APPLICATION SPEC	
WEIGHT: -	SIZE: A3 CAGE CODE: 00779 DRAWING NO: C-60501 RESTRICTED TO: -
CUSTOMER DRAWING	SCALE: 6:1 SHEET: 1 OF 1 REV: F