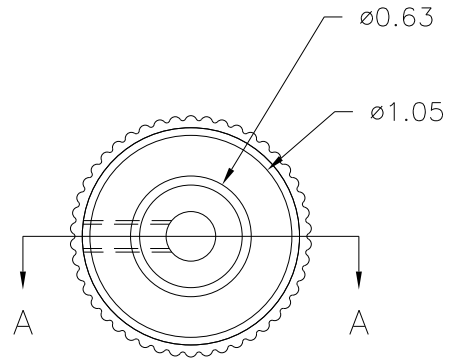
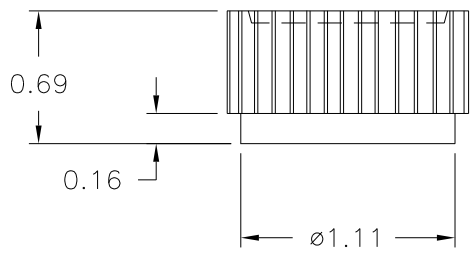
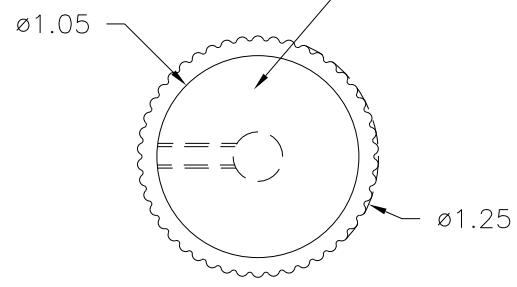
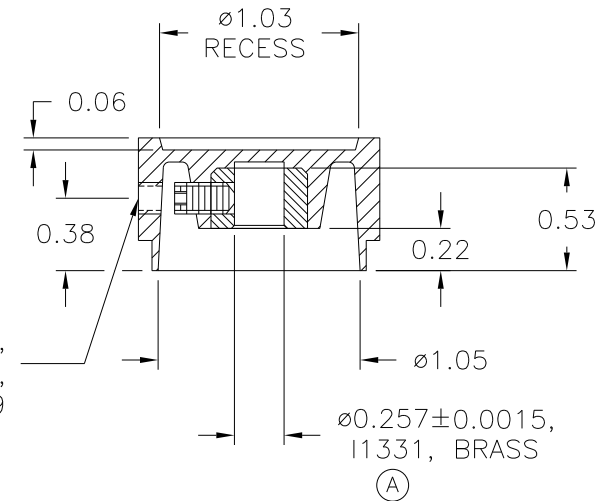


TEXTURED TOP SURFACE (RE-6627)



SECTION A-A



USE #28 DRILL (0.140), #8-32 TAP, #8-32 X 5/16 LG. CUP POINTED, HEADLESS, SOCKET TYPE, SET SCREW, I0249

MATERIAL: ABS
 COLOR: BLACK

TOLERANCES: UNLESS OTHERWISE SPECIFIED	DO NOT SCALE DRAWING	A	WAS I1317	JAM	9/13/13
DECIMALS: X.XXX ± .005 X.XX ± .015	MM: X.XX ± 0.15MM X.X ± 0.4MM	-	UPDATED/HAD TOOLBOX	ST	5/2/2000
FRACTIONS ± 1/64	ANG. ± 1°	-	CAD/REDRAWN	HD	8/17/92
CHANGES					