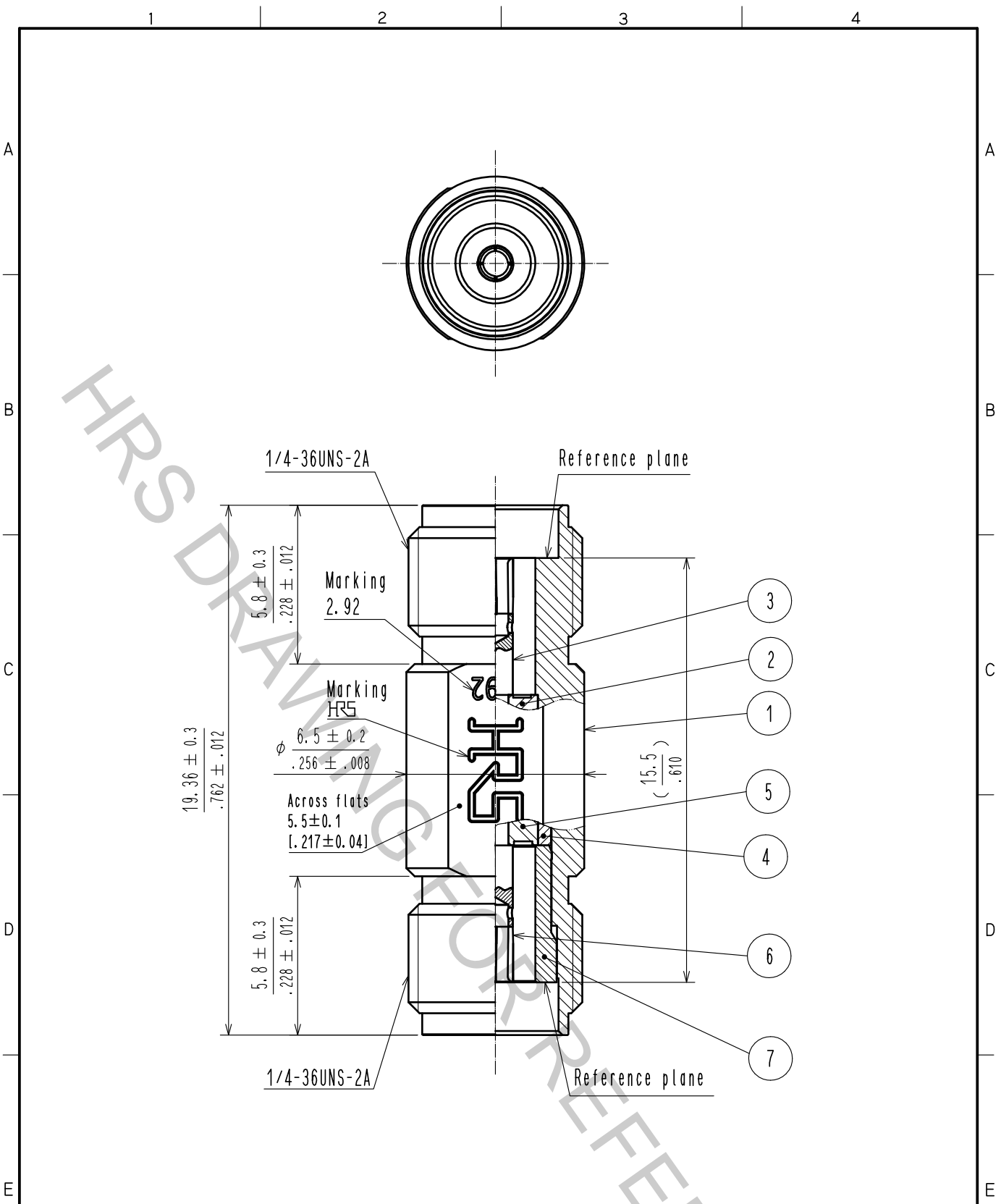


Aug.1.2018 Copyright 2018 HIROSE ELECTRIC CO., LTD. All Rights Reserved.  
 In case that the application demands a high level of reliability, such as automotive,  
 please contact a company representative for further information.



RoHS Compliant

| 4   | Stainless steel  | Gold plated |         | 7   | Stainless steel  | Gold plated |         |
|-----|------------------|-------------|---------|-----|------------------|-------------|---------|
| 3   | Beryllium copper | Gold plated |         | 6   | Beryllium copper | Gold plated |         |
| 2   | PTFE             |             |         | 5   | PPO              |             |         |
| 1   | Stainless steel  | Passivate   |         |     |                  |             |         |
| NO. | MATERIAL         | FINISH      | REMARKS | NO. | MATERIAL         | FINISH      | REMARKS |

|                           |  |                |           |                                 |                              |         |      |
|---------------------------|--|----------------|-----------|---------------------------------|------------------------------|---------|------|
| UNITS<br>mm               |  | SCALE<br>5 : 1 | COUNT<br> | DESCRIPTION OF REVISIONS        | DESIGNED                     | CHECKED | DATE |
| HIROSE ELECTRIC CO., LTD. |  |                |           | APPROVED : KY. SHIMIZU 17.03.15 | DRAWING NO. EDC-374782-00-00 |         |      |
|                           |  |                |           | CHECKED : KY. SHIMIZU 17.03.15  | PART NO. HK-A-JJ             |         |      |
|                           |  |                |           | DESIGNED : TY. OZAKI 17.03.15   | CODE NO. CL338-0098-0-00     |         |      |
|                           |  |                |           | DRAWN : TY. OZAKI 17.03.15      | 1/1                          |         |      |